

COLUMBIA Par-Car 

Parts Catalog

1996 Through 2000

Gasoline and Electric
Golf and Industrial
Vehicles

COLUMBIA ParCar 

350 N. Dewey

P.O. Box 30

Reedsburg, WI 53959

Phone (608) 524-8888

Toll-Free (800) 222-GOLF (4653)

Fax (608) 524-8380

Web www.parcars.com

E-Mail techsupport@parcars.com

GENERAL INFORMATION

This Parts Catalog has been prepared for your convenience when ordering parts for Gasoline or Electric ParCar® Models P4G, P4E, E4S, G4S, FE, FG, Columbia® Utilitruck® GU4, GUXB, EU4, EUXB, EU2400, EU2400XB, ED4 and GD4, Columbia Shuttlesm C6E, C6G, Columbia Tram C10E, 911 Ambulance, and Neighborhood Electric Vehicles. Item numbers shown in the illustrations correspond to item numbers in the parts list. Consult the illustration when ordering parts so you are sure to get just what you want. In most cases, only the latest parts are shown in the illustrations.

Numbers following the description of the parts is the quantity needed for complete assembly shown in illustration.

Prices of parts and accessories listed in this catalog are published separately.

The following instructions should be followed carefully when ordering parts:

- Specify the correct part number for each item. Whenever in doubt about the model and year, please refer to the Vehicle Identification Number (VIN).
- The VIN is located on the driver's side top rear fender on all vehicles except utility vehicles, where it is located on the steel body at the passenger's feet. The VIN for the gasoline/electric vehicle models are as follows:

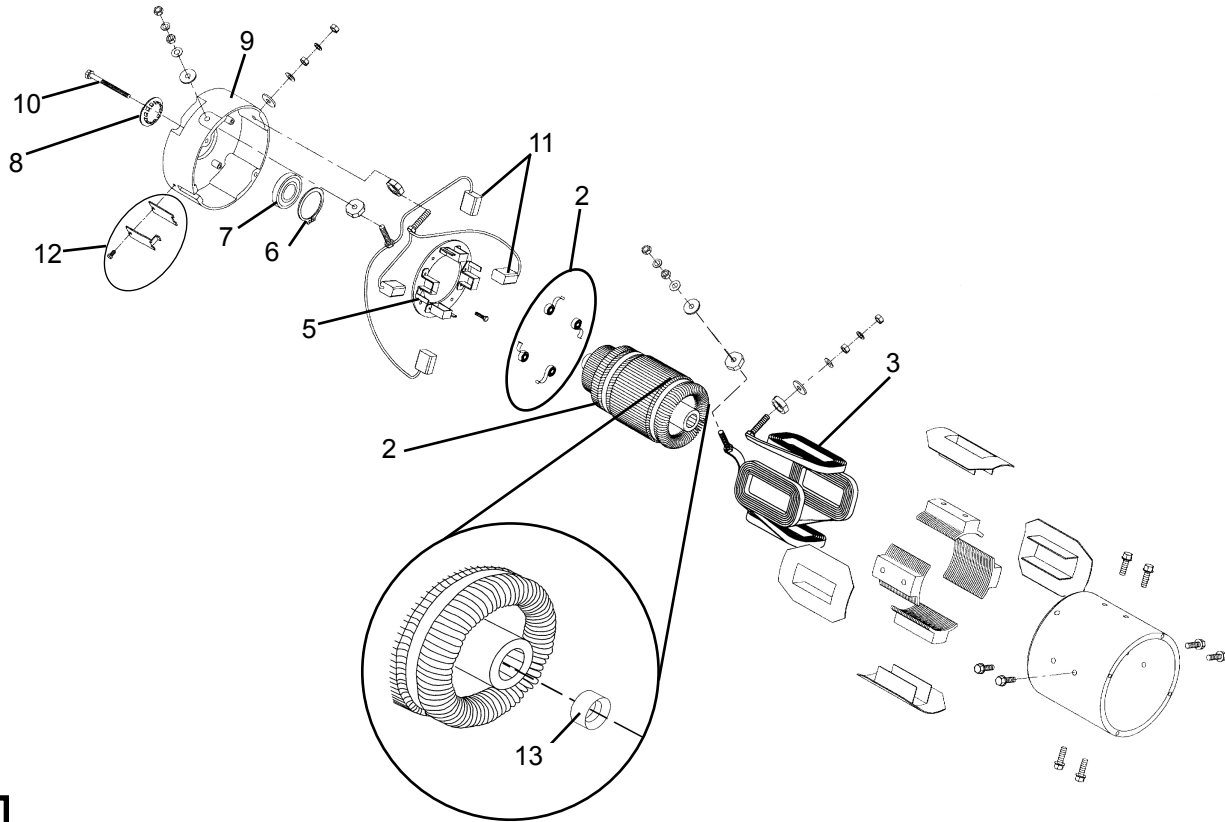
Model	First Two VIN Digits	Model ID	Model	First Two VIN Digits	Model ID
Eagle	8E	P4G	Shuttle	8S	C6G
	4E	P4E		4S	C6E
	5E	P4E+		3S	C6EPM
	3E	P4EPM		9S	C6G13HP
Foursome	8F	FG	Tram	4H	C10E
	9F	FG13HP		9H	C10G13HP
	4F	FE	911 Ambulance	4Z	911E
	5F	FE+		8Z	911G
	3F	FEPM			
Utilitruck	8U	GU4	Utilidump	8D	GD4
	8X	GU4XB		9D	GD413HP
	9U	GU413HP		4D	ED4
	9X	GUXB13HP			
	9J	GU240013HP			
	9N	GU2400XB13HP			
	4U	EU4			
	4J	EU2400			
	4X	EUXB			
	4N	EU2400XB			

- Part numbers are to be used when ordering replacement parts. To place a parts order call 800-222-4653, fax your order to 608-524-8380, or mail orders to P.O. Box 30, Reedsburg, WI 53959, Attention Parts Department.

INDEX

Section 1 Electric Power Train	PG	Section 7 Electrical Systems	PG
Traction Motor, XP	1-1	Batteries and Hardware.....	7-1
Traction Motor, PM	1-2	Electrical Wiring XP	7-2
Rear Axle, Differential (Electric)	1-3	Electrical Wiring XP+	7-4
Rear Axle, Differential (HD Electric)	1-5	Electrical Wiring PM	7-6
Section 2 Gas Power Train		Electrical Wiring Gas	7-8
Piston, Crankshaft, Crankcase	2-1	Solenoid Bank XP+	7-10
Cylinder Head,	2-3	Solenoid Bank XP	7-12
Gasket Set,	2-5	Speed Switch Assy., XP+	7-13
Ignition and Fan,	2-7	Section 8 Body and Seats	
Carburetor, Mikuni	2-9	Bag Holders (Square Tube Support)	8-1
Air Intake	2-11	Bag Holders (Round Tube Support)	8-2
Fuel Tank & Pump	2-12	Bag Holder (G4S, E4S)	8-3
Exhaust Systems	2-13	Bag Holder Angled	8-4
Starter, Generator	2-17	Rear Body Sound Package	8-5
Forward/Reverse Shifter	2-20	Front Console	8-7
Rear Transaxle, Gasoline	2-24	Clam Shell Body, Seats, Handrails (P4E, P4G)	8-9
Rear Transaxle, Gasoline Heavy Duty	2-26	Rear Body, Seats, Handrails (G4S, E4S, E4S+)	8-11
Transmission, Primary Drive	2-28	Rear Body, Seats, Handrails (C6E, C6G)	8-13
Transmission, Secondary Drive	2-29	Rear Body, Seats, Handrails (FE, FG)	8-15
Section 3 Accelerator Linkage		Rear Body, Seats, Handrails (EU4, GU4)	8-17
Accelerator Assembly (96-99)	3-1	Rear Body, Dumpbox, Seats, Handrails (FE, FG)	8-19
Accelerator Assembly (99-00)	3-3	Rear Bumper	8-21
Governor, Accelerator	3-5	Section 9 Options	
Section 4 Brakes		Steel Cargo Box	9-1
Brake Assembly, Mechanical	4-1	Wood Cargo Box	9-2
Brake Linkage, Mechanical	4-2	Raindrain Suntop	9-3
Hydraulic Brake, Front Mount	4-3A	Rear Facing Seat Assy	9-4
Hand Park Brake (93-98)	4-4	Section 10 Common Hardware	
Hand Park Brake (98-00)	4-5	Common Hardware	10-1
Drum Brake, Hydraulic	4-6	INDEX OF TERMS	
Disc Brakes, Hydraulic	4-7	<u>Abbreviation = Definition</u>	
Brake Calipers, Front & Rear	4-9	AS = As Required	
Section 5 Steering and Front Suspension		Assy. = Assembly	
Steering Gear Assembly (96 - 00)	5-1	Blk = Black	
Steering Gear Assembly (00 and Newer).....	5-2	" = Inches	
Steering Wheel and Column (96 - 99).....	5-3	' = Feet	
Steering Wheel and Column (Flex Shaft)	5-4	Dia. = Diameter	
Steering Wheel and Column (Solid Shaft)	5-5	DOT = Department of Transportation	
Wheel, Hub, Tire, Rim	5-6	Hz = Hertz	
Front Suspension (96 - 97)	5-7	HD= Heavy Duty	
Front Suspension (97 - 00)	5-9	ID = Inside Diameter	
Section 6 Frame and Rear Suspension		Incl. = Include(s)(ed)	
Rear Suspension, Electric	6-1	LH = Left Hand	
Rear Suspension, Gas	6-2	OD = Outside Diameter	
Rear Suspension, Gas	6-3	RH = Right Hand	
Frames	6-4	V = Volt (s)	
		VIN = Vehicle Identification Number	

TRACTION MOTOR, XP - ALL ELECTRIC VEHICLES

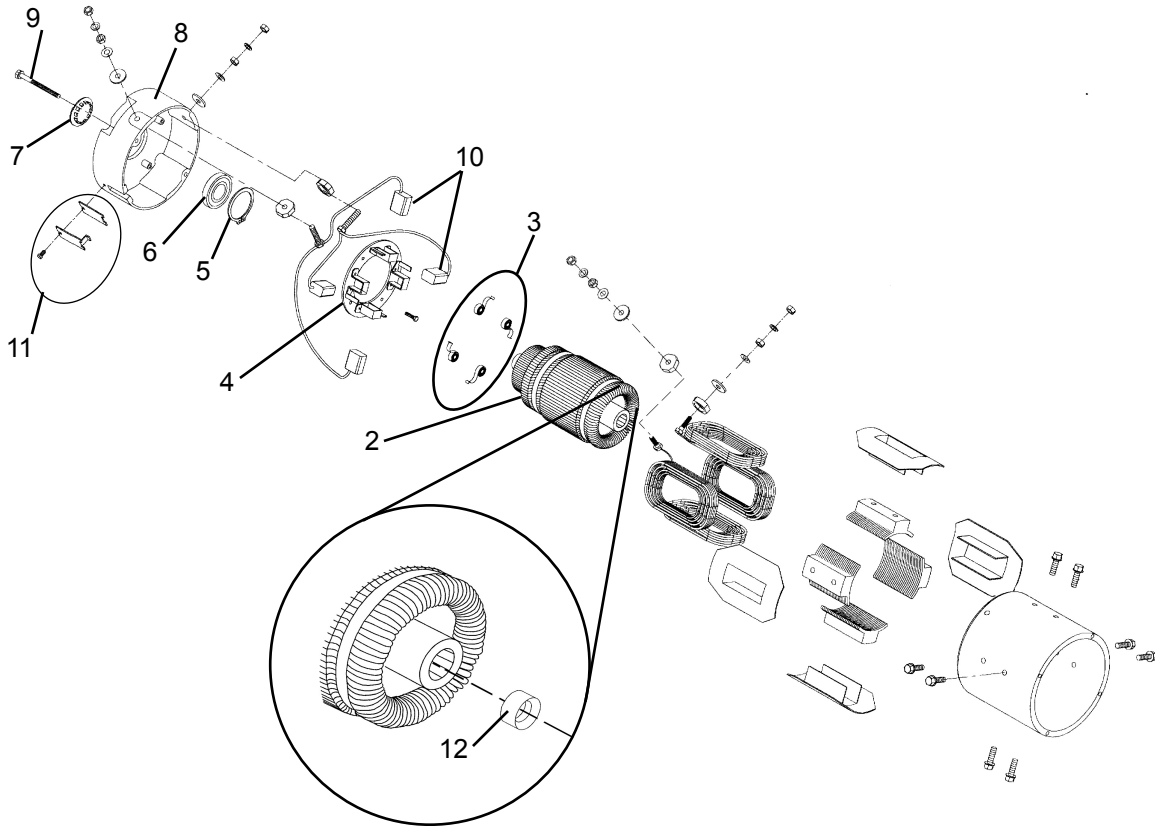


1

ITEM NO.	PART NO.	DESCRIPTION	QTY.	Beginning V.I.N. to Ending V.I.N.
1	69200-89A	Motor Complete, (XP, 3.2 Horsepower) (Incl. Items 2-13)	1	4E-25001-D6 to 4E-28133-D8
2	83281-89A	Armature Assy.	1	5E-27001-D7 to _____
3	83282-89A	Coil, Field, With Hardware	1	4C-25001-D6 to 4C-25037
4	83287-89A	Spring, Brush	4	5C-25001 to 5C-25016
5	83284-89A	Plate, Brush with Springs	1	4U-25001 to _____
6	83285-89A	Ring, Retaining	1	4D-25001 to _____
7	83286-89A	Bearing	1	4S-25001 to _____
8	83290-89A	Plug, Motor End Cap	1	4F-25100 to _____
9	83288-89A	End Cap, Motor	1	5F-25100 to _____
10	83291-89A	Bolt, End Cap	2	4X-25001 to _____
11	83283-89A	Replacement Brush Set	1	4J-27001 to _____
12	N/A	Cover Plate Assy	1	4N-25001 to _____
13	11423	Resilient Bumper, Electric Motor	1	4H-25000 to _____
				5FD-30005 to _____
				4DD-30000 to _____
				4SD-30000 to _____
				4HD-30000 to _____
				5EE-11000-E0 to _____
				5ED-11000-E0 to _____

* Not Pictured in Illustration

TRACTION MOTOR, PM - POWER MASTER VEHICLES

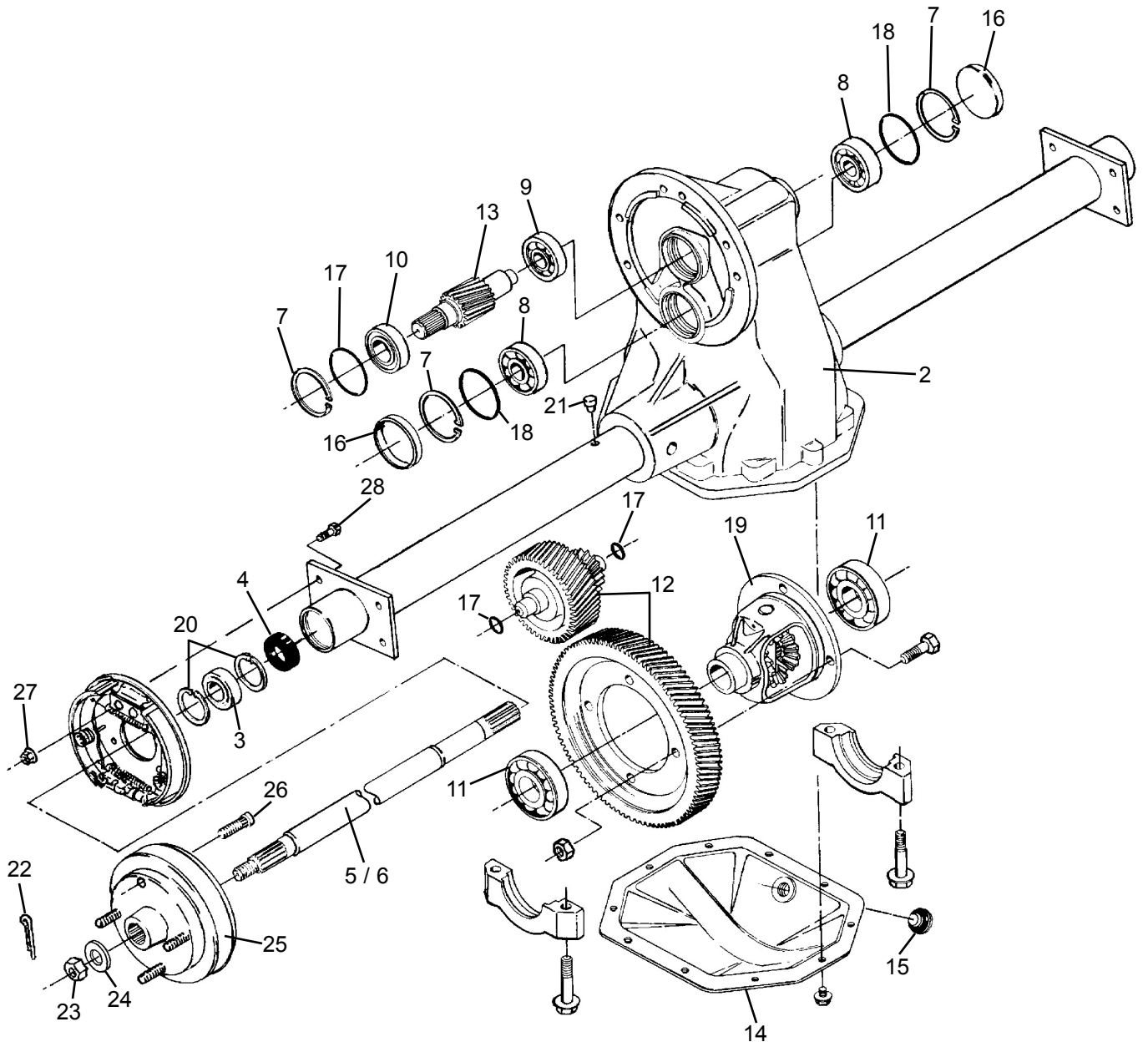


1

ITEM NO.	PART NO.	DESCRIPTION	QTY.	Beginning V.I.N. to Ending V.I.N.
1	69300-97	Motor Complete, (PM, 3.2 Horsepower) (Incl. Items 2-13)	1	
2	83281-89A	Armature Assy.	1	3E-21842- D8 to _____
3	83287-89A	Spring, Brush	4	3F-25100 to _____
4	83284-89A	Plate, Brush with Springs	1	3S-25100 to _____
5	83285-89A	Ring, Retaining	1	
6	83286-89A	Bearing	1	
7	83290-89A	Plug, Motor End Cap	1	
8	83288-89A	End Cap, Motor	1	
9	83291-89A	Bolt, End Cap	2	
10	83283-89A	Replacement Brush Set	1	
11	N/A	Cover Plate Assy	1	
12	11423	Resilient Bumper, Electric Motor	1	

* Not Pictured in Illustration

REAR AXLE DIFFERENTIAL (ELECTRIC) - P4E, E4S, FE, EU4, EUXB, ED4, C6E



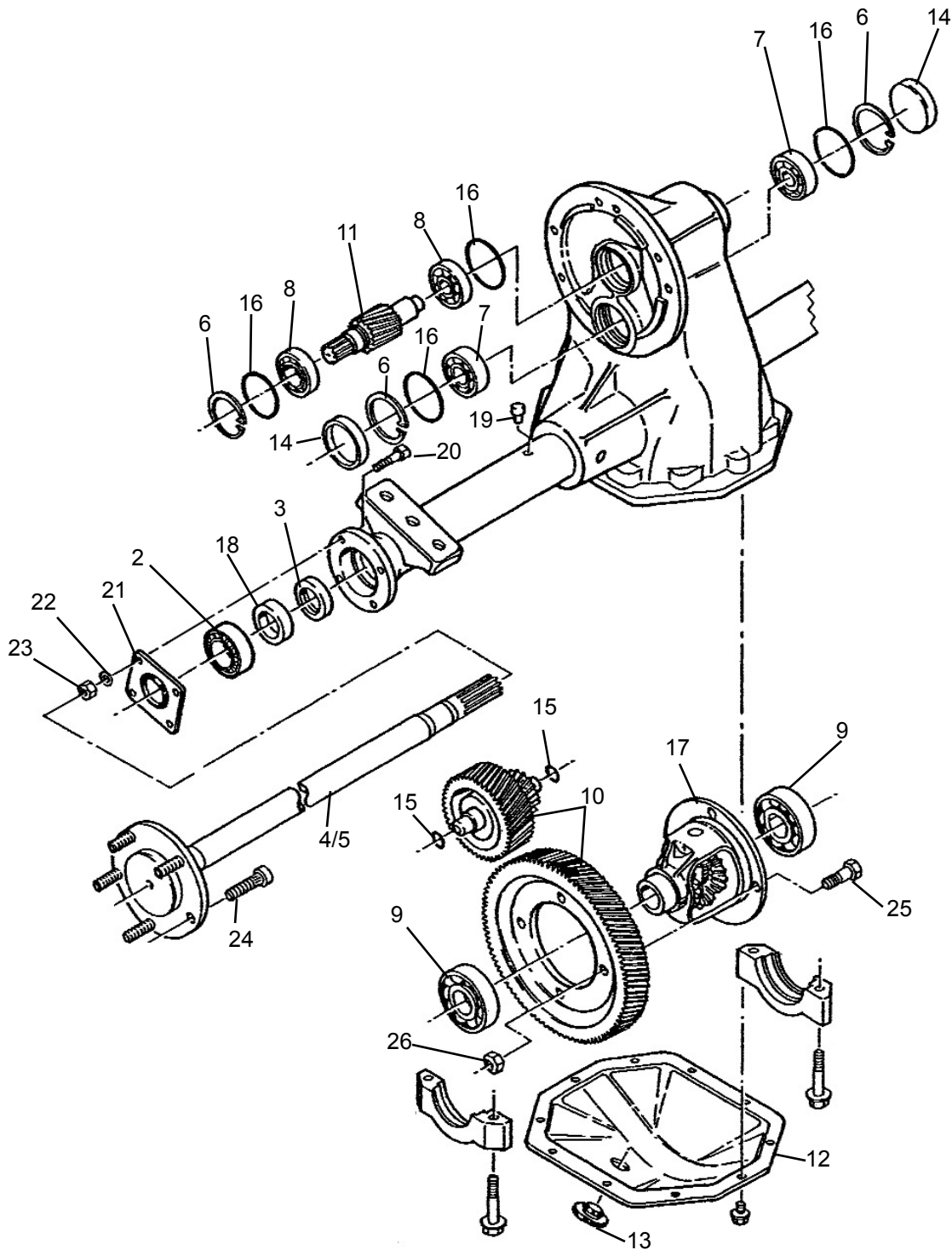
REAR AXLE DIFFERENTIAL (ELECTRIC) - P4E, E4S, FE, EU4, EUXB, ED4, C6E

ITEM NO.	PART NO.	DESCRIPTION	QTY.	Beginning V.I.N. to Ending V.I.N.
1	82802-90	Assy., Complete Differential (12.44:1 Ratio)(Std)	1	4E-25001-D6 to 4E-28133-D8
	82867-00	Assy., Complete Differential (14.76:1 Ratio)	Optional	5E-27001-D7 to _____
	82865-00	Assy., Complete Differential (19.19:1 Ratio)	Optional	3E-11000-D8 to _____
2	N/A	Housing, Axle	1	4C-25001-D6 to 4C-25037
3	82705-78	Bearing, Ball	2	5C-25001 to 5C-25016
4	82704-78	Seal, Oil	1	4U-25001 to _____
5	90001-90	Shaft, Axle LH (Long)	1	4D-25001 to _____
6	90002-90	Shaft, Axle RH (Short)	1	4S-25001 to _____
7	90006-90	Ring, Snap	2	4F-25100 to _____
8	82810-90	Set, Ball Bearing	2	5F-25100 to _____
9	90004-90	Ball Bearing, Input Gear	1	4X-25001 to _____
10	90003-90	Ball Bearing, Input Gear	1	3S-25100 to _____
11	90005-90	Ball Bearing, Differential	2	3F-25100 to _____
12	82774-99	Gear, Set (12.44:1)(Incl Items 12 & 13)	1	5FD-30005 to _____
	82775-99	Gear Set, (14.76:1)(Incl Items 12 & 13)	Optional	4DD-30000 to _____
	82776-99	Gear Set, (19.19:1)(Incl Items 12 & 13)	Optional	4SD-30000 to _____
13	83299-99	Input Gear, Assy., Kit (Incl. Items 7, 9, 10,18 and 13 (12.44:1)	1	3ED-30000-E0 to _____
	83214-00	Input Gear, Assy., Kit, Electric (Incl. Items 7, 9, 10,18 and 13 (19.19:1)	Optional	5EE-11000-E0 to _____
	83215-00	Input Gear, Assy., Kit, Electric (Incl. Items 7, 9, 10,18 and 13 (14.76:1)	Optional	5ED-11000-E0 to _____
14	90007-00	Plate, Cover	1	
15	90008-00	Plug, Fill/Drain	1	
16	82808-90	Plug, Cap	1	
*	89456-93	Kit, Dust Cover (Incl Item 17 & Sealant)	1	
17	11119	O Ring, (.551" O.D.)	2	
18	11116	O Ring, (2.00" O.D.)	3	
19	83212-00	Carrier Assy, Differential (w/gears)	1	
20	82706-78	Ring, Snap	2	
21	82701-90	Vent	1	
22	5590	Pin, Cotter	2	
23	7947-B	Nut, Slotted 5/16-18	2	
24	6655-B	Washer 1 1/2" OD	2	
25	41815-86A	Drum	2	
	41844-96	Drum with Studs	2	
26	41199	Stud, Wheel	8	
27	7810	Locknut, Flange 5/16-18	8	
28	4017	Screw, Hex Cap 5/16-18x1"	8	

* Not Pictured in Illustration

NOTE: Always refer to part number label attached to the top of differential housing, before ordering parts. See Item 1 above.

REAR AXLE DIFFERENTIAL, HEAVY DUTY - EU2400, EU2400XB, TRAM

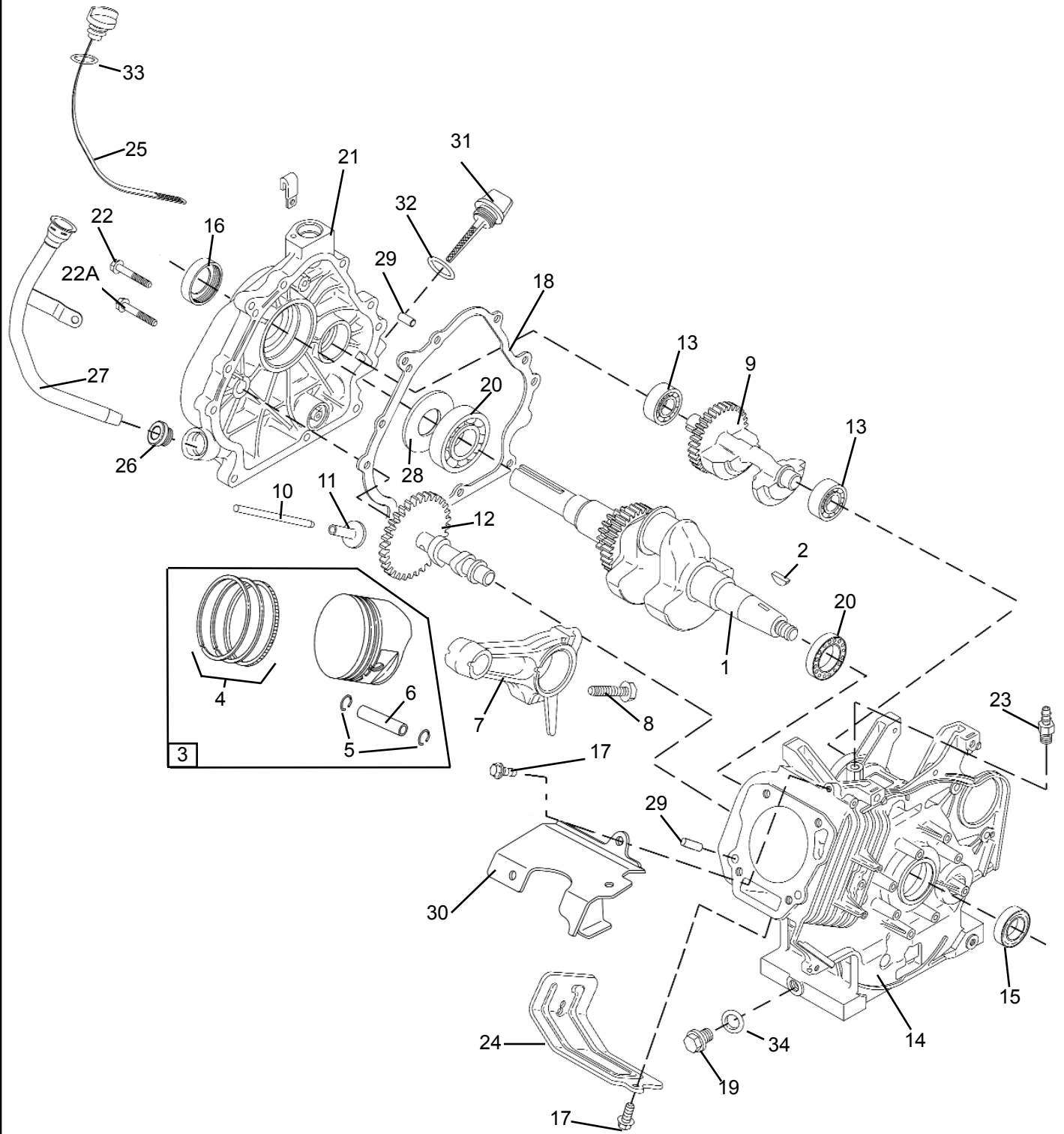


REAR AXLE DIFFERENTIAL, HEAVY DUTY - EU2400, EU2400XB, TRAM

ITEM NO.	PART NO.	DESCRIPTION	QTY.	Beginning V.I.N. to Ending V.I.N.
1	82820-93A	Assy., Complete Differential (12.44:1)(Std)	1	<div style="border: 1px solid black; padding: 5px;"> 4J-25100 to _____ 4H-25001 to _____ 4N-25001 to _____ 4HD-30000 to _____ </div>
	82868-00	Assy., Complete Differential (14.76:1 Ratio)	Optional	
		82866-00	Assy., Complete Differential (19.19:1 Ratio)	
2	83100-73	Assy., Bearing Tapered	1	
3	83160-93	Seal, Inner Oil	1	
4	90011-00	Shaft, Axle LH (Long)(Incl Item 24)	1	
5	90012-00	Shaft, Axle RH (Short)(Incl Item 24)	1	
6	90006-90	Ring, Snap	3	
7	82810-90	Ball Bearing	2	
8	90004-90	Ball Bearing	2	
9	90005-90	Ball Bearing, Differential	2	
10	82774-99	Gear, Set (12.44:1)(Incl Item 11)	1	
	82775-99	Gear Set, (14.76:1)(Incl Item 11)	Optional	
	82776-99	Gear Set, (19.19:1)(Incl Item 11)	Optional	
11	83299-99	Input Gear, Assy., Kit, Electric (Incl. Item 9, 8, 11 and 16 (12.44:1)	1	
	83215-00	Input Gear, Assy., Kit, Electric (Incl. Item 9, 8, 11 and 16 (14.76:1)	Optional	
	83214-00	Input Gear, Assy., Kit, Electric (Incl. Item 9, 8, 11 and 16 (19.19:1)	Optional	
12	90007-00	Plate, Cover	1	
13	90008-00	Plug, Fill/Drain	1	
14	82808-90	Plug, Cup	1	
	89456-93	Kit, Dust Cover (Incl. Item 14)	1	
15	11119	O Ring, (.551" O.D.)	2	
16	11116	O Ring, (2.00" O.D.)	4	
17	83212-00	Carrier Assy, Differential (w/gears)	1	
18	83167-93	Ring, Retaining (Press Fit)	2	
19	82701-90	Vent	1	
20	83116-93	Screw, Socket HD	8	
21	82811-93	Seal, Outer Oil	2	
22	83114-93	Washer, Flat	8	
23	83120-93	Nut, Locking	8	
24	83085-73	Bolt, Wheel	A.R.	
25	83101-90	Screw, Hex Cap	4	
26	83107-90	Locknut	4	

* Not Pictured in Illustration

PISTON, CRANKSHAFT, CRANKCASE, 9 HP

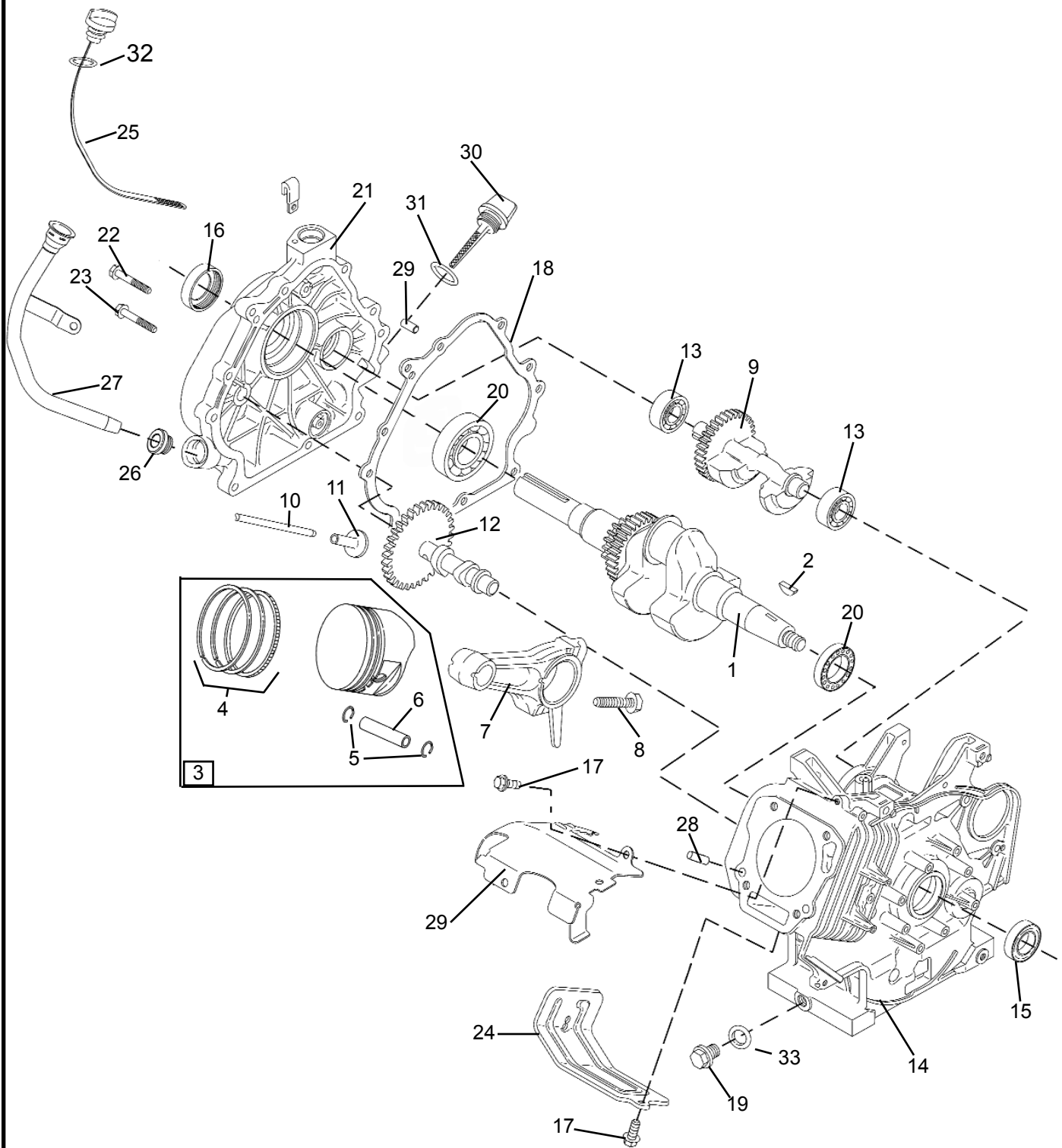


PISTON, CRANKSHAFT, CRANKCASE, 9 HP

PISTON, CRANKSHAFT, CRANKCASE, 9 HP				Beginning V.I.N. to Ending V.I.N.	
ITEM NO.	PART NO.	DESCRIPTION	QTY.		
*	16009-96	Engine Assy, Complete (9 HP)	1	8E-25100-D6 to	_____
1	23703-96	Crankshaft	1	8C-25001-D6 to	8C-25080
2	23705-96	Key, Woodruff	1	8U-25001 to	_____
3	22001-96	Piston Assy., (Std)	1	8D-25001 to	_____
	22003-96	Piston Assy., (.010" O.S.)	1	8S-25001 to	_____
	22004-96	Piston Assy., (.020" O.S.)	1	8F-25001 to	_____
4	22445-96	Ring Set (Std)	1	8X-25001 to	_____
	22447-96	Ring Set (.010" O.S.)	1	8Z-00001 to	_____
	22448-96	Ring Set (.020" O.S.)	1		
5	11144-96	Lock Ring, Piston Pin	2		
6	22587-96	Pin, Piston	1		
7	24200-96	Rod, Connecting	1		
	24204-96	Rod, Connecting (.020" Undersize)	1		
8	24206-96	Screw, Connecting Rod	2		
9	24214-96	Balancer Shaft	1		
10	65296-96	Rod, Push	2		
11	65290-96	Tappet, Valve	2		
12	24211-96	Camshaft	1		
13	90003-90	Bearing, Ball (#6203)	2		
14	16527-96	Cylinder Assy (Incl. Items 13, 15, 20)	1		
15	12030-96	Seal, Oil, Fan Side	1		
16	12032-96	Seal, Oil, PTO Side	1		
17	3417	Screw, Hex Head	4		
18	24495-96	Gasket, Crankcase	1		
19	62983-96	Plug, Oil Drain (Incl. Item 34)	2		
20	8879	Bearing Ball	2		
21	24520-96	Cover, Crankcase (Incl. Items 16, 18, 20)	1		
22	3422	Screw, Sem	8		
22A	3425	Screw, Hex Head	1		
23	62339-96	Nipple, Hose	1		
24	16540-96	Shield, Cylinder Lower	1		
25	62484-96	Cap, Oil Fill (Incl. Item 33)	Optional		
26	12040-96	Seal, Oil Tube	Optional		
27	62545-96	Tube, Oil Fill	Optional		
28	6506	Washer, Thrust	1		
29	352	Pin, Locating	2		
30	16541-96	Shield, Cylinder Upper	1		
31	82751-96	Plug, Oil Fill with O'Ring (Incl. Item 32)	2		
32	11126	O'Ring	2		
33	11128	O'Ring Long Dipstick	Optional		
34	11124	O'Ring, Drain Plug	1		
*	3417	Screw, Hex Head, Dipstick Tube	1		

* Not Pictured in Illustration

PISTON, CRANKSHAFT, CRANKCASE, 13 HP

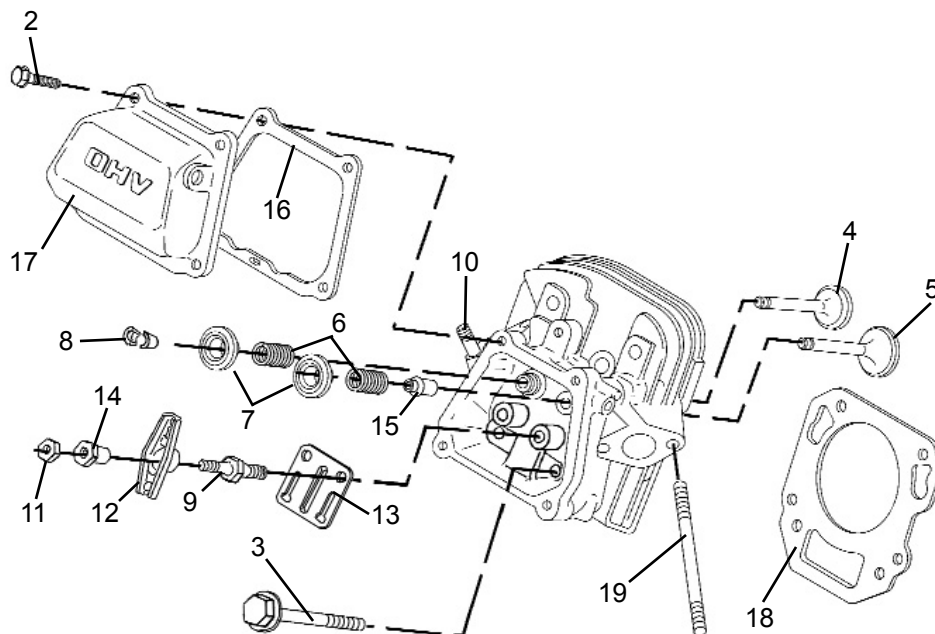


PISTON, CRANKSHAFT, CRANKCASE, 13 HP

PISTON, CRANKSHAFT, CRANKCASE, 13 HP				Beginning V.I.N. to Ending V.I.N.
ITEM NO.	PART NO.	DESCRIPTION	QTY.	
*	16013-96	Engine Assy, Complete (13 HP)	1	9F-25200 to _____
1	23704-98	Crankshaft	1	9U-30000 to _____
2	23705-96	Key, Woodruff	1	9X-30000 to _____
3	22007-98	Piston Assy., (Std)	1	9J-25101 to _____
	22008-98	Piston Assy., (.010" O.S.)	1	9D-30000 to _____
	22009-98	Piston Assy., (.020" O.S.)	1	9S-27001 to _____
4	22442-98	Ring Set (Std)	1	9H-21003 to _____
	22443-98	Ring Set (.010" O.S.)	1	9N-25002 to _____
	22444-98	Ring Set (.020" O.S.)	1	
5	11145-98	Lock Ring, Piston Pin	2	
6	22588-98	Pin, Piston	1	
7	24201-98	Rod, Connecting	1	
	24205-98	Rod, Connecting (.020" Undersize)	1	
8	24206-96	Screw, Connecting Rod	2	
9	24215-98	Balancer Shaft	1	
10	65297-98	Rod, Push	2	
11	65291-98	Tappet, Valve	2	
12	24212-98	Camshaft	1	
13	90003-90	Bearing, Ball (#6203)	2	
14	16528-98	Cylinder Assy (Incl. Items 13, 15, 20)	1	
15	12031-98	Seal, Oil, Fan Side	1	
16	12031-98	Seal, Oil, PTO Side	1	
17	3417	Screw, Hex Head	4	
18	24496-98	Gasket, Crankcase	1	
19	62983-96	Plug, Oil Drain (Incl. Item 34)	2	
20	8878	Bearing Ball	2	
21	24521-98	Cover, Crankcase (Incl. Items 16, 18, 20)	1	
22	3422	Screw, Sem	8	
23	3425	Screw, Hex Head	1	
24	16540-96	Shield, Cylinder Lower	1	
25	62485-98	Cap, Oil Fill (Incl. Item 33)	Optional	
26	12040-96	Seal, Oil Tube	Optional	
27	62545-96	Tube, Oil Fill	Optional	
28	352	Pin, Locating	2	
29	16542-98	Shield, Cylinder Upper	1	
30	82752-98	Plug, Oil Fill with O'Ring (Incl. Item 32)	2	
31	11126	O'Ring	2	
32	11127	O'Ring Long Dipstick	Optional	
33	11124	O'Ring, Drain Plug	1	

* Not Pictured in Illustration

CYLINDER HEAD, 9HP

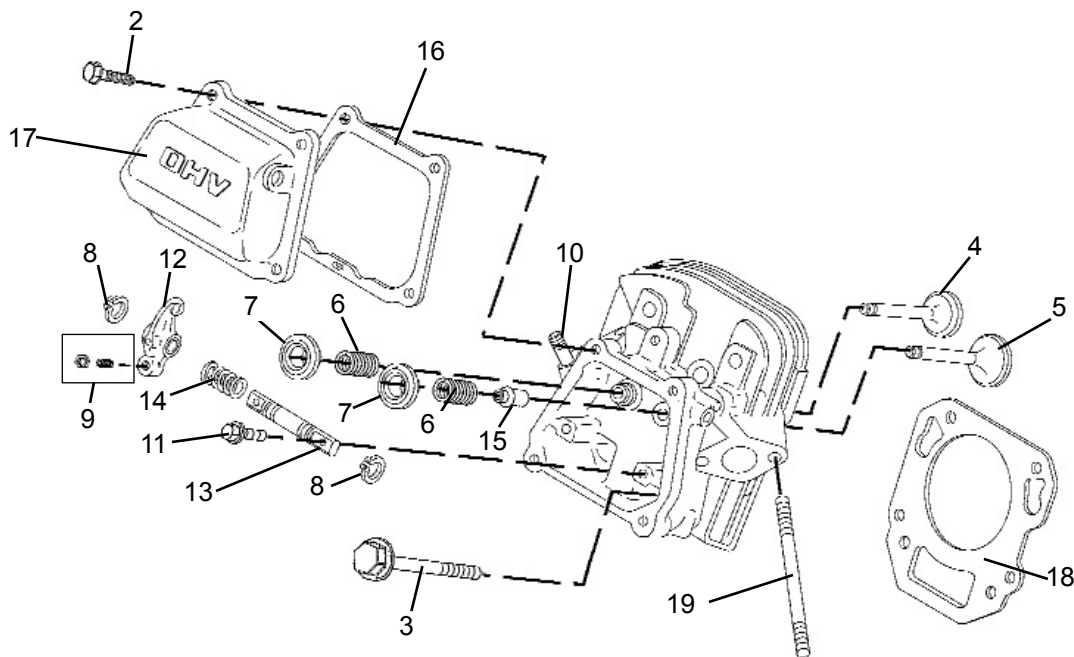


1

ITEM NO.	PART NO.	DESCRIPTION	QTY.	Beginning V.I.N. to Ending V.I.N.
1	16649-96	Head Cylinder (Incl. Items 3 - 16, 18)	1	8E-25100-D6 to _____
2	3417	Screw, Hex Head (Rocker Cover)	4	8C-25001-D6 to 8C-25080
3	3435	Screw, Cylinder Head	4	8U-25001 to _____
4	65280-96	Valve, Exhaust (Incl. Items 6 - 8)	1	8D-25001 to _____
5	65282-96	Valve, Intake (Incl. Items 6-8, 15)	1	8S-25001 to _____
6	65284-96	Spring, Valve	2	8F-25001 to _____
7	65286-96	Retainer, Spring	2	8X-25001 to _____
8	65288-96	Retainer, Valve	4	8Z-00001 to _____
9	64905-95	Stud, Rocker Arm	2	
10	61605-96	Stud, Muffler Mounting	2	
11	64915-96	Nut, Lock	1	
12	64909-96	Arm, Rocker	2	
13	64911-96	Guide, Rod	1	
14	64913-96	Adjuster, Rocker Arm	1	
15	65292-96	Seal, Valve	1	
16	64907-96	Gasket, Rocker Cover	1	
17	65249-96	Cover, Valve (Incl. Item 16)	1	
18	16784-96	Gasket, Cylinder Head	1	
19	29163-96	Stud, Carburetor Mounting	2	
*	82934-96	Nut, Muffler	2	
*	29012-96	Tube, Breather	1	

* Not Pictured in Illustration

CYLINDER HEAD, 13 HP



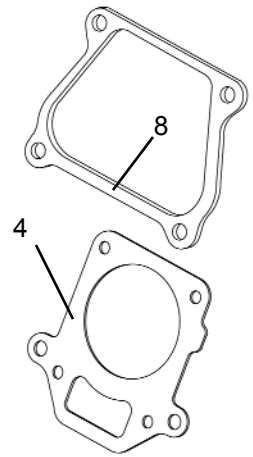
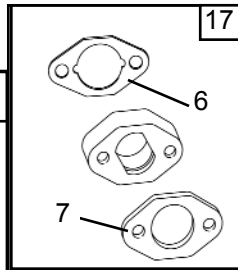
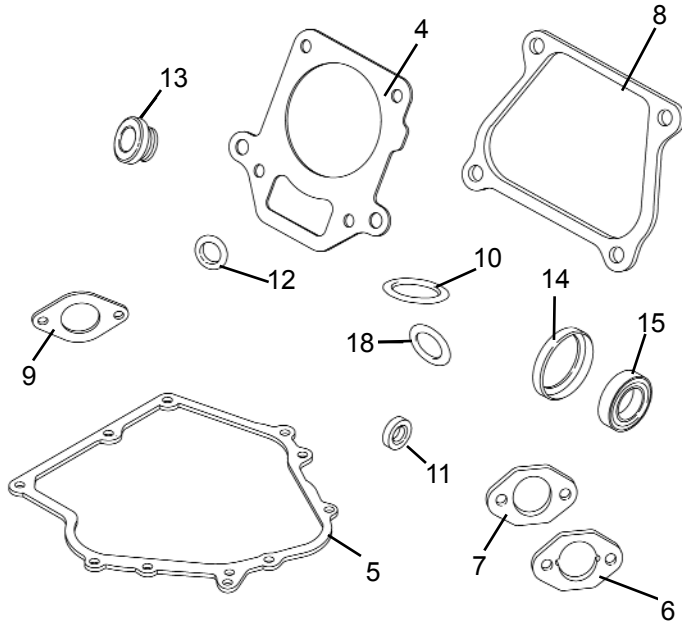
1

ITEM NO.	PART NO.	DESCRIPTION	QTY.	Beginning V.I.N. to Ending V.I.N.
1	16648-98	Head Cylinder (Incl. Items 3 - 16, 18)	1	9F-25200 to _____
2	3417	Screw, Hex Head (Rocker Cover)	4	9U-30000 to _____
3	3435	Screw, Cylinder Head	4	9X-30000 to _____
4	65281-98	Valve, Exhaust (Incl. Items 6 - 7)	1	9J-25101 to _____
5	65283-98	Valve, Intake (Incl. Items 6-7, 15)	1	9D-30000 to _____
6	65285-98	Spring, Valve	2	9S-27001 to _____
7	65287-98	Retainer, Valve Spring	2	9H-21003 to _____
8	65289-98	Retainer Clip Rocker Shaft	2	9N-25002 to _____
9	64914-98	Adjuster, Rocker Arm	1	
10	61605-96	Stud, Muffler Mounting	2	
11	64912-98	Screw (Rocker Shaft)	1	
12	64908-98	Arm, Rocker	2	
13	64904-98	Shaft, Rocker Arm	1	
14	64902-98	Spring, Rocker Shaft	1	
15	65292-96	Seal, Valve	2	
16	64906-98	Gasket, Rocker Cover	1	
17	65295-98	Cover, Rocker (Incl. Item 16)	1	
18	16786-98	Gasket, Cylinder Head	1	
19	29164-98	Stud, Carburetor	2	
*	8163	Nut, Carburetor	2	
*	82934-96	Locknut, Muffler	2	
*	29013-98	Tube, Breather	1	

* Not Pictured in Illustration

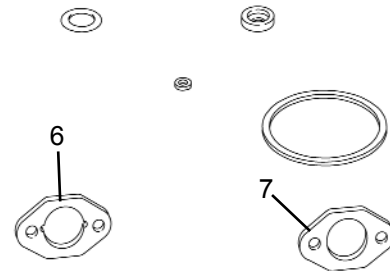
GASKET SETS, 9HP

1 Engine Gasket Set



2 Valve Overhaul Gasket Set

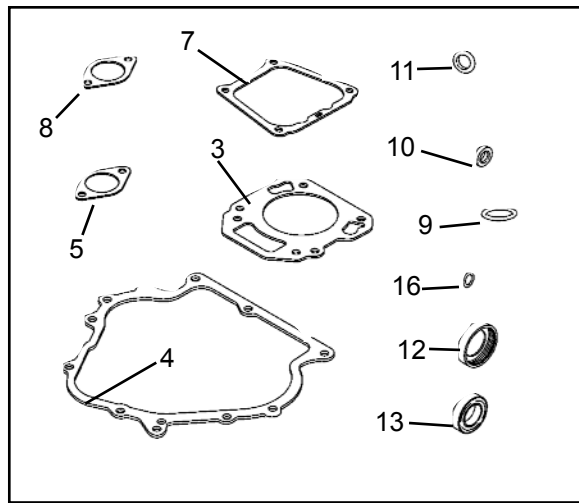
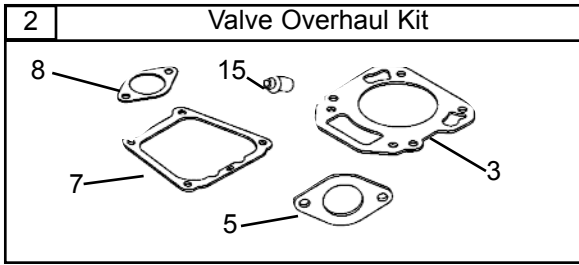
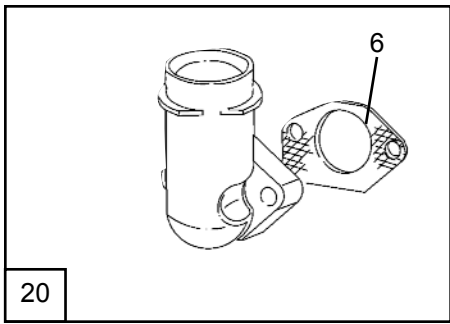
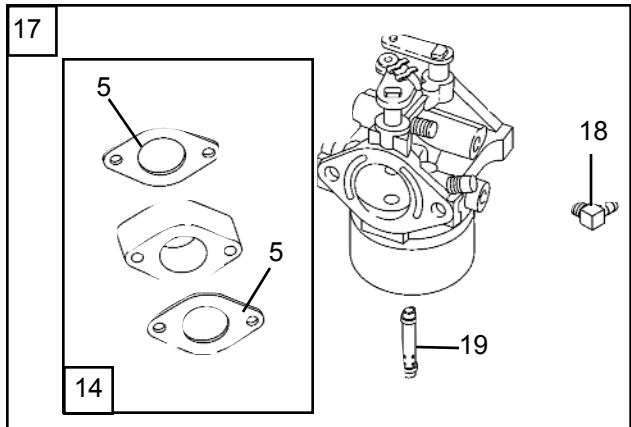
3 Carburetor Gasket Set



ITEM NO.	PART NO.	DESCRIPTION	QTY.	Beginning V.I.N. to Ending V.I.N.
1	24497-96	Gasket Set, Engine	1	8E-25100-D6 to _____
2	41765-96	Gasket Set, Valve Overhaul	1	8C-25001-D6 to 8C-25080
3	27137-91	Gasket Set, Carburetor	1	8U-25001 to _____
4	16784-96	Gasket, Cylinder Head	1	8D-25001 to _____
5	24495-96	Gasket, Crankcase Cover	1	8S-25001 to _____
6	27124-96	Gasket, Carburetor Mounting (A)	1	8F-25001 to _____
7	27126-96	Gasket, Carburetor Mounting (B)	1	8X-25001 to _____
8	64907-96	Gasket, Rocker Cover	1	8Z-00001 to _____
9	65264-96	Gasket, Exhaust	1	
10	11128	O-Ring, Long Dipstick	1	
11	30521-96	Grommet, Sensor	1	
12	11124	Gasket, Drain Plug	2	
13	12040-96	Seal, Oil Tube	1	
14	12030-96	Seal, Fan Side	1	
15	12032-96	Seal, PTO Side	1	
16	65292-96	Seal, Valve	1	
17	27027-96	Spacer, Carburetor	1	
18	11126	O'Ring, Short Dipstick	1	

* Not Pictured in Illustration

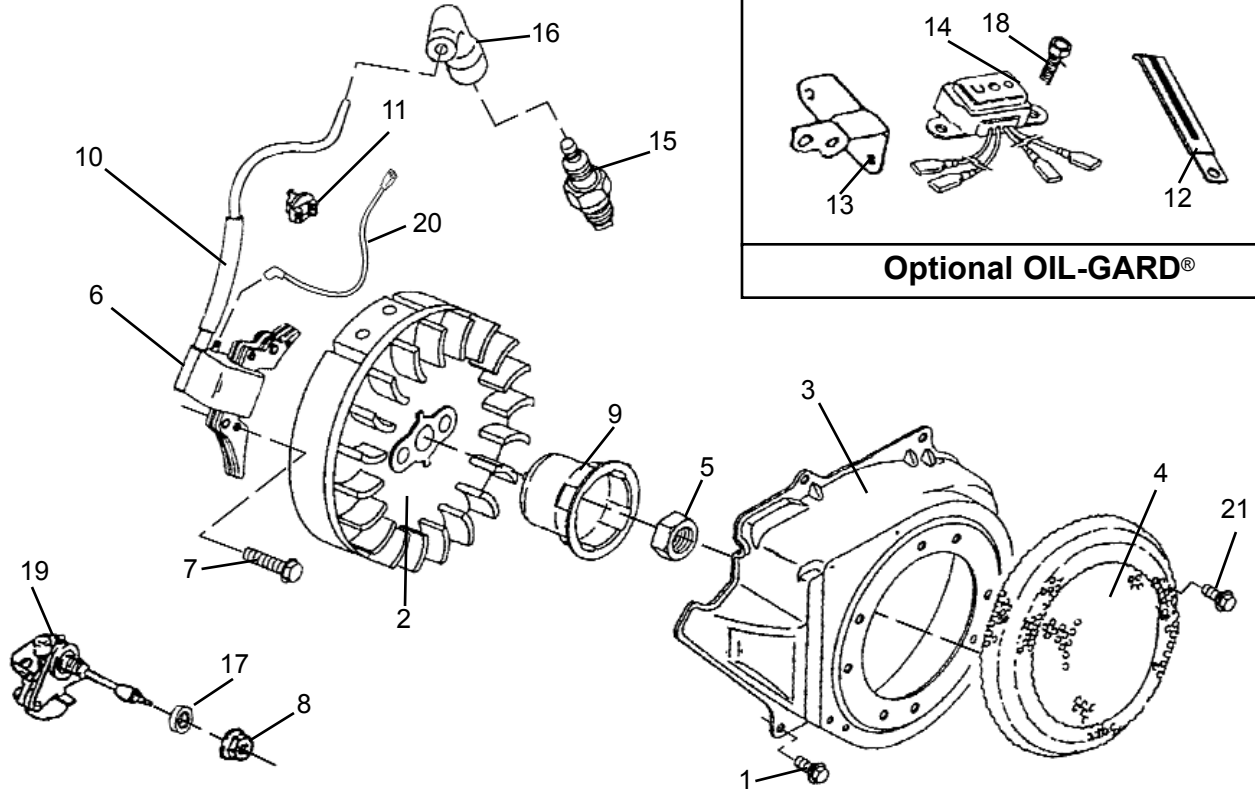
GASKET SETS, 13 HP



ITEM NO.	PART NO.	DESCRIPTION	QTY.	Beginning V.I.N. to Ending V.I.N.
1	24498-98	Gasket Set, Engine	1	9F-25200 to _____
2	41766-98	Gasket Set, Valve Overhaul	1	9U-30000 to _____
3	16786-98	Gasket, Cylinder Head	1	9X-30000 to _____
4	24496-98	Gasket, Crankcase Cover	1	9J-25101 to _____
5	27125-98	Gasket, Carburetor Mounting (A)	2	9D-30000 to _____
6	27128-98	Gasket, Carburetor Intake	1	9S-27001 to _____
7	64906-98	Gasket, Rocker Cover	1	9H-21003 to _____
8	65264-96	Gasket, Exhaust	1	9N-25002 to _____
9	11127	O-Ring, Long Dipstick	1	
10	30521-96	Grommet, Sensor	1	
11	11124	Gasket, Drain Plug	2	
12	12031-98	Seal, Fan Side	1	
13	12031-98	Seal, PTO Side	1	
14	27028-98	Spacer, Carburetor	1	
15	65292-96	Seal, Valve	1	
16	29145-98	Seal, O-Ring	1	
17	27155-98	Carburetor LMT	1	
18	62338-98	Carburetor, Hose Connector	1	
19	27102-98	Carburetor, Nozzle	1	
20	29154-98	Manifold, Intake	1	

* Not Pictured in Illustration

IGNITION AND FAN, 9HP



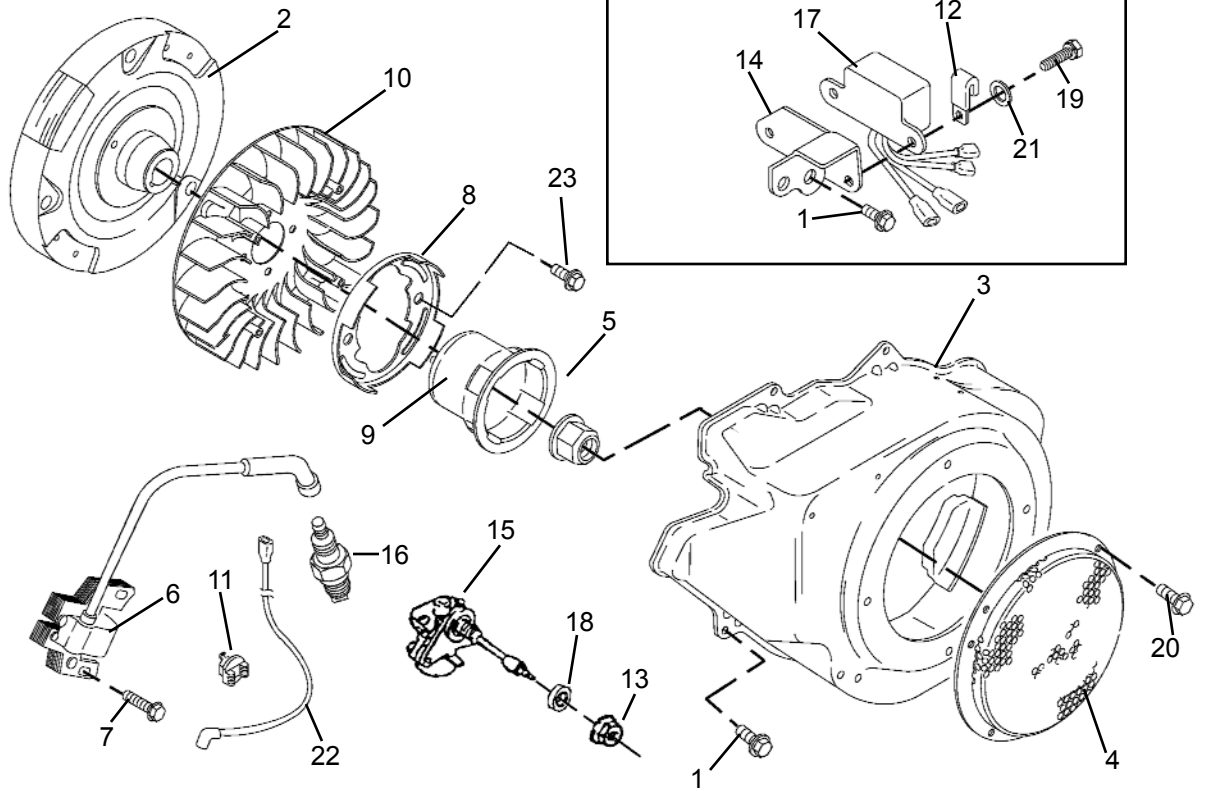
Optional OIL-GARD®

ITEM NO.	PART NO.	DESCRIPTION	QTY.	Beginning V.I.N. to Ending V.I.N.
1	3417	Screw, Hex Head (Blower Housing)	8	8E-25100-D6 to _____
2	20002-96	Flywheel	1	8C-25001-D6 to 8C-25080
3	20006-96	Housing, Blower	1	8U-25001 to _____
4	29072-96	Screen, Stationary (Debris Guard)	1	8D-25001 to _____
5	8164	Nut, Hex Flywheel	1	8S-25001 to _____
6	30509-96	Armature, Magneto (Incl. Item 10)	1	8F-25001 to _____
7	3424	Screw, Magneto Armature Mtg.	2	8X-25001 to _____
8	8168	Nut, Hex (Oil Sensor)	1	8Z-00001 to _____
9	30513-96	Cup, Starter	1	
10	30515-96	Shield, Cable	1	
11	30517-96	Clip, Lead Wire	1	
12	30519-96	Clamp, Wire (Used with OIL-GARD® Option)	1	
13	20010-96	Bracket, Mounting (Used with OIL-GARD® Option)	1	
14	30523-96	Module, OIL GARD® Sensor	1	
15	32305-96	Plug, Spark	1	
16	31981-96	Elbow, Spark Plug Boot	1	
17	30521-96	Grommet, Sensor	1	
18	3441	Screw, OIL GARD®, Mounting	2	
19	30524-96	Float, Oil Sensor (Incl. Item 17)	1	
20	30516-96	Wire, Stop	1	
21	3428	Screw, Screen Guard	4	
*	6441	Washer, Oil Module Mounting	1	

* Not Pictured in Illustration

IGNITION AND FAN, 13 HP

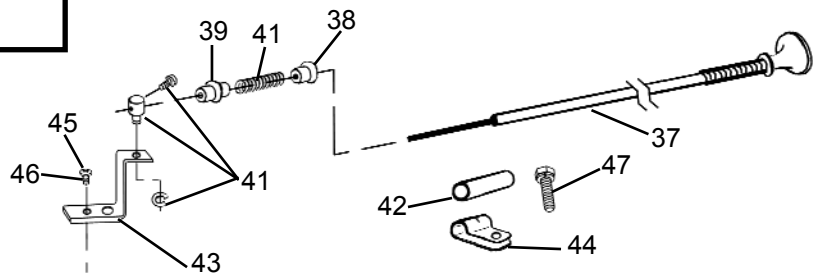
Optional OIL-GARD®



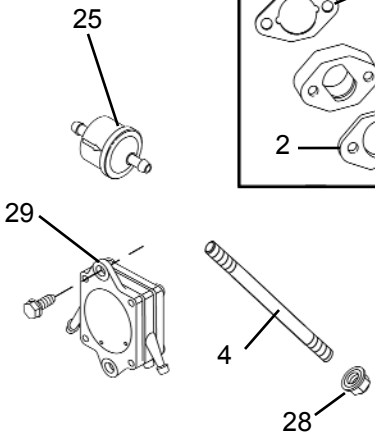
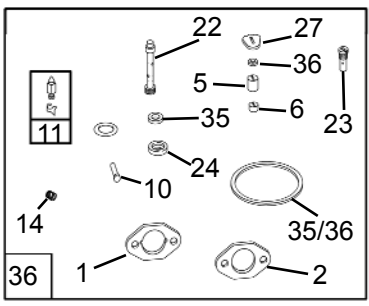
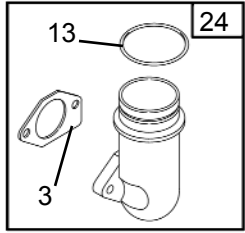
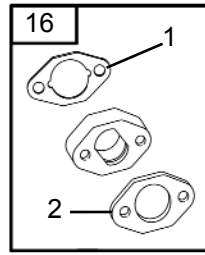
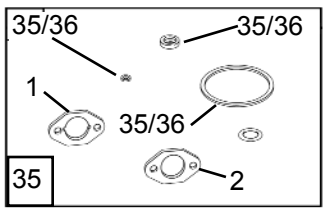
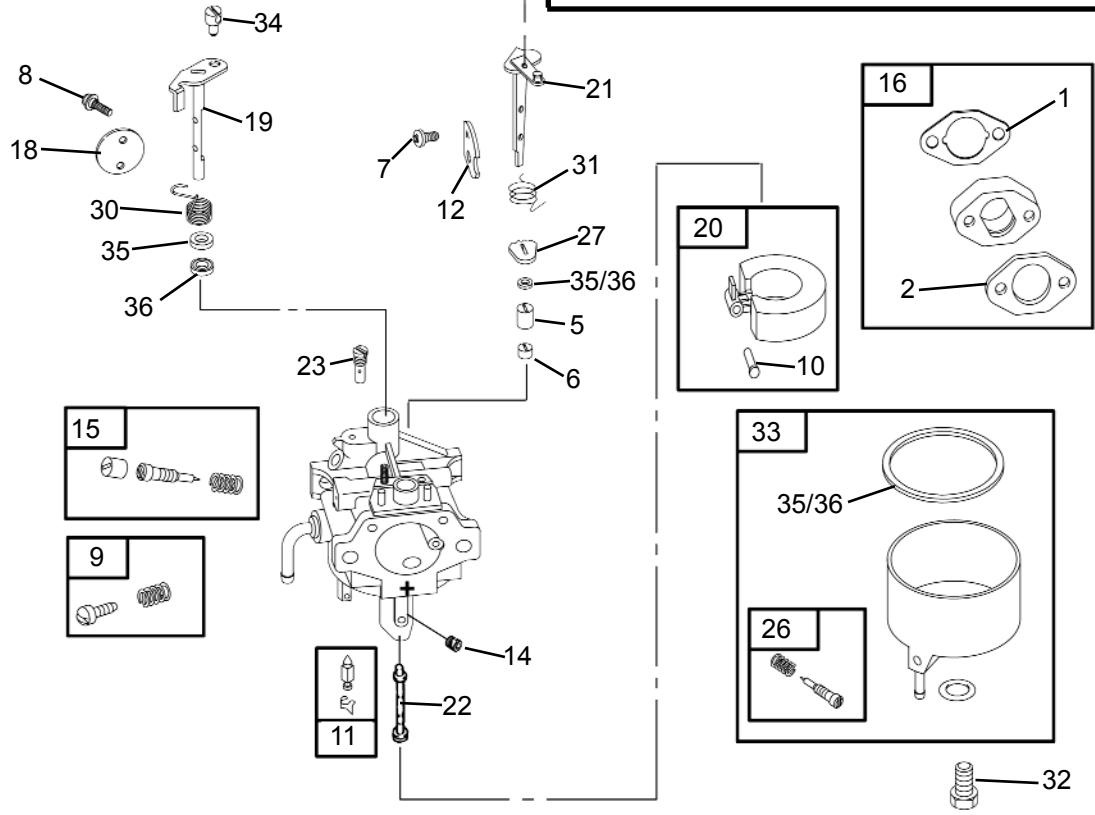
ITEM NO.	PART NO.	DESCRIPTION	QTY.	Beginning V.I.N. to Ending V.I.N.
1	3417	Screw, Hex Head (Blower Housing)	1	
2	20003-98	Flywheel	1	9F-25200 to _____
3	20009-98	Housing, Blower	1	9U-30000 to _____
4	29072-96	Screen, Rotating (Debris Guard)	1	9X-30000 to _____
5	8167	Nut, Hex Flywheel	1	9J-25101 to _____
6	30504-98	Armature, Magneto	1	9D-30000 to _____
7	3426	Screw, Magneto Armature Mtg.	2	9S-27001 to _____
8	20013-98	Fan, Retaining	1	9H-21003 to _____
9	30514-98	Cup, Starter Flywheel	1	9N-25002 to _____
10	20005-98	Fan Flywheel	1	
11	30517-96	Clip, Lead Wire	1	
12	30519-96	Clamp, Wire (Used with OIL-GARD® Option)	1	
13	8168	Nut, Flange Oil Sensor	1	
14	20010-96	Bracket, Mounting (Used with OIL-GARD® Option)	1	
15	30524-96	Sensor, Oil (Incl Item 18)	1	
16	32305-98	Plug, Spark	1	
17	30523-96	Module, OIL-GARD®	1	
18	30521-96	O-Ring, Seal	1	
19	3442	Screw, OIL GARD®, Mounting	2	
20	3428	Screw (Rotating Screen)	4	
21	6442	Washer, OIL GARD® Kit	1	
22	30516-96	Wire, Stop	1	
23	3429	Screw, Fan Retainer	4	

* Not Pictured in Illustration

CARBURETOR - 9 HP



17

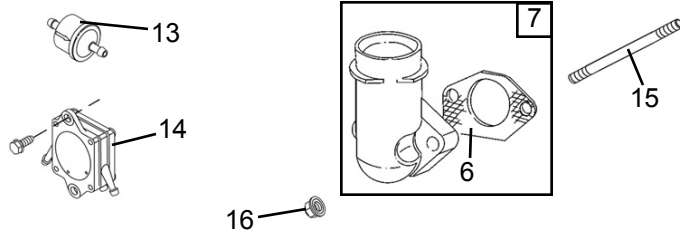
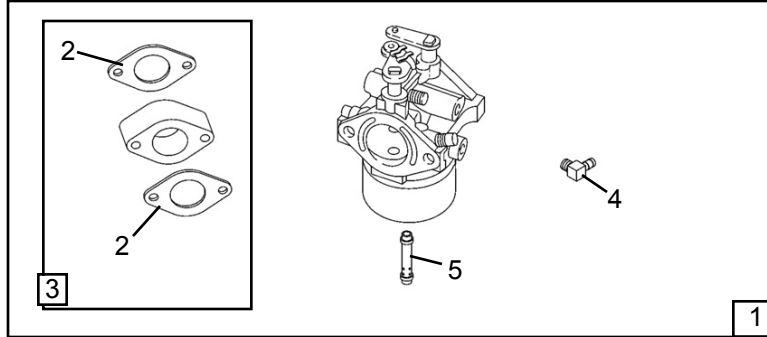
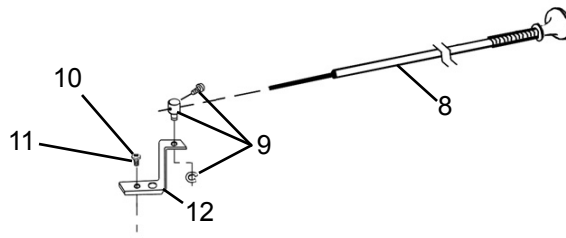


CARBURETOR - 9HP

ITEM NO.	PART NO.	DESCRIPTION	QTY.	Beginning V.I.N. to Ending V.I.N.
1	27124-96	Gasket, Carburetor Mounting (A)	1	8E-25100-D6 to _____
2	27126-96	Gasket, Carburetor Mounting (B)	1	8C-25001-D6 to 8C-25080
3	27127-96	Gasket, Intake	1	
4	29163-96	Stud	2	8U-25001 to _____
5	27747-96	Bushing, Choke Shaft (Upper)	1	8D-25001 to _____
6	27749-96	Bushing, Choke Shaft (Lower)	1	8S-25001 to _____
7	27776-96	Screw, Choke Plate	2	8F-25001 to _____
8	27778-96	Screw, Throttle Plate	2	8X-25001 to _____
9	27781-96	Screw, Idle Adjustment	1	8Z-00001 to _____
10	27771-96	Pin, Float Hinge	1	
11	27794-96	Valve, Needle	1	
12	27769-96	Valve, Choke	1	
13	29144-96	O-Ring	1	
14	27789-96	Jet, Main	1	
	27788-96	Jet, Main (High Altitude)(Over 5,000ft.)	1	
15	27782-96	Valve, Idle Adjustment	1	
16	27027-96	Spacer, Carburetor	1	
17	27158-96	Carburetor (9hp)	1	
18	27766-96	Valve, Throttle	1	
19	27276-96	Shaft, Throttle	1	
20	27770-96	Float, Carburetor	1	
21	27730-96	Shaft, Choke	1	
22	27100-96	Nozzle, Carburetor	1	
23	27792-96	Jet, Pilot	1	
	27791-96	Jet, Pilot (High Altitude)(Over 8,000ft.)	1	
24	29157-96	Manifold, Intake	1	
25	62350-96	Filter, Fuel	1	
26	27163-96	Drain, Carburetor Bowl	1	
27	27728-96	Retainer, Choke Shaft	1	
28	8163	Nut, Hex Flange	2	
29	27099-96	Pump, Fuel	1	
30	27784-96	Spring, Shaft Throttle	1	
31	27785-96	Spring, Shaft Choke	1	
32	27709-96	Screw, Fuel Bowl	1	
33	27764-96	Bowl, Carburetor	1	
34	26843-96	Retainer, Throttle Cable	1	
35	27137-96	Carburetor, Gasket Set	1	
36	27131-96	Carburetor Repair Kit	1	
37	27288-96	Cable, Choke (91")(P4G, G4S)	1	
	27286-96	Cable, Choke (115")(All Extended Gas Models)	1	
38	27256-86	Spacer, Choke Cable End	1	
39	27257-86	Spacer, Choke Lever End	1	
*	27255-86	Spring, Choke Return	1	
41	27768-87	Swivel Assembly, Choke Lever	1	
*	10043	Tie-Wrap, Cable (10" Lg)	3	
42	52246-98	Insulation, Sleeve	1	
43	27261-96	Lever, Choke	1	
44	48512-98	Clamp (1996 - 1997)	1	
	9958	Clamp (1999 - 2000)	1	
45	2643	Screw, Choke Lever #4-40x1/4"	1	
46	6969	Washer #4	1	
47	4001	Screw, Hex Hd, M6x1x15	1	
*	40570-96	Bracket, Throttle Cable - Carbureator	1	

* Not Pictured in Illustration

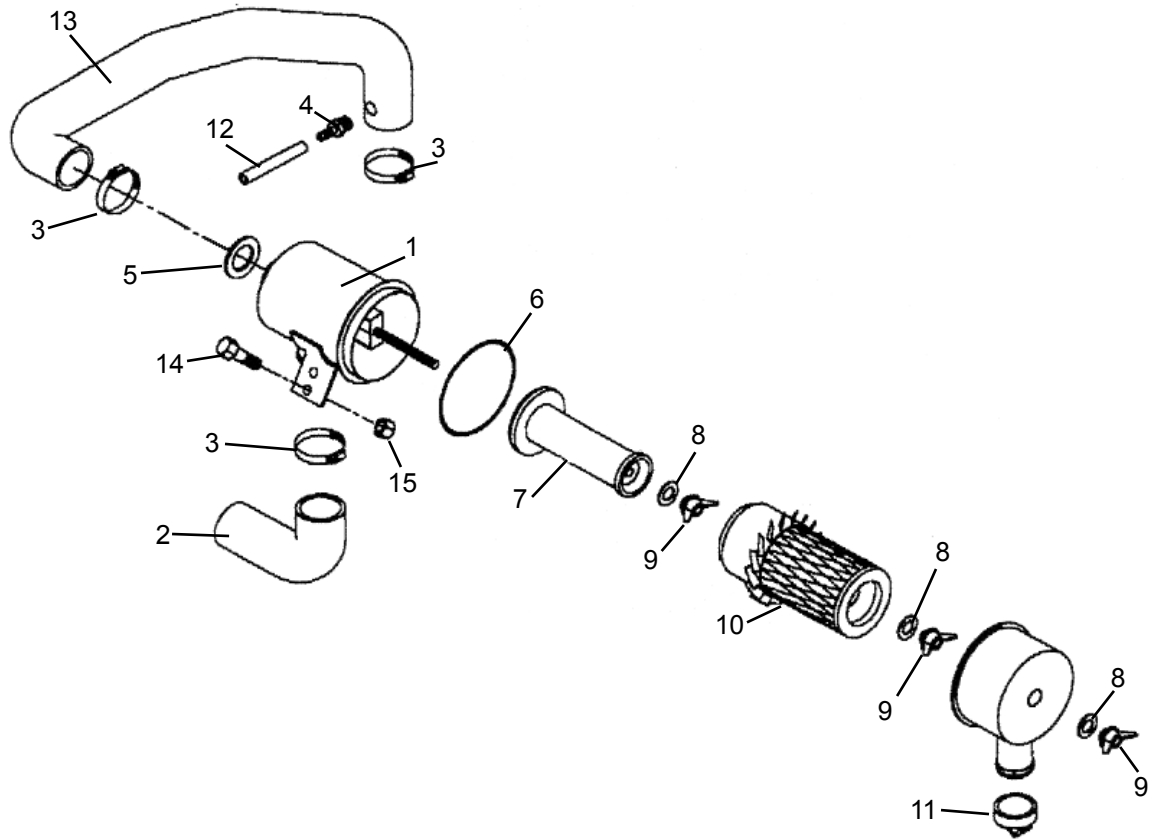
CARBURETOR - 13 HP



ITEM NO.	PART NO.	DESCRIPTION	QTY.	Beginning V.I.N. to Ending V.I.N.
1	27155-96	Carburetor (13hp)	1	9F-25200 to _____
2	27125-98	Gasket, Carburetor Mounting (A)	2	9U-30000 to _____
3	27028-98	Spacer, Carburetor	1	9X-30000 to _____
4	62338-98	Carburetor, Hose Connector	1	9J-25101 to _____
5	27102-98	Carburetor, Nozzle	1	9D-30000 to _____
6	27128-98	Gasket, Carburetor Intake	1	9S-27001 to _____
7	29154-98	Manifold, Intake	1	9H-21003 to _____
8	29160-97	Cable, Choke (84")(13hp GU4, GU2400)	1	9N-25002 to _____
	29162-97	Cable, Choke (101")(13hp FG,C6G, C10G, GU2400XB)	1	
9	27768-87	Swivel Assembly, Choke Lever	1	
10	2643	Screw, Choke Lever #4-40x1/4"	1	
11	6969	Washer #4	1	
12	27261-96	Lever, Choke	1	
13	62350-96	Filter, Fuel	1	
14	27099-96	Pump, Fuel	1	
15	29163-96	Stud	2	
16	8163	Nut, Hex Flange	2	
*	59602-97	Bracket, Throttle Cable - Carbureator	1	
*	27255-86	Spring, Choke Return	1	

* Not Pictured in Illustration

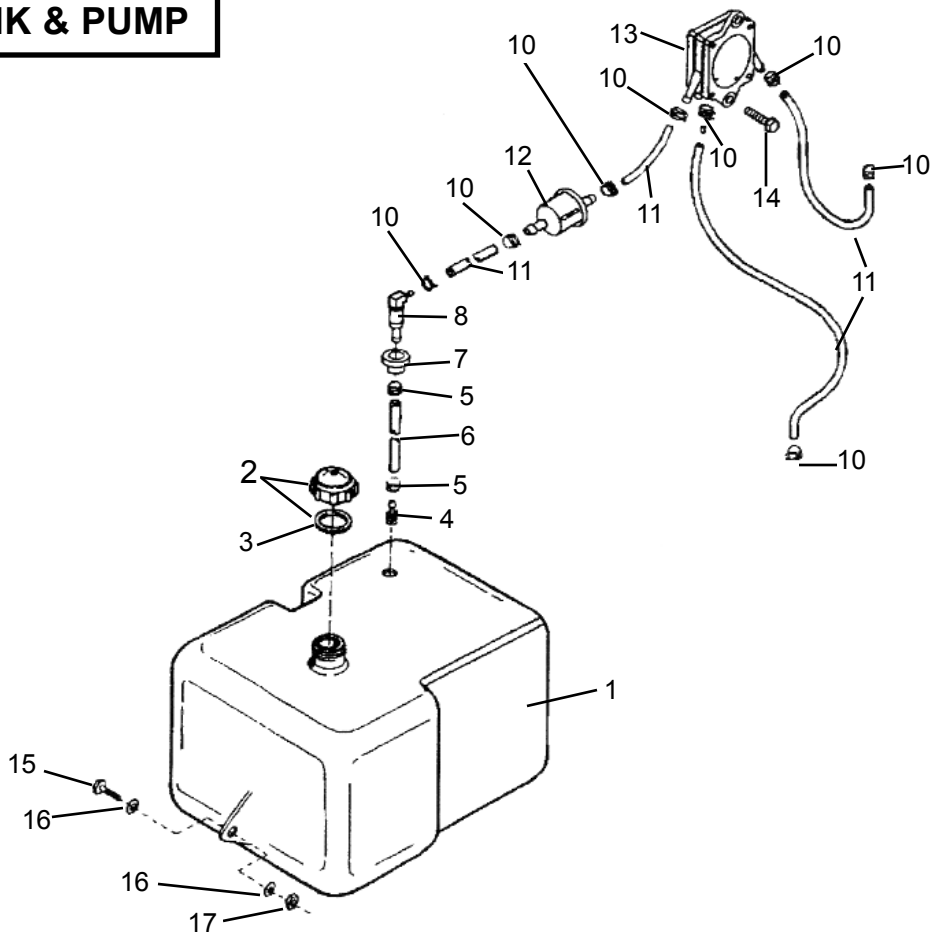
AIR INTAKE



ITEM NO.	PART NO.	DESCRIPTION	QTY.	Beginning V.I.N. to Ending V.I.N.
1	29130-96	Assembly, Air Cleaner (Includes Items 6-11)	1	8E-25100-D6 to _____
2	29005-96	Noise Damping, Hose, Air Intake	1	8C-25001-D6 to 8C-25080
3	9964	Clamp	3	
4	29016-96	PCV Fitting (9hp Only)	1	8U-25001 to _____
5	29010-96	Washer (9hp Only)	1	
6	29126-96	O-Ring	1	8D-25001 to _____
7	29146-96	Element, Safety	1	8S-25001 to _____
8	29127-84	Washer, Sealing	3	8F-25001 to _____
9	29118-96	Nut, Wing	3	8X-25001 to _____
10	29131-96	Element, Primary	1	9F-25200 to _____
11	29132-96	Ejector, Dust	1	9U-30000 to _____
12	29012-96	Hose, PCV	1	9X-30000 to _____
13	29001-96	Hose, Air Intake (9hp Only)	1	9J-25101 to _____
	29002-96	Hose, Air Intake (13hp Only)	1	9D-30000 to _____
14	3987-BS	Screw, Hex Cap 5/16-18x3/4"	2	9S-27001 to _____
15	7525	Nut Lock Flange	2	9H-21003 to _____
				9N-25002 to _____

* Not Pictured in Illustration

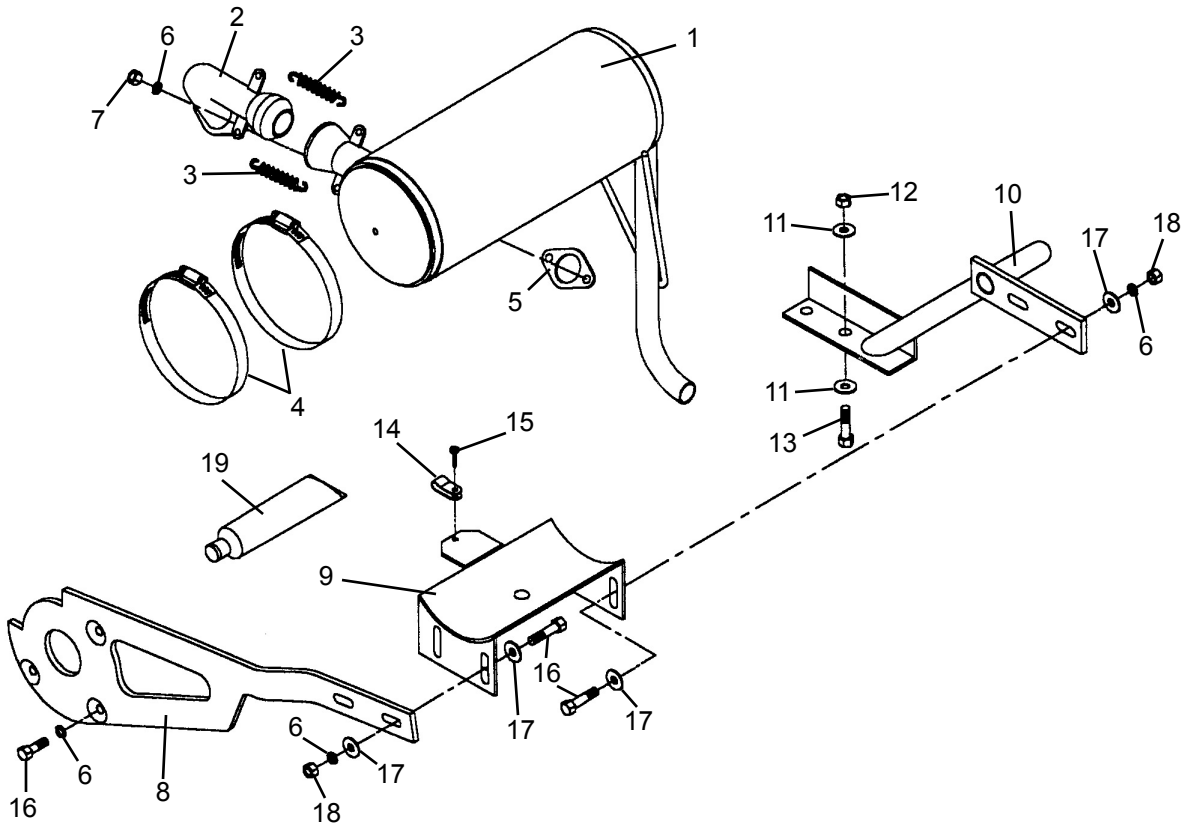
FUEL TANK & PUMP



ITEM NO.	PART NO.	DESCRIPTION	QTY.	Beginning V.I.N. to Ending V.I.N.
1	61251-89B	Gas Tank	1	8E-25100-D6 to _____
2	61254-89	Cap Fuel Tank, With Gasket (Vented)	1	8C-25001-D6 to 8C-25080
3	61117-71B	Gasket, Fuel Tank Cap	1	8U-25001 to _____
4	62346-96	Strainer, Fuel w/o Check	1	8D-25001 to _____
5	9903	Clamp, Compression	2	8S-25001 to _____
6	63509-75	Hose, Fuel Tank	1	8F-25001 to _____
7	61249-75	Bushing, Rubber	1	8X-25001 to _____
8	61095-84	Fitting, Fuel Tank	1	8Z-00001 to _____
9	61094-75	Fitting Assembly, Fuel Tank (Incl Items 7, 8)	1	9F-25200 to _____
10	9994	Clamp, Hose	8	9U-30000 to _____
11	63501-68	Fuel Line, 1/4" (Bulk 10 ft.)	1	9X-30000 to _____
12	62350-96	Fuel Filter	1	9J-25101 to _____
13	27099-96	Fuel Pump	1	9D-30000 to _____
14	2653-B	Screw, Tek #10x3/4"	2	9S-27001 to _____
15	3787-B	Screw, 1/4-20x3/4	2	9H-21003 to _____
16	7422	Washer, Fender	4	9N-25002 to _____
17	7742	Nut, Lock Hex	2	

* Not Pictured in Illustration

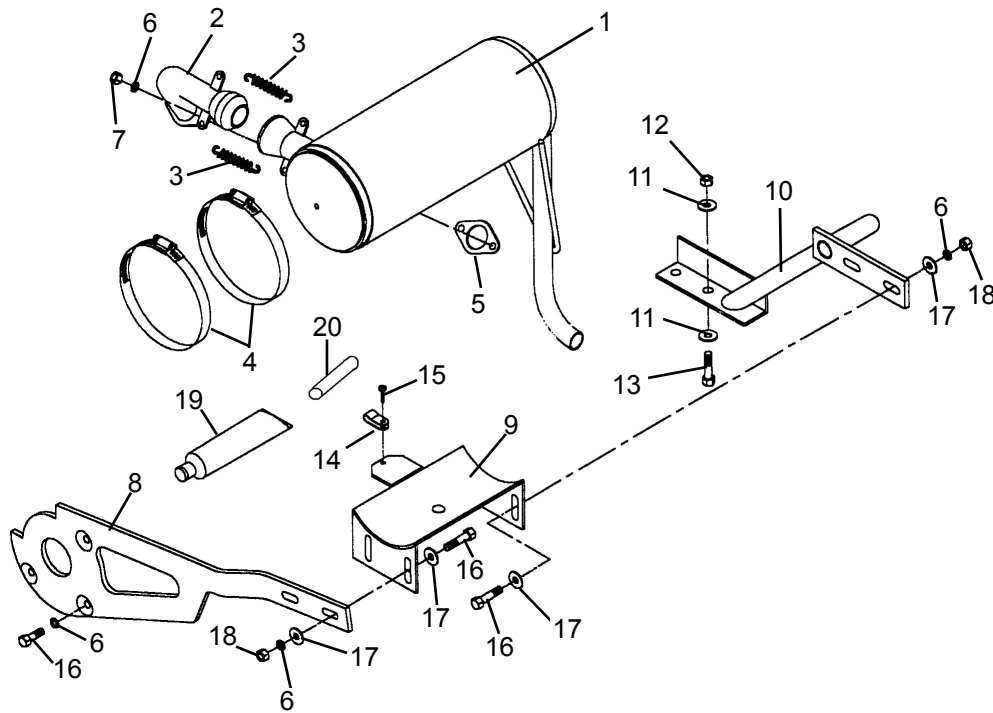
EXHAUST, ALL GAS MODELS (1996 - Early 1997)



ITEM NO.	PART NO.	DESCRIPTION	QTY.	Beginning V.I.N. to Ending V.I.N.
1	65231-96	Muffler	1	8E-25100-D6 to 8E-27341-D7
2	65248-96	Muffler, Head Pipe Extension	1	8C-25001-D6 to 8C-25030-D6
3	11800-90	Spring	2	8U-25001 to 8U-25040
4	9965	Clamp, Muffler	2	8D-25001 to 8D-25016
5	65264-96	Gasket, Exhaust	1	8S-25001 to 8S-25013
6	7041-B	Lockwasher	9	8F-25001 to 8F-25063
7	82934-96	Nut	2	8X-25001 to 8X-25012
8	65242-96	Support, Muffler, L. H.	1	
9	65243-96	Cradle, Muffler	1	
10	65244-96	Support, Muffler, R. H.	1	
11	6416	Washer	2	
12	7778	Locknut, 3/8-16	2	
13	4716-W	Bolt, Hex Cap 3/8-16x1 1/4"	2	
14	9958	Choke Clamp	1	
15	2653-B	Screw, Tek #10x3/4"	1	
16	4319	Bolt, Hex Cap 3/8-24x5/8"	7	
17	6000-B	Washer	8	
18	7753	Nut, Hex 5/6-24	4	
19	27702-96	Sealant, Exhaust Fitting	1	
	45700-97	Muffler Support Stop		

* Not Pictured in Illustration

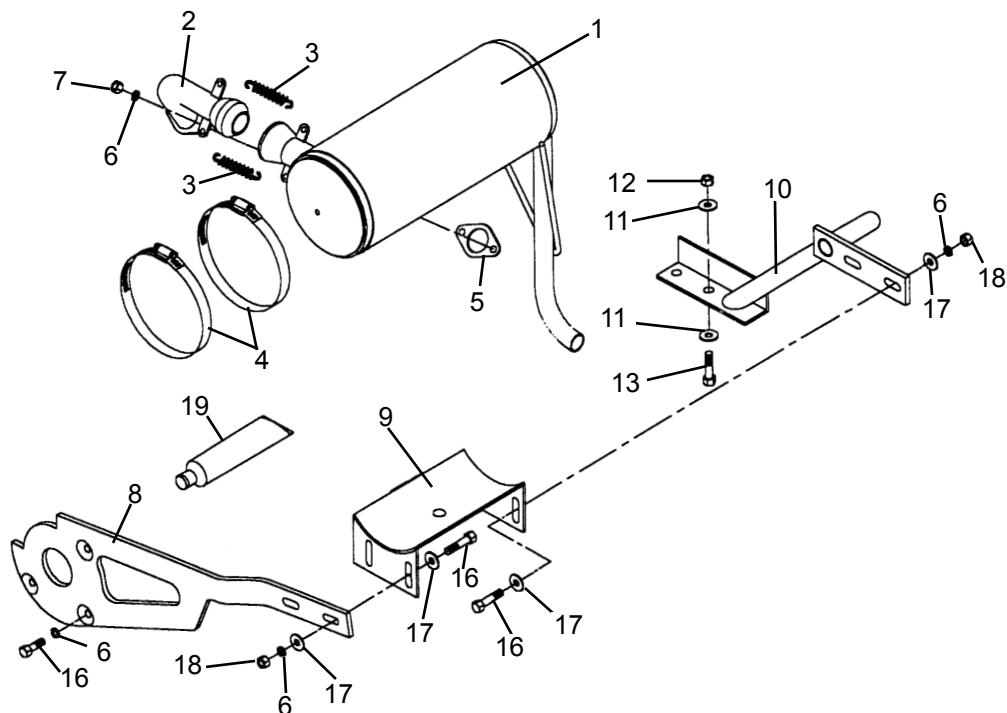
EXHAUST, ALL GAS MODELS (Late 1997 - Early 1999)



ITEM NO.	PART NO.	DESCRIPTION	QTY.	Beginning V.I.N. to Ending V.I.N.
1	65231-97	Muffer	1	
2	65248-97	Muffer, Head Pipe Extension	1	8E-27342-D7 to 8E-29055-D9
3	11800-90	Spring, Exhaust Flange	2	8C-25031-D6 to 8C-25080
4	9965	Clamp, Muffer	2	8U-25041 to 8U-25102
5	65264-96	Gasket, Exhaust	1	8D-25017 to 8D-25054
6	7041-B	Lockwasher	9	8S-25014 to 8S-25056
7	82934-96	Nut, Exhaust 8mm	2	8F-25064 to 8F-25070
8	65242-97	Support, Muffer, L. H.	1	8X-25013 to 8X-28053
9	65243-97	Cradle, Muffer	1	8Z-00001 to 8Z-00007
10	65244-97	Support, Muffer, R. H.	1	
11	6416	Washer, Plain Type A 3/8	2	
12	7778	Locknut, 3/8-16	2	
13	4716-W	Screw, Hex Cap 3/8-16x1 1/4"	2	
14	48512-98	Clamp, Choke	1	
15	2653-B	Screw, Tek #10x3/4"	1	
16	4391	Screw, Hex Cap 5/16-24x5/8"	7	
17	6000-B	Washer, Blk 5/16	8	
18	7753	Nut, Hex 5/16-24	4	
19	27702-96	Sealant, Exhaust Fitting	1	
20	52246-98	Insulator, Choke Cable	1	

* Not Pictured in Illustration

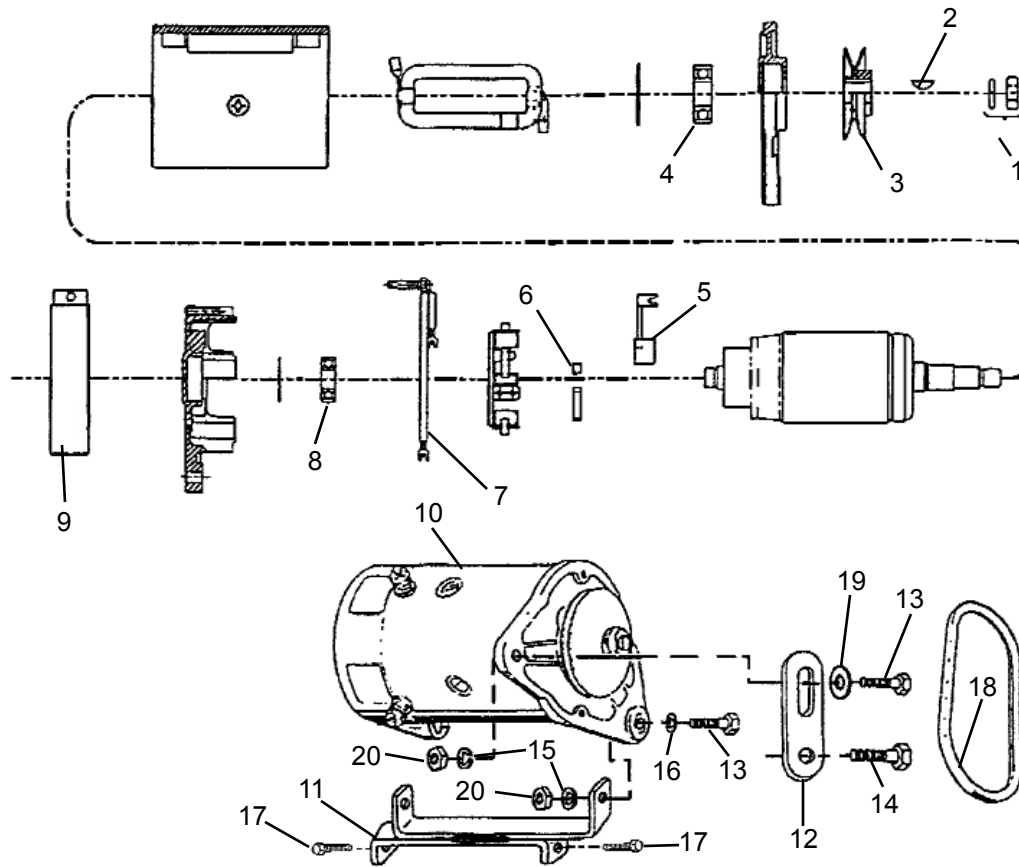
EXHAUST, ALL GAS MODELS (Late 1999 & 2000)



ITEM NO.	PART NO.	DESCRIPTION	QTY.	Beginning V.I.N. to Ending V.I.N.
1	65235-97	Muffler	1	8E-29056-D9 to _____
2	65248-97	Muffler, Head Pipe Extension, 9 HP	1	8U-30000 to _____
	65250-97	Muffler, Head Pipe Extension, 13HP	1	8D-25055 to _____
3	11800-90	Spring, Exhaust Flange	2	8S-25057 to _____
4	9965	Clamp, Muffler	2	8F-25071 to _____
5	65264-96	Gasket, Exhaust	1	8X-30000 to _____
6	7041-B	Lockwasher, Blk 5/16	9	8Z-00008 to _____
7	82934-96	Nut, Exhaust 8mm	2	9F-25200 to _____
8	65242-97	Support, Muffler, L. H.	1	9U-30000 to _____
9	65245-97	Cradle, Muffler	1	9X-30000 to _____
10	65244-97	Support, Muffler, R. H.	1	9J-25101 to _____
11	6416	Washer, Plain Type A 3/8	2	9D-30000 to _____
12	7778	Locknut, 3/8-16	2	9S-27001 to _____
13	4716-W	Screw, Hex Cap 3/8-16x1 1/4"	2	9H-21003 to _____
16	4391	Screw, Hex Cap 5/16-24x5/8"	7	9N-25002 to _____
17	6000-B	Washer, Blk 5/16	8	
18	7753	Nut, Hex 5/16-24	4	
19	27702-96	Sealant, Exhaust Fitting	1	

* Not Pictured in Illustration

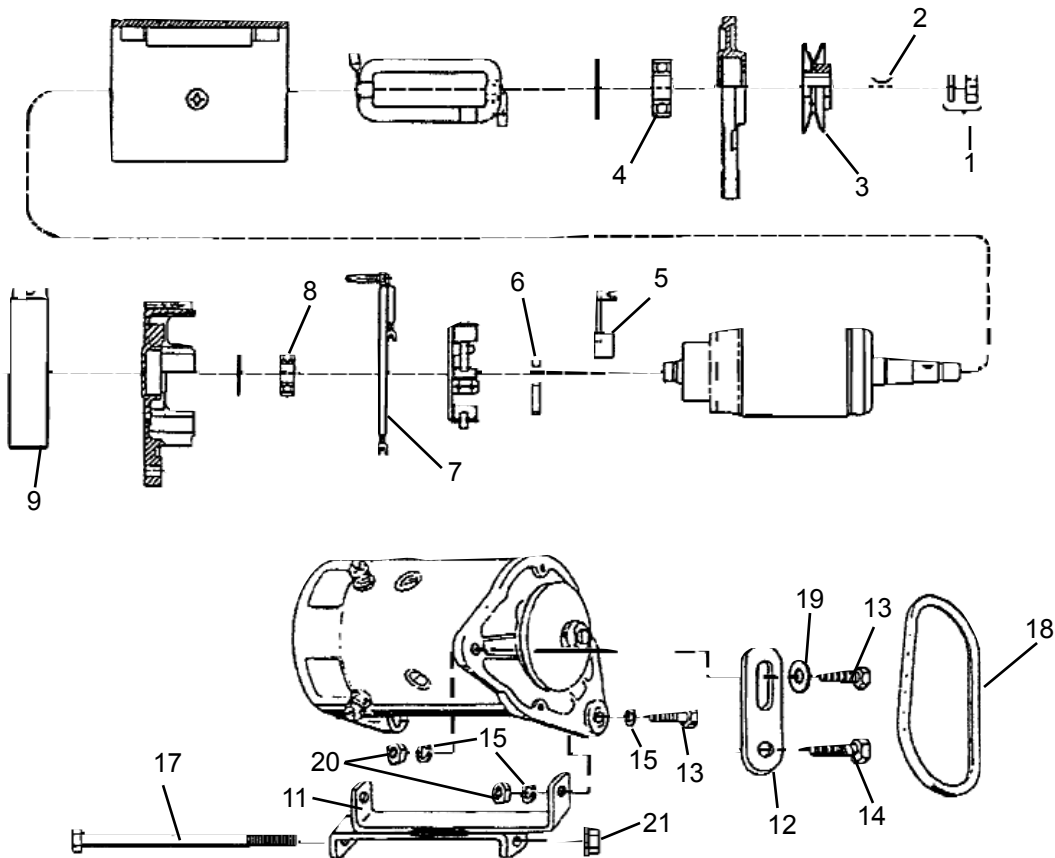
STARTER GENERATOR (1996 - Early 1997)



ITEM NO.	PART NO.	DESCRIPTION	QTY.	Beginning V.I.N. to Ending V.I.N.
1	31553-95	Nut and Lockwasher	1	8E-25100-D6 to 8E-27396-D7
2	30877-95	Woodruff Key	1	8C-25001-D6 to 8C-25030-D6
3	31551-95	Pulley-V-Belt	1	8U-25001 to 8U-25039
4	30154-95	Bearing	1	8D-25001 to 8D-25016
5	30443-95	Brush, Single	4	8S-25001 to 8S-25013
6	N/A	Brush Spring	4	8F-25001 to 8F-25063
7	N/A	Assembly, Brush Holder	1	8X-25001 to 8X-25012
8	30153-95	Bearing	1	
9	N/A	Headband Assy.	1	
10	30083-95	Starter/Gen. Assy.	1	
11	31310-96	Bracket, Starter/Gen. Mounting	1	
12	31322-96	Bracket, Adjustment	1	
13	4014-W	Screw, Hex Cap 5/6-24x1 1/4"	3	
14	4713-W	Screw, Hex Cap 3/8-16x3/4"	1	
15	7041-B	Lockwasher, Split 5/16"	3	
16	6702-B	Washer, Plain Type N	3	
17	2509	Self Tapping Screw	2	
18	36389-96	Belt, Starter/Gen.	1	
19	6607-W	Washer, Zinc	1	
20	7753	Nut, Hex 5/16-24	3	
*	89559-97	Tool, Belt Tension	1	

* Not Pictured in Illustration

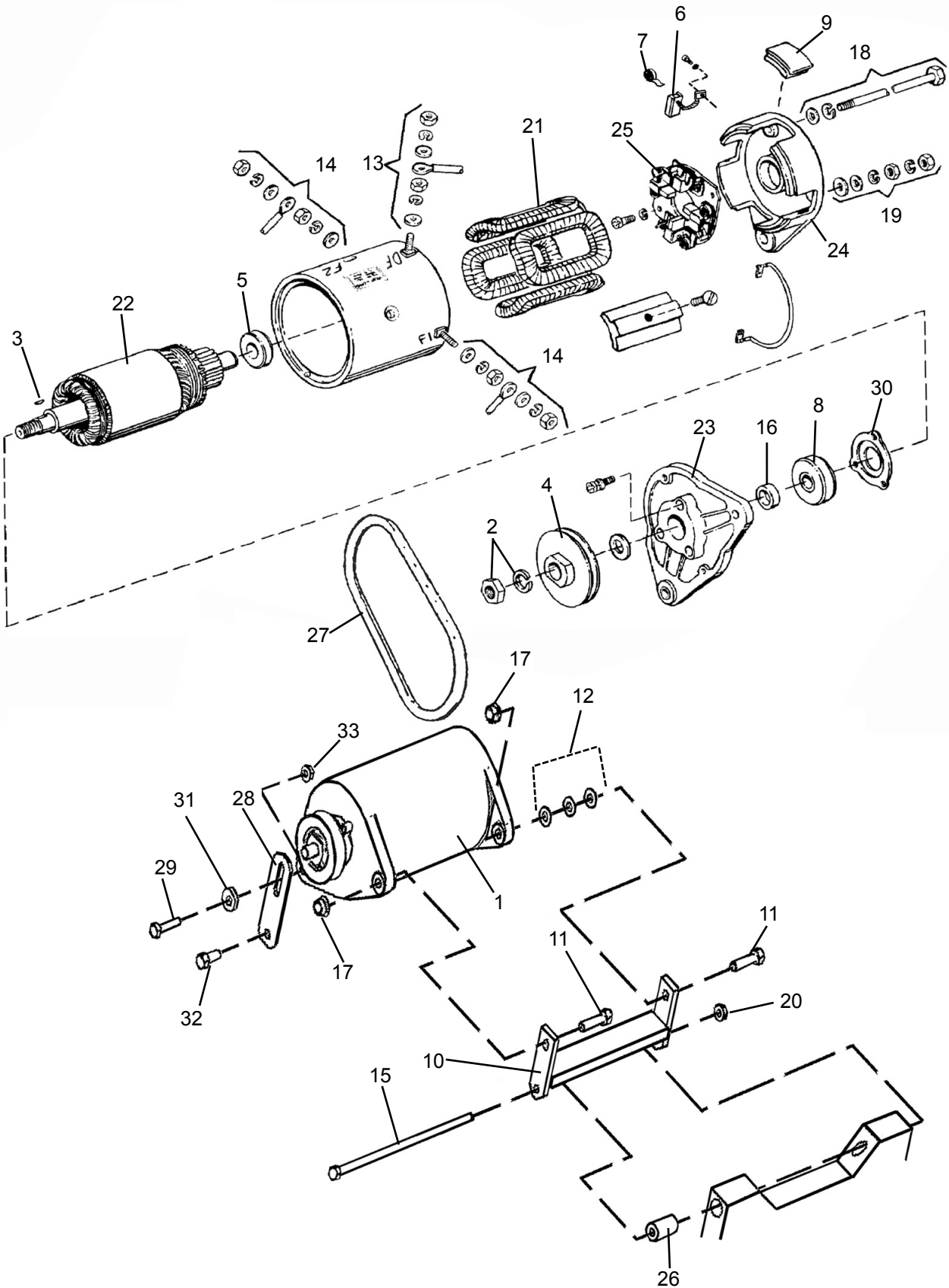
STARTER GENERATOR (Late 1997- Early 1998)



ITEM NO.	PART NO.	DESCRIPTION	QTY.	Beginning V.I.N. to Ending V.I.N.
1	31553-95	Nut and Lockwasher	1	8E-27397-D7 to 8E-28413-D8
2	30877-95	Woodruff Key	1	8C-25031-D6 to 8C-25080
3	31551-95	Pulley-V-Belt	1	8U-25040 to 8U-25054
4	30154-95	Bearing	1	8D-25017 to 8D-25039
5	30443-95	Brush, Single	4	8S-25014 to 8S-25030
6	N/A	Brush Spring	4	8F-25064 to 8F-25069
7	N/A	Assembly, Brush Holder	1	8X-25013 to 8X-25030
8	30153-95	Bearing	1	8Z-00001 to 8Z-00006
9	N/A	Headband Assy.	1	9X-10001 to 9X-10029
10	30083-95	Starter/Gen. Assy.	1	9S-10001 to 9S-10004
11	31310-96	Bracket, Starter/Gen. Mounting	1	
12	31322-96	Bracket, Adjustment	1	
13	4014-W	Screw, Hex Cap 5/16-24x1 1/4"	3	
14	4713-W	Screw, Hex Cap 3/8-16x3/4"	1	
15	7041-B	Lockwasher, Split 5/16"	3	
16	6702-B	Washer, Plain N-Type 5/16	3	
17	4750	Bolt, Hex Hd. Grd 8 5/16-18x7 1/2"	1	
18	36389-96	Belt, Starter/Gen. (9hp Only)	1	
	36391-98	Belt, Starter/Gen. (13hp Only)	1	
19	6607-W	Washer, Zinc	1	
20	7753	Nut, Hex 5-16-24	2	
21	7810	Locknut, Flange 5/16-18	1	
*	89559-97	Tool, Belt Tension	1	

* Not Pictured in Illustration

STARTER GENERATOR (Late 1998 - 2000)

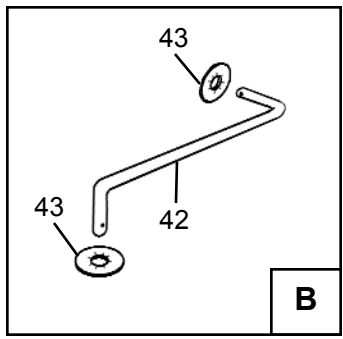
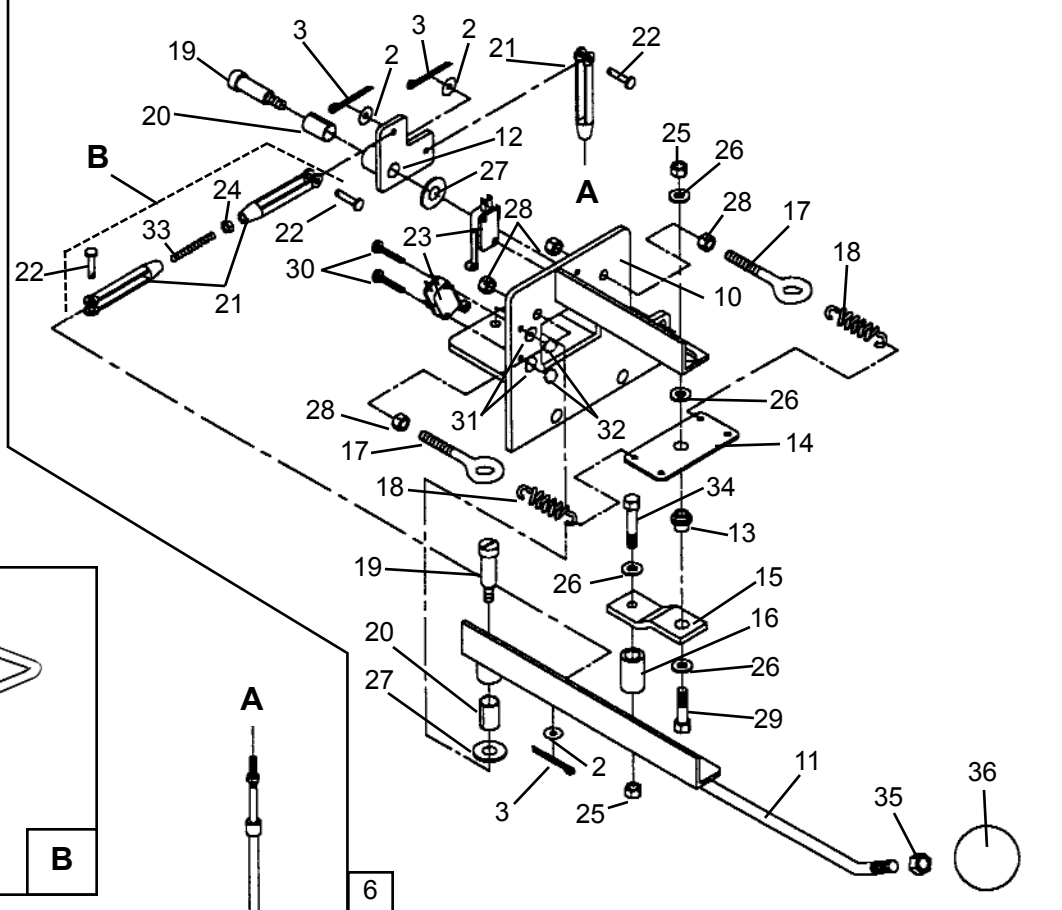


STARTER GENERATOR Late 1998 - 2000)

ITEM NO.	PART NO.	DESCRIPTION	QTY.	Beginning V.I.N. to Ending V.I.N.
1	30083-98	Assy., Starter/Gen.	1	8E-28414-D8 to _____
2	30449-98	Kit, Pulley Nut and Washer	1	8C-25031-D6 to 8C-25080
3	30877-95	Key, Woodruff	1	8U-25055 to _____
4	31551-95	Pulley, V-Belt	1	8D-25040 to _____
5	30154-98	Bearing	1	8S-25031 to _____
6	30443-98	Brush, Single	4	8F-25070 to _____
7	30445-98	Spring, Brush	4	8X-25031 to _____
8	30153-95	Bearing	1	8Z-00007 to _____
9	30442-98	Cover, Brush	3	9F-25200 to _____
10	31313-00	Bracket, Starter/Gen. Mounting	1	9U-30000 to _____
11	4716-W	Screw, Hex Cap 5/16-24x1 1/4"	2	9X-25100 to _____
12	10603	Washer (Shim .030)	A/R	9J-25101 to _____
	10605	Washer (Shim .050)	A/R	9N-25001 to _____
	10604	Washer (Shim .040)	A/R	9D-25100 to _____
13	30394-98	Assy., Insulating Brush "DF"	1	9S-27001 to _____
14	30395-98	Assy., Insulating Brush "F"	1	9H-21001 to _____
15	4750	Bolt, Hex Hd Grd 8, 5/16-18x71/2"	1	
16	30447-98	Washer (Spacer)	1	
17	7775	Locknut, Flange 3/8-16	2	
18	30461-98	Through Bolts w/Washers	2	
19	30446-98	Assy., "A" Term	2	
20	7810	Locknut, Flange 5/16-18	1	
21	30210-98	Assembly, Field Coil	1	
22	30860-98	Assembly, Armature	1	
23	30111-98	Cover, Drive End	1	
24	30110-98	Cover, Brush End	1	
25	30351-77	Assembly, Brush Holder	1	
26	5739	Spacer	1	
27	36389-96	Belt, Starter/Gen. (9HP)	1	
	36361-98	Belt, Starter/Gen. (13HP)	1	
28	31322-96	Arm, Adjustment	1	
29	4014-W	Screw, Hex Cap 5/16-24x1/4	1	
30	N/A	Bearing Holder Plate	1	
31	6007-W	Washer	1	
32	4713-W	Screw, Hex Cap 3/8-16x3/4"	1	
33	7753	Nut, Hex Cap 5/16-24	1	
*	89559-97	Tool, Belt Tension	1	

* Not Pictured in Illustration

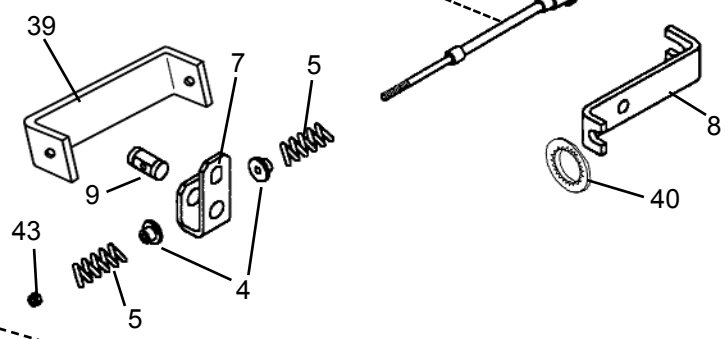
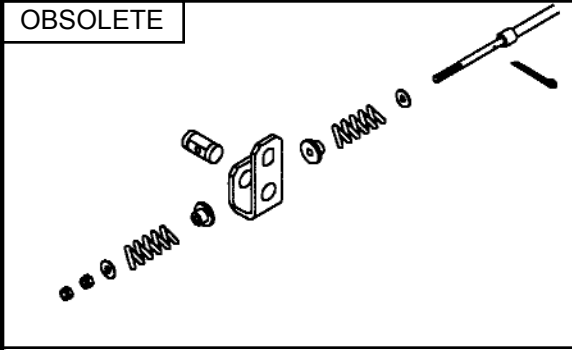
FORWARD AND REVERSE SHIFTER - ALL GASOLINE VEHICLES (1996 - 1999)



A

6

OBSOLETE

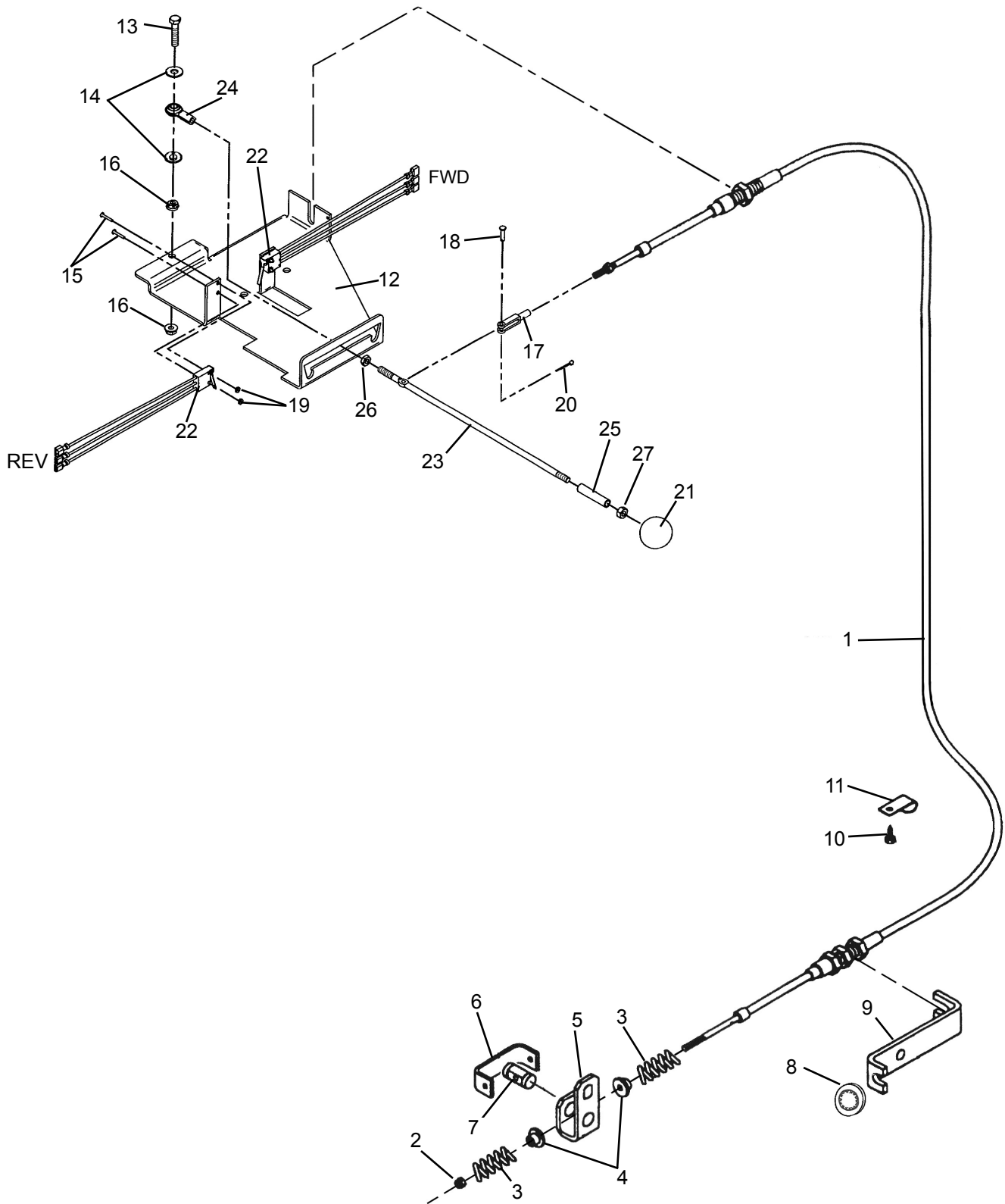


FORWARD AND REVERSE SHIFTER - ALL GASOLINE VEHICLES (1996 - 1999)

ITEM NO.	PART NO.	DESCRIPTION	QTY.	Beginning V.I.N. to Ending V.I.N.
1	33606-96	Shifter Cable (P4G, G4S)	1	8E-25100-D6 to 8E-30526-E0
	33608-96	Shifter Cable (GU4, GD4)	1	8C-25001-D6 to 8C-25080
	33609-96	Shifter Cable (FG, C6G, GUXB)	1	
2	6703-B	Washer	3	8U-25001 to 8U-30007
3	515	Pin, Cotter	3	8D-25001 to 8D-30025
4	71799-68	Bushing, Guide	2	8S-25001 to 8S-30003
5	82860-97	Spring	2	
6	39012-96	Shifter Assy (I/C Vehicles)	1	8F-25001 to 8F-30001
	39013-96	Shifter Assy (Golf Vehicles)	1	8X-25001 to 8X-30010
7	33600-96	Lever, Transaxle Shift	1	8Z-00001 to 8Z-00007
8	71024-96	Bracket, Cable -Transmission (9 & 13hp)	1	9F-25200 to 9F-25200
	71025-99	Bracket, Cable (13HP W/Heavy Duty Axle Using Hydraulic Drum Brakes Only)	1	
9	82829-96	Pin, Pivot	1	9U-30000 to 9U-30001
10	39010-96	Weldment, Shift Mounting	1	9X-30000 to 9X-30001
11	39020-96	Arm, Shift	1	9J-25101 to 9J-25101
12	40487-96	Weldment, Bellcrank	1	9D-30000 to 9D-30011
13	33614-96	Washer, Double Shoulder	1	
14	47602-96	Spring, Return Plate	1	9S-27001 to 9S-30004
15	39014-96	Overcenter Arm	1	9H-21003 to 9H-30001
16	33616-96	Standoff	1	9N-25002 to 9N-30001
17	82857-96	Screw, Spring Adjustment	2	
18	11810-96	Spring, Extension	2	
19	42520-96	Post, Pivot	2	
20	43903-96	Bushing, Self-Lube	2	
21	42475-98	Clevis, Shift Cable	3	
22	502	Pin, Clevis	3	
23	71506-77	Microswitch	2	
24	7638	Nut, Hex Cap #10-3	2	
25	7742	Nut, Threeway Crown	2	
26	6703-B	Washer	4	
27	6000-B	Washer	2	
28	7688-B	Nut, 1/4-20	4	
29	2551-W	Screw, Hex Cap 1/4-20x1"	1	
30	2506	Screw #4-40x7/8"	4	
31	50312-83	Washer	8	
32	7500	Nut, Nylok #4-40	4	
33	4003	Stud, Threaded	1	
34	2599	Screw, Phillips Head	1	
35	7748-B	Nut, Hex Cap 5/16-18	1	
36	33632-96	Knob, Black (I/C Vehicles)	1	
	33660-96	Knob, Golf Ball (Golf Vehicles)	1	
37	3358	Clamp, Cable	3	
38	2653-B	Screw, Tek #10x3/4"	3	
39	33601-97	Bracket	1	
40	7130-W	Washer, Internal Tooth	1	
41	42474-98	Linkage, Shift	1	
42	5298	Fastner, Push Nut	3	
43	7638	Nut, Hex #10-32	1	

* Not Pictured in Illustration

FORWARD AND REVERSE SHIFTER - ALL GASOLINE VEHICLES (2000)

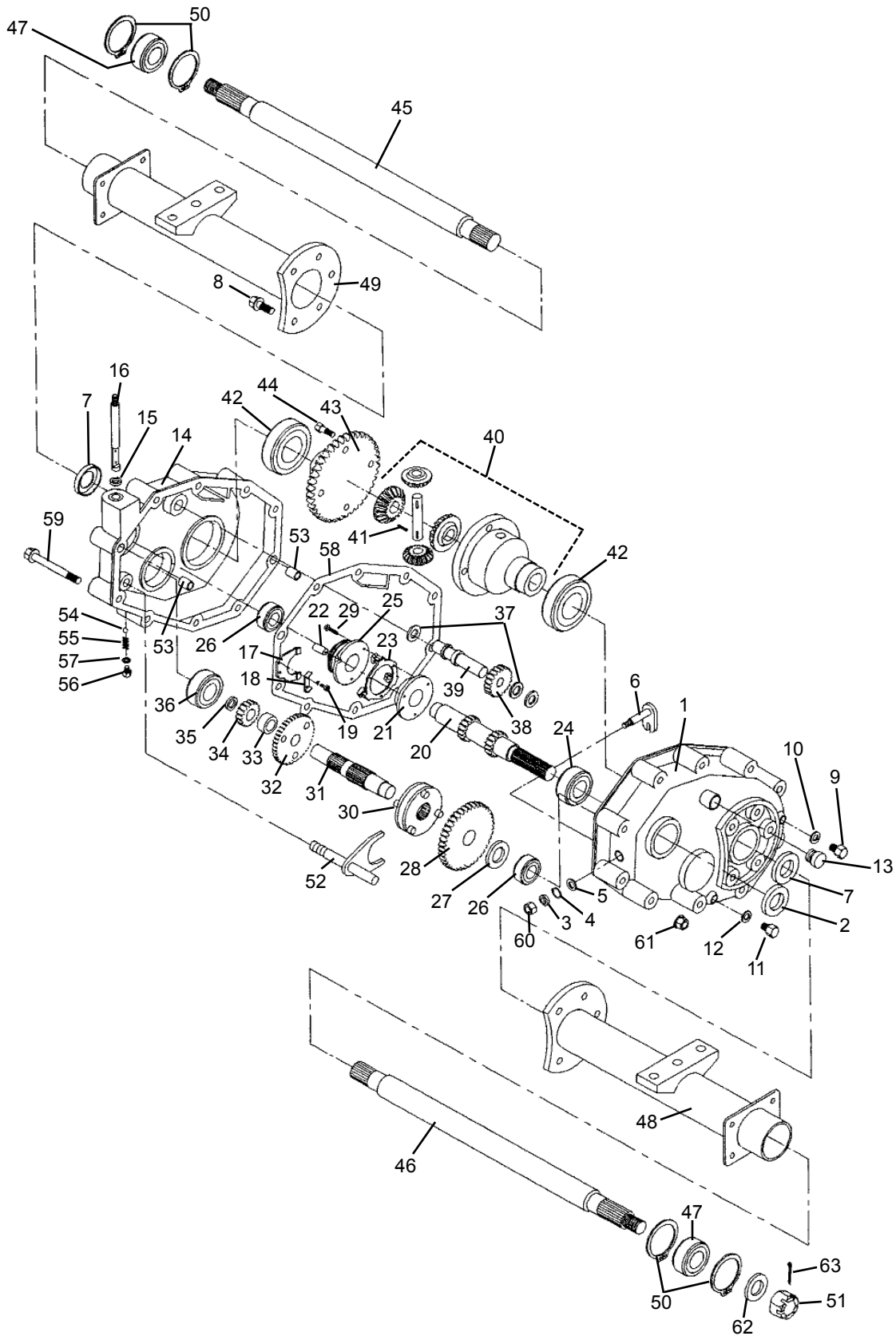


FORWARD AND REVERSE SHIFTER - ALL GASOLINE VEHICLES (2000)

ITEM NO.	PART NO.	DESCRIPTION	QTY.	Beginning V.I.N. to Ending V.I.N.
1	33606-96	Shifter Cable (P4G, G4S)	1	8E-31000-E1 to _____
	33608-96	Shifter Cable (GU4, GD4)	1	8U-30008 to _____
	33609-96	Shifter Cable (FG, C6G, GUXB)	1	8D-30026 to _____
2	7638	Nut, Hex #10-32	1	8S-30004 to _____
3	82860-97	Spring	2	8F-30002 to _____
4	71799-68	Bushing, Guide	2	8X-30011 to _____
5	33600-96	Shift Lever, Transaxle	1	8Z-00008 to _____
6	33601-97	Bracket, Spring	1	9F-25201 to _____
7	82829-96	Pin, Pivot	1	9U-30002 to _____
8	7130-W	Washer, Internal Tooth	1	9X-30002 to _____
9	71024-96	Bracket, Cable-Transmission (9 & 13hp)	1	9J-25102 to _____
	71025-99	Bracket, Cable (13hp Heavy Duty Axle Using Hydraulic Drum Brakes Only)	1	9D-30012 to _____
10	2653-B	Screw	3	9S-30005 to _____
11	3358	Clamp, Cable	3	9H-30002 to _____
12	39019-00	Assy., Shifter (Includes Items 13-27)	1	9N-30002 to _____
13	2818	Screw, Hex Cap 5/16-18x1 1/2"	1	
14	6000-B	Washer, Plain 5/16	2	
15	2510	Screw, Slotted #4-40x3/4"	4	
16	7525	Locknut, Flange 5/16-18	2	
17	42475-98	Clevis, Shift Cable	1	
18	502	Pin, Clevis 3/16x3/4"	1	
19	7500	Nut, Nylox #4-40	4	
20	515	Pin, Cotter 1/16x3/4"	1	
21	33660-96	Knob, Golf Ball (Golf Vehicles)	1	
	33632-96	Knob, Black (I/C Vehicles)	1	
22	71512-00	Microswitch, Shifter	2	
23	39015-00	Lever, Forward/Reverse	1	
24	57019-00	Rod, End 5/16	1	
25	39017-00	Tube, Guide - Shifter	1	
26	7744	Nut, Hex Jam 5/16-24	1	
27	7748-B	Nut, Hex Cap 5/16-18	1	
*	3991	Screw, Hex Cap 5/16-18x7/8" (Shifter Mounting)	2	
*	7740-B	Locknut, 5/16-18 (Shifter Mounting)	2	
*	6702-B	Washer 11/32 (Shifter Mounting)		

* Not Pictured in Illustration

REAR TRANSAXLE (GASOLINE) - P4G, G4S, FG, C6G, GU4, GUXB, GD4



REAR TRANSAXLE (GASOLINE) - P4G, G4S, FG, C6G, GU4, GUXB, GD4

ITEM NO.	PART NO.	DESCRIPTION	QTY.	Beginning V.I.N. to Ending V.I.N.
1	82741-96	Case, LH Complete	1	Vehicles Using Splined Input Shaft 8E-25100-D6 to 8E-29831-D9 8C-25001-D6 to 8C-25080 8U-25001 to 8U-25099 8D-25001 to 8D-25057 8S-25001 to 8S-25055 8F-25001 to 8F-25080 8X-25001 to 8X-28052 8Z-00001 to 8Z-00007
2	82704-96	Oil Seal Input Shaft	1	
3	82727-96	Oil Seal Shift Selector	1	
4	83064-96	Snap Ring Shift Selector	1	
5	83053-96	Spacer 12 mm	1	
6	82692-96	Select Shaft Complete	1	
7	82763-96	Oil Seal Axle Shaft	2	
8	82719-96	Bolt, Flange M10 x 1.5 x 23 mm	10	
9	82749-96	Plug, Oil Check	1	
10	82734-96	Gasket 8 mm	1	
11	82750-96	Plug, Oil Drain	1	
12	83043-96	Gasket 14 mm	1	
13	82737-96	Plug, Oil Filter	1	
14	82743-96	Case, RH Complete	1	
15	83052-96	Oil Seal Governor Shaft	1	
16	82957-96	Shaft, Governor	1	
17	82959-96	Fork, Governor	1	
18	82903-96	Stopper	1	
19	82748-96	Assy., Screw Washer	2	
20	82694-96	Input Shaft Complete, Splined (Incl. #21-24, 29)	1	
*	82694-99	Input Shaft Complete, Keyed Shaft (Incl. #21-24, 29)	1	Vehicles Using Keyed Input Shaft 8E-29832-D9 to _____ 8U-25100 to _____ 8D-25058 to _____ 8S-25056 to _____ 8F-25081 to _____ 8X-28053 to _____ 8Z-00008 to _____ 9F-25200 to _____ 9U-30000 to _____ 9X-25100 to _____ 9D-25100 to _____ 9S-27001 to _____
21	82961-96	Governor Base	1	
22	83105-96	Pin, Lock	1	
23	82963-96	Governor Plate Unit	1	
24	83032-96	Bearing, Ball (6205)	1	
25	82965-96	Governor Sleeve Complete	1	
26	83033-96	Bearing, Ball (6204)	2	
27	83048-96	Spacer 20 mm	1	
28	82937-96	Gear, 55 mm	1	
29	83058-96	Screw and Washer Assy.	2	
30	82793-96	Pin, Clutch	1	
31	82690-96	Center Shaft	1	
32	82939-96	Gear, 47 mm Complete	1	
33	82970-96	Collar 24 x 12"	1	
34	82941-96	Gear, 16 mm	1	
35	82972-96	Collar 24 x 6 mm	1	
36	83034-96	Bearing, Ball (6304)	1	
37	83062-96	Spacer 17 x 3	2	
38	82943-96	Gear, 34 mm Complete	1	
39	82696-96	Counter Shaft	1	
40	82891-96	Diff. Case Complete	1	
41	83103-96	Spring Pin	2	
42	83035-96	Ball Bearing (6008)	2	
43	82945-96	Gear, 62 mm Complete (Incl. #42)	1	
44	83106-96	Bolt M10 x 1.25 x 26 mm	4	
45	82702-96	Axle Shaft RH Complete (Incl. #47)	1	
46	82703-96	Axle Shaft LH Complete (Incl. #47)	1	
47	83036-96	Ball Bearing (6205DD)	2	
48	82745-96	Axle Case LH Complete (Incl. #50)	1	
49	82746-96	Axle Case RH Complete (Incl. #50)	1	
50	82706-96	Snap Ring 52 mm	4	
51	82713-96	Castle Nut 3/4-16 mm	2	
52	82698-96	Shift Shaft, Complete	1	
53	82930-96	Pipe Knock	2	
54	82940-96	Ball, Steel	1	
55	83182-96	Spring	1	
56	83115-96	Bolt M10 x 1.25 x 12 mm	1	
57	83044-96	Gasket, 10 mm	1	
58	83113-96	Gasket (Case)	1	
59	83230-96	Bolt, Flange M8 x 1.25 x 100 mm	9	
*	83232-96	Bolt, Flange M8 x 1.25 x 110 mm	1	
60	82938-96	Nut, Self Lock M8 x 1.25 mm	1	
61	7503	Nut, Flange M8 x 1.25 mm	10	
62	5908-B	Spacer, Axle (Washer)	2	
63	520-W	Pin, Cotter	2	
64	82813-96	Transaxle Assy, Splined Input Shaft	1	
*	82813-99	Transaxle Assy, Keyed Input Shaft	1	
*	11207	Key, 3/16x2"	1	
*	82813-96R	Remanufactured Transaxle Assy W/Splined Input Shaft	1	

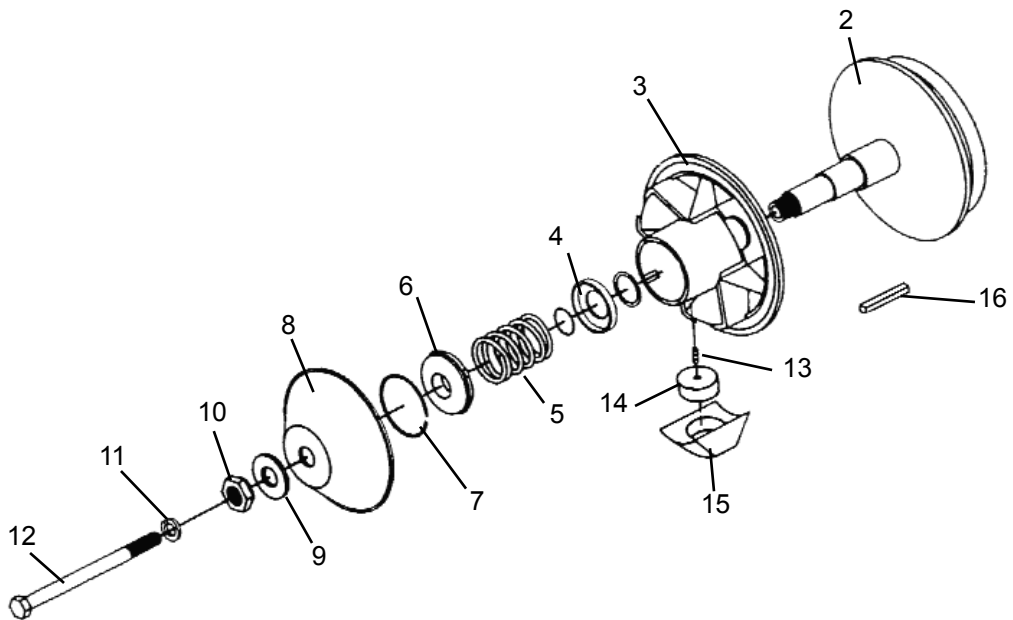
* Not Pictured in Illustration

REAR TRANSAXLE (Gasoline) - GU2400, GU2400XB, C10G

ITEM NO.	PART NO.	DESCRIPTION	QTY.	Beginning V.I.N. to Ending V.I.N.
1	82747-98	Housing, Set Axle LH and RH	1	8E-25100-D6 to _____
2	82747-98	Housing, Set Axle LH and RH	1	8C-25001-D6 to _____
3	82714-00	Bearing, Ball	1	8U-25001 to _____
4	83239-00	Shaft, Input	1	8D-25001 to _____
5	82620-00	Assy., Backing Plate	1	8S-25001 to _____
6	82621-00	Assy., Actuating Sleeve	1	8F-25001 to _____
7	82622-00	Kit, Shim	1	8X-25001 to _____
8	82810-90	Bearing, Ball	1	9F-25200 to _____
9	90005-90	Bearing, Ball	2	9U-30000 to _____
10	82946-98	Gear, Final Drive (Ring)	1	9X-30000 to _____
11	83212-00	Assy., Differential Case	1	9J-25101 to _____
12	82721-00	Seal, Oil	2	9D-30000 to _____
13	83101-90	Screw, Cap	4	9S-27001 to _____
14	83107-90	Nut, Lock	4	9H-21003 to _____
15	82715-00	Bearing, Ball	2	9N-25002 to _____
16	82933-98	Assy., Gear (Forward Drive)	1	
17	82780-98	Gear, Clutch	1	
18	83241-00	Shaft, Intermediate	1	
19	83242-00	Assy., Gear (Reverse Drive)	1	
20	82935-98	Gear, Final Drive (Pinion)	1	
21	82944-98	Gear Assy. (Idler)	1	
22	82716-00	Ring, Snap	1	
23	82927-98	Pin, Dowel or Straight	2	
24	82823-67A	Vent	1	
25	83238-98	Screw, Flange Head 1/4-20	13	
26	7693	Locknut, Flange 1/4-20	13	
27	82623-00	Kit, Detent (Items not serviced Separately)	1	
28	82720-00	Seal, Oil	1	
29	82624-00	Assy., Shift Rod	1	
30	82625-00	Actuator Assembly, Shift	1	
31	83114-98	Washer, Flat	9	
32	7725	Locknut, Nylok 5/16-24	1	
33	82721-00	Seal, Oil	1	
34	90008-00	Plug, Fill	1	
35	82753-98	Screw, Flange Head	12	
36	82755-98	Assy., Tube (LH)	1	
37	82754-98	Assy., Tube (RH)	1	
38	83116-93	Screw, Socket Head	8	
39	83160-93	Seal, Oil	2	
40	83167-93	Ring, Retaining	2	
41	83100-73	Bearing & Race, Tapered	2	
42	82811-93	Seal, Outer Oil	2	
43	83120-93	Nut, Lock	8	
44	82758-98	Shaft, Axle LH	1	
45	82757-98	Shaft, Axle RH	1	
46		Bolt, Wheel	10	
47	82830-93	Drum, Brake	2	
48	82626-00	Kit, Thrust Washer	1	
49	82627-00	Kit Governor Actuator	1	
*	90015-00	Kit, LH Axle Shaft and Wheel Bolts (Incl Items 51 & 53)	1	
*	90016-00	Kit, LH Axle Shaft and Wheel Bolts (Incl Items 52 & 53)	1	
50		Sealant, Anaerobic	A/R	
51	82861-98	Axle, Heavy Duty Hyd	1	

* Not Pictured In Illustration

TRANSMISSION - PRIMARY DRIVE

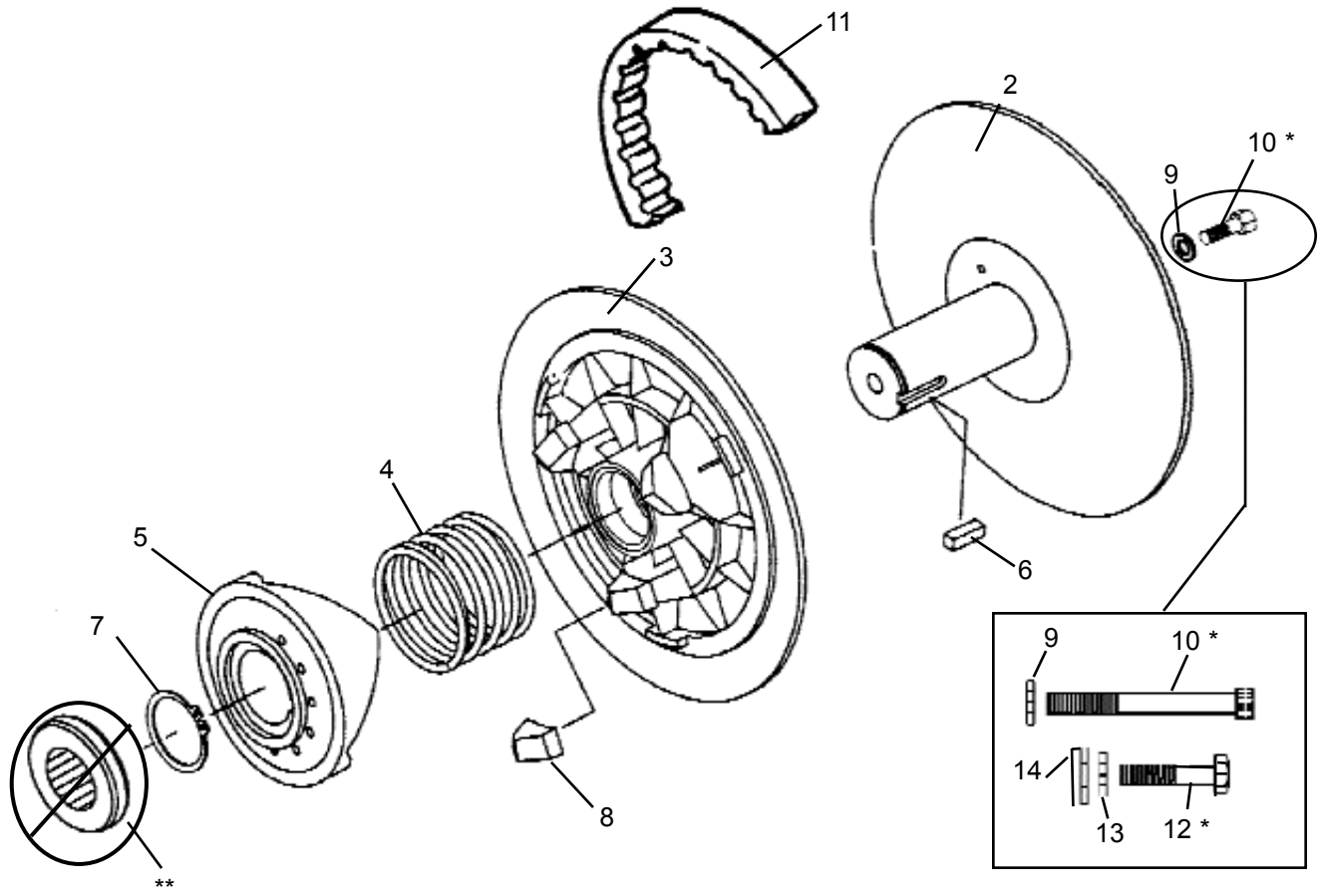


1

ITEM NO.	PART NO.	DESCRIPTION	QTY.	Beginning V.I.N. to Ending V.I.N.
1	36578-96B	Assy., Primary Transmission 9hp (Incl. Items 1-18)	1	8E-25100-D6 to _____
	36592-98	Assy., Primary Transmission 13hp (Incl. Items 1-18)	1	8C-25001-D6 to 8C-25080
2	36592-98	Pri-Clutch, 13hp (Yellow Starter Pulley)	1	8U-25001 to _____
	36570-96	Pulley, Fixed Half	1	8D-25001 to _____
	31552-99	Pulley, Fixed Half (13hp Starter Pulley)	1	8S-25001 to _____
3	36574-92	Pulley, Sliding Half	1	8F-25001 to _____
4	36575-92	Washer, Shoulder	1	8X-25001 to _____
5	36579-98	Spring	1	8Z-25001 to _____
6	36577-92	Bushing, Plastic	1	9F-25200 to _____
7	36588-92	Ring, Retaining	1	9U-30000 to _____
8	36572-96	Cap, Straight	1	9X-30000 to _____
9	36580-92	Washer, Flat	1	9J-25101 to _____
10	36581-92	Nut, Jam	1	9D-30000 to _____
11	36585-92	Lockwasher	1	9S-27001 to _____
12	36586-96	Bolt, Fixing	1	9H-21003 to _____
13	36583-92	Spring, Anti-Noise	3	9N-25002 to _____
14	36584-98	Weight, Centrifugal	3	
15	36598-92	Block, Centrifugal	3	
16	36568-96	Key, Rectangular	1	
*	36578-98	Shim, Clutch	3	

* Not Pictured in Illustration

TRANSMISSION - SECONDARY DRIVEN (1996 - Early 1997)



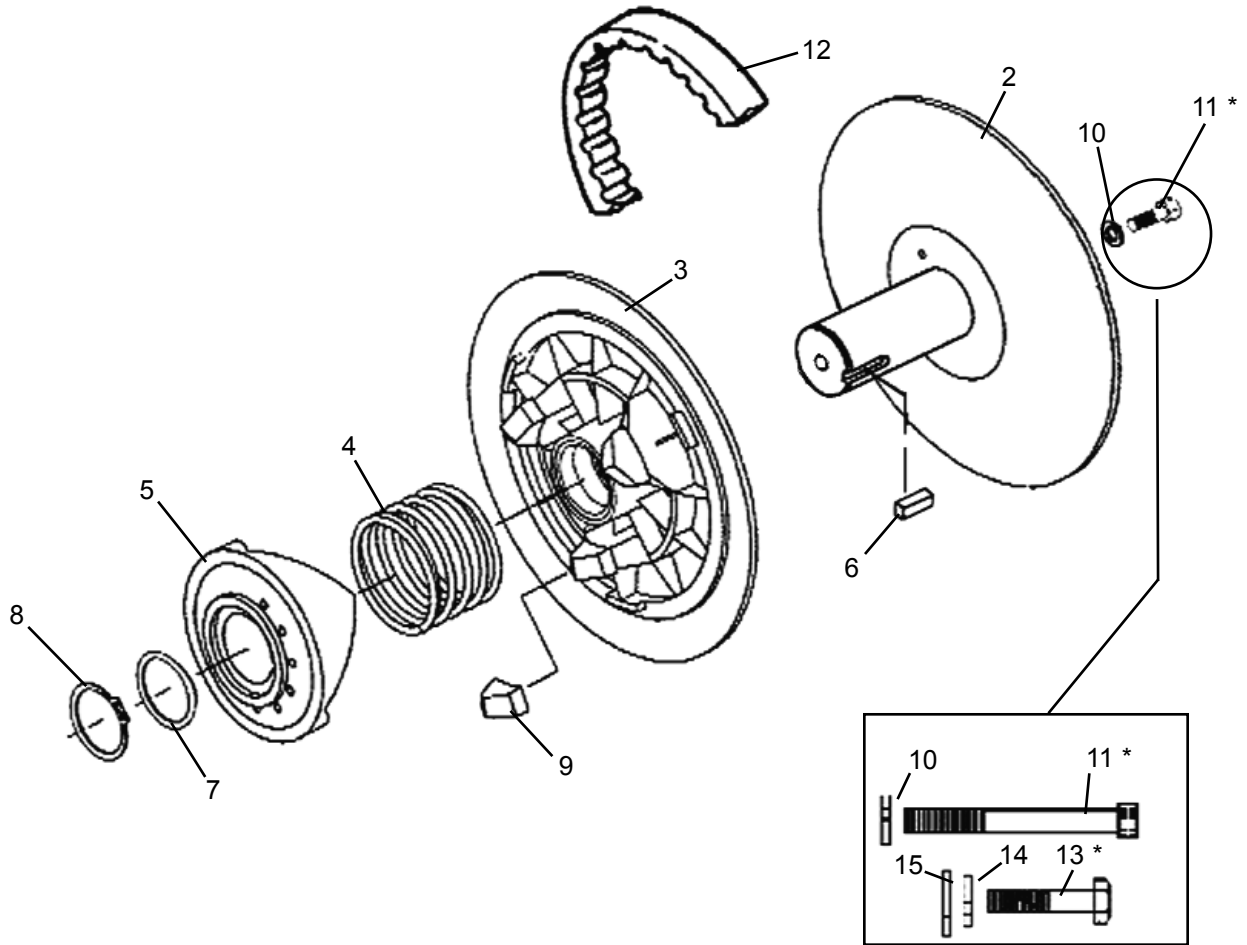
ITEM NO.	PART NO.	DESCRIPTION	QTY.	Beginning V.I.N. to Ending V.I.N.
1	33245-96	Assy., Secondary Transmission (Incl. Items 2-7) SEE 2-33A	1	8E-25100-D6 to 8E-27341-D7 8C-25001-D6 to 8C-25030-D6
2	33249-96	Half-Pulley, Fixed - Secondary	1	8U-25001 to 8U-25040
3	33246-96	Half-Pulley, Sliding	1	8D-25001 to 8D-25016
4	33260-96	Spring, Converter	1	8S-25001 to 8S-25013
5	33250-92	Cam, Fixed	1	8F-25001 to 8F-25063
6	33254-92	Key, Square	1	8X-25001 to 8X-25012
7	33251-92	Ring, Snap	1	
8	33247-96	Cam Shoe	3	
9	7041-B	Lockwasher, 5/16"	1	
10	3412	Bolt, 5/16-18 x 2 1/2" - Grade 8	1	
11	36398-96	Belt, Drive	1	
12	4018	Bolt, Hex Hd - 5/16-18 x 1 1/4 - Grade 8	1	
13	7037	Lockwasher, 5/16 - Heavy Duty	1	
14	6350	Washer, Flat 5/16 - Hardened	1	

* Not Pictured in Illustration

CAUTION: * Secondary Driven Transmission mount bolt (Item #10 or 12) may vary in type and length due to changes in the Secondary Driven Transmission. Visual inspection is required to determine which hardware will be used on each vehicle.

** Secondary Driven Transmission spacer was used on many 1996, 1997 vehicles. At any time the driven transmission is replaced, this spacer must be removed and discarded

TRANSMISSION - SECONDARY DRIVEN (Late 1997- Early 1999)



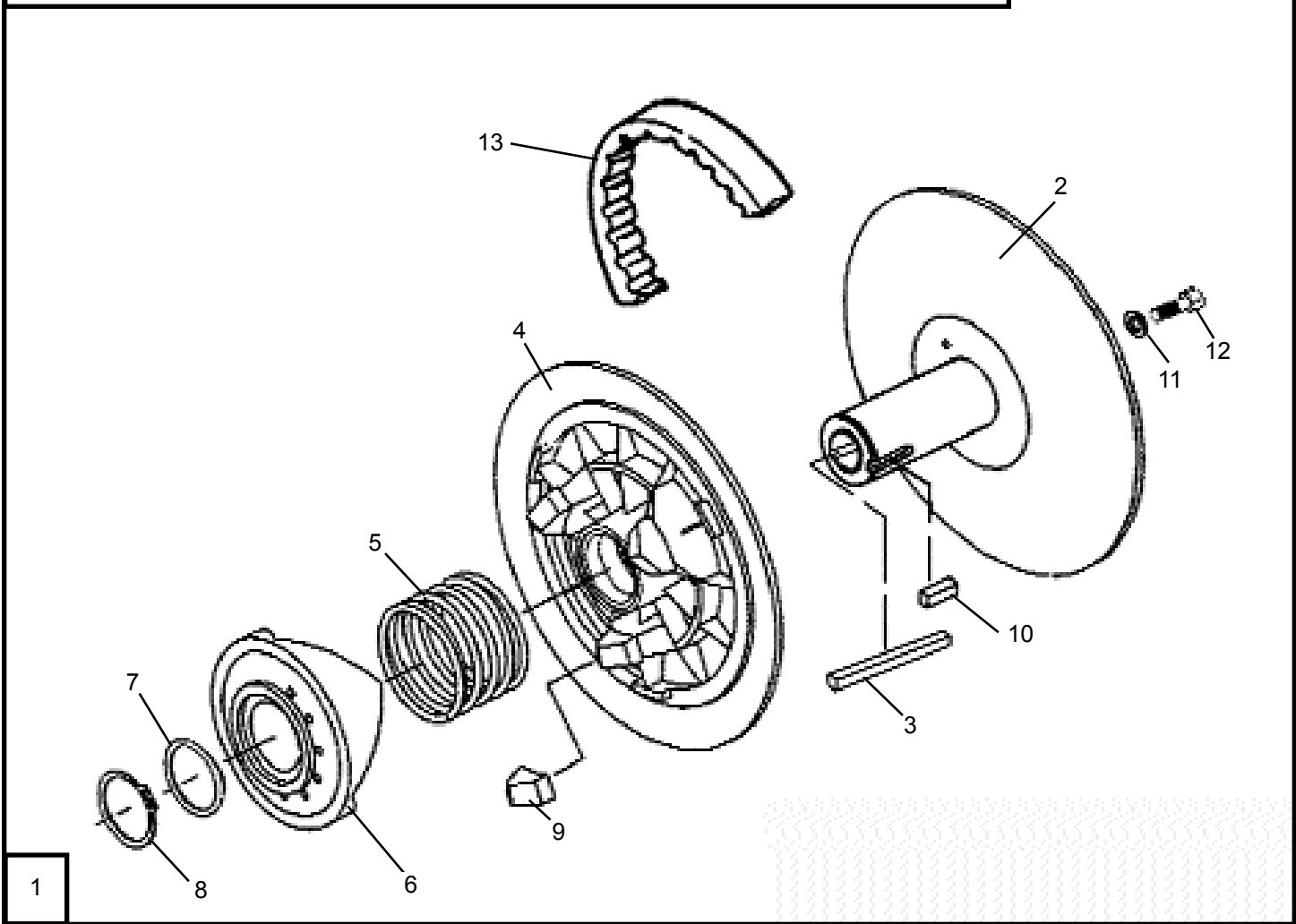
1

ITEM NO.	PART NO.	DESCRIPTION	QTY.	Beginning V.I.N. to Ending V.I.N.
1	33245-96	Assy., Secondary Transmission (Incl. Items #2-7) (SEE 2-33A)	1	<p>Beginning V.I.N. to Ending V.I.N.</p> <p>(*Before 2/1/98) 8E-27342-D7 to 8E-28353-D8 8C-25031-D6 to 8C-25080 8U-25041 to 8U-25054 8D-25017 to 8D-25039 8S-25014 to 8S-25030 8F-25064 to 8F-25069 8X-25013 to 8X-25031</p> <p>(**After 2/1/98) 8E-27354-D8 to 8E-29831-D9 8U-250551 to 8U-25099 8D-25031 to 8D-25057 8S-25014 to 8S-25055 8F-25070 to 8F-25080 8X-25031 to 8X-28052 9X-25100 to 9X-25102 9H-21001 to 9H-21002 9N-25001 to 9N-25001</p>
2	33249-96	Half-Pulley, Fixed (Splined Input Shaft)	1	
	33249-99	Half Pulley, Fixed (Keyed Input Shaft)	1	
3	33246-96	Half-Pulley, Sliding	1	
4	33260-96	Spring, Converter	1	
5	33250-92	Cam, Fixed	1	
6	33254-92	Key, Square	1	
7	33252-96	Washer, Shim	1	
8	33251-92	Ring, Snap (Mfg before 2/1/98) *	1	
	33251-98	Ring, Snap (Mfg after 2/1/98) **	1	
9	33247-96	Cam Shoe	3	
10	7041-B	Lockwasher, 5/16"	1	
11	3412	Bolt, 5/16-18 x 2 1/2", Grade 8	1	
12	36398-97	Belt, Drive	1	
*	36395-97	Belt, Drive (Improved Hill Climbing)	1	
13	4018	Bolt, Hex Hd - 5/16-18 x 1 1/4	1	
14	7037	Lockwasher, 5/16 - Heavy Duty	1	
15	6350	Washer, Flat 5/16 - Hardened	1	
*	33245-99	Keyed Shaft, (13hp W/Hyd, Drum Brake Axle)	1	

* Not Pictured in Illustration

CAUTION: * Secondary Driven Transmission mount bolt (Item #11, 13) may vary in type and length due to changes in the Secondary Driven Transmission. Visual inspection is required to determine which hardware will be used on each vehicle.

TRANSMISSION - SECONDARY DRIVEN (Late 1999 & 2000)



ITEM NO.	PART NO.	DESCRIPTION	QTY.	Beginning V.I.N. to Ending V.I.N.
1	33245-99	Assy., Secondary Transmission (Incl. Items #2-7) SEE 2-33A	1	8E-29832-D9 to _____
2	33249-99	Half Pulley, Fixed (Keyed Shaft)	1	8U-25100 to _____
3	11207	Key, Square 3/16x2"	1	8D-25058 to _____
4	33246-96	Half-Pulley, Sliding	1	8S-25056 to _____
5	33260-96	Spring, Converter	1	8F-25081 to _____
6	33250-92	Cam, Fixed	1	8X-28053 to _____
7	33252-96	Washer, Shim	1	8Z-25001 to _____
8	33251-98	Ring, Snap	1	9F-25200 to _____
9	33247-96	Cam Shoe	3	9U-30000 to _____
10	33254-92	Key, Square	1	9X-30000 to _____
11	7039	Lockwasher, 7/16"	1	9J-25101 to _____
	7068	Lockwasher, 1/2" (HD Axle, Hyd Drum Brake)	1	9D-30000 to _____
12	4256	Bolt, Hex Hd 7/16-20 x 1 1/2" - Grade 5	1	9S-27001 to _____
	4010	Bolt, Hex Hd 1/2-20 x 1 1/2" - Grade 5 (HD Axle, Hyd Drum Brake)	1	9H-21003 to _____
13	36398-97	Belt, Drive	1	9N-25002 to _____
	36395-97	Belt, Drive (Improved Hill Climbing)	1	

* Not Pictured in Illustration

SECONDARY CLUTCH PHOTOS

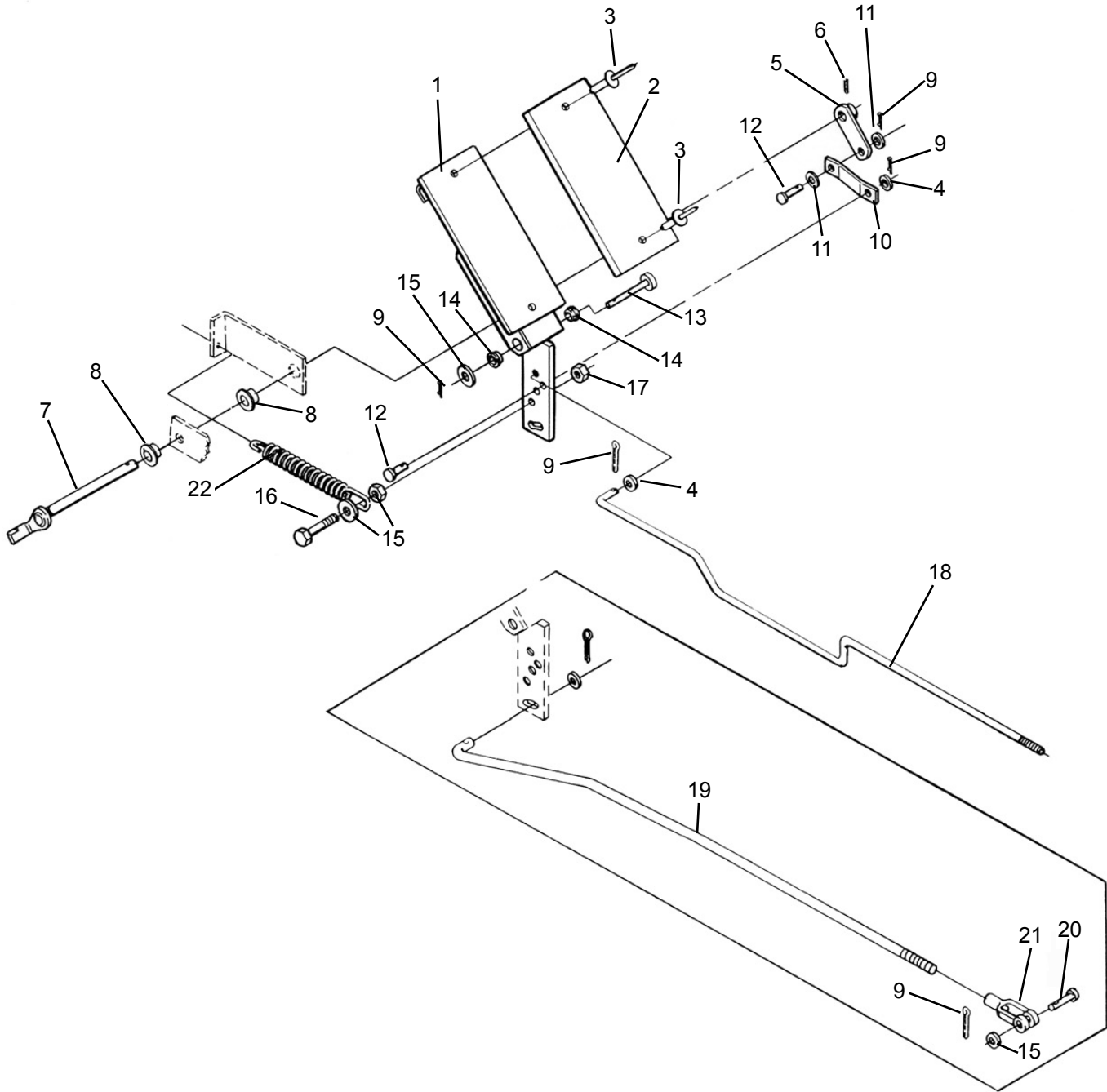
33245-96 Secondary Clutch w/Splined Shaft



33245-99 Secondary Clutch w/Keyed Shaft



ACCELERATOR ASSEMBLY (1996 - 1999)



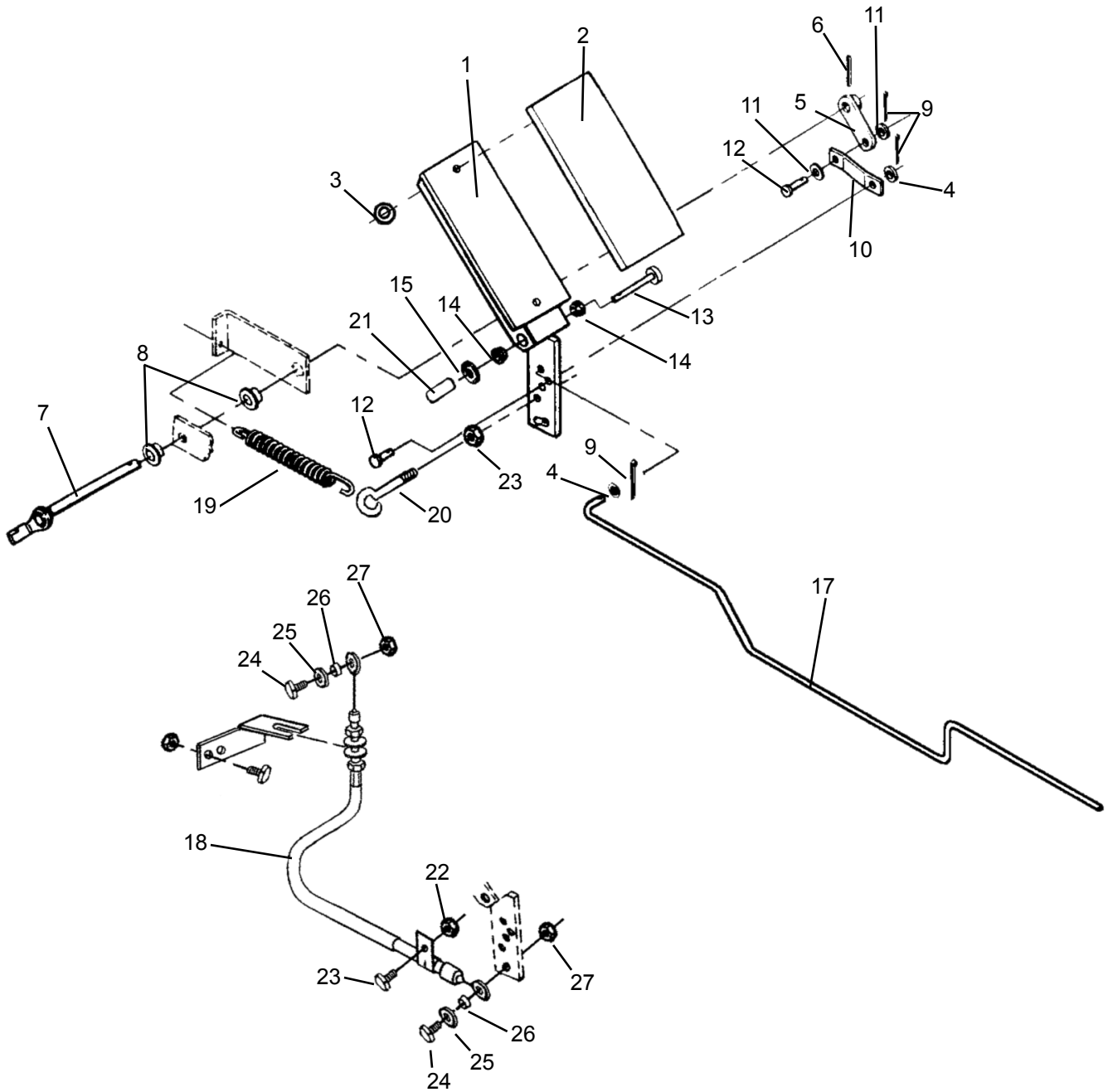
ACCELERATOR ASSEMBLY

ITEM NO.	PART NO.	DESCRIPTION	QTY.	Beginning V.I.N. to Ending V.I.N.
1	40508-92	Pedal Accelerator (Gas)	1	8E-25100-D6 to 8E-29880-D9
	40468-92	Pedal Accelerator (Electric)	1	4E-25001-D6 to 4E-28133-D8
2	40511-89	Pad, Accelerator Pedal	1	5E-27001-D7 to 5E-29703-D9
3	8684-B	Rivet	2	8C-25001-D6 to 8C-25080
4	6716	Washer #10, Plain Type A	2	4C-25001-D6 to 4C-25036
5	40801-89	Link Assembly	1	5C-25001 to 5C-25016
6	601	Pin, Roll .133x3/4"	1	8U-25001 to 8U-25102
7	40805-89A	Shaft, Kickoff	1	4U-25001 to 4U-25143
8	10502	Bushing, Kickoff Shaft	2	8D-25001 to 8D-25045
9	533	Pin, Cotter 5/64x1"	5	4D-25001 to 4D-25006
10	40803-89A	Link	1	4S-25001 to 4S-25108
11	6150-W	Washer, Steel	2	8S-25001 to 8S-25045
12	216	Clevis Pin 3/16x1/2"	2	4H-25100 to 4H-25116
13	217	Clevis Pin 1/4x2 3/4x3/4"	1	4F-25100 to 4F-25103
14	10500	Bushing, Accelerator Pedal	2	5F-25100 to 5F-25112
15	6703-B	Washer, Plain Type A	2	8F-25001 to 8F-25080
16	3454-BS	Bolt, Black 1/4-20x1 3/4"	1	8X-25001 to 8X-28053
17	7688-B	Nut, Hex Black 1/4-20	1	4X-25001 to 4X-25068
18	40504-96	Rod, Accelerator (Gas)	1	4J-27001 to 4J-27003
19	40514-90 **	Rod, Accelerator (Electric)	1	4N-25001 to 4N-25074
	40516-89A **	Rod, Accelerator (Electric Utilities and XP Plus Speed Control Systems)	1	9X-10028 to 9X25102
20	42269-70	Pin, Clevis 1/4x3/4" (Electric)	1	9N-25001 to 9N-25013
21	73062-86A	Clevis Yoke RH (Electric)	1	9J-25101 to 9J-25101
22	11805	Spring, Accelerator	1	9S-27001 to 9S-27004
				9H-21001 to 9H-21019

* Not Pictured in Illustration

** Prior to moving Speed Switch to Front of Vehicle

ACCELERATOR ASSEMBLY (2000)



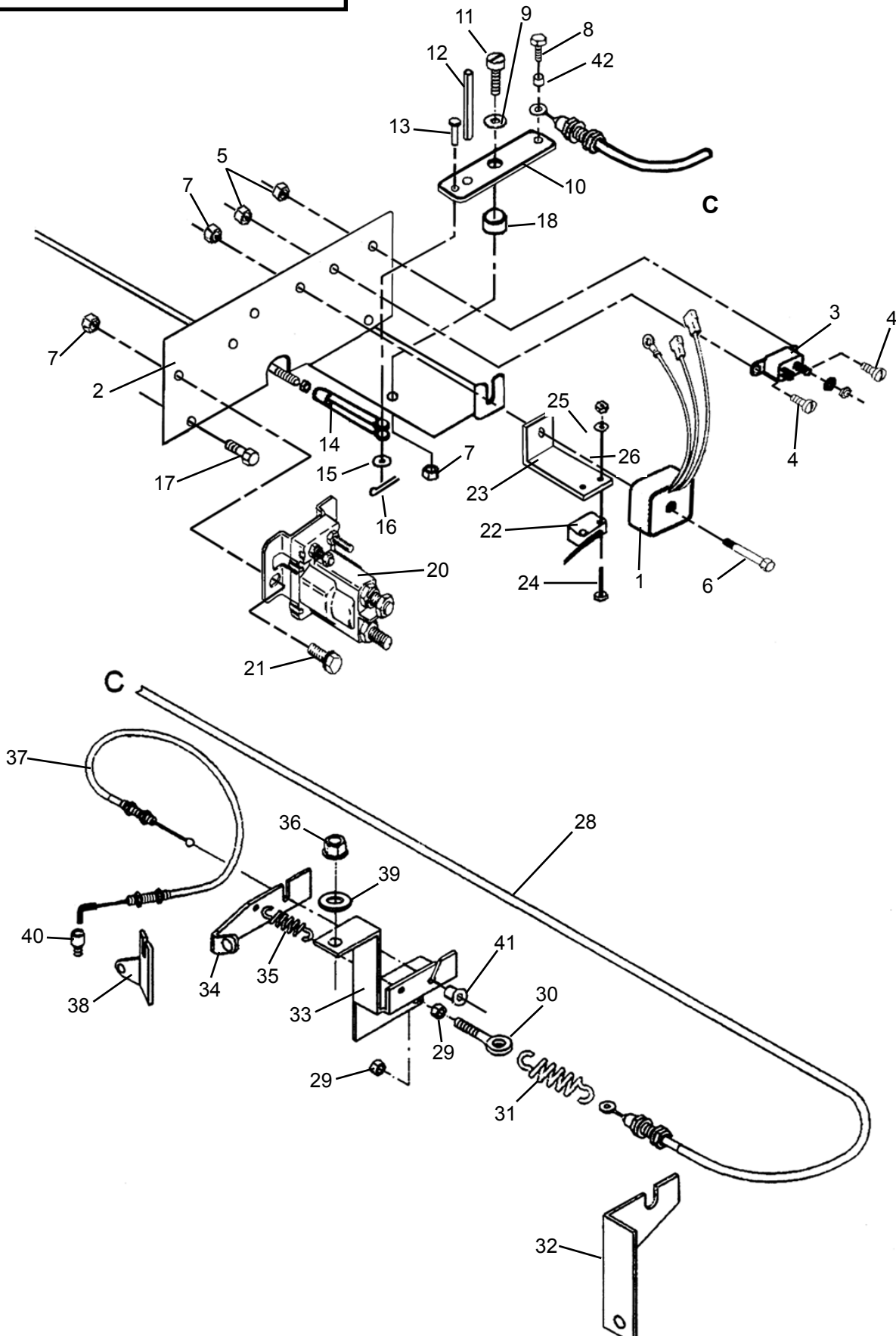
ACCELERATOR ASSEMBLY

ITEM NO.	PART NO.	DESCRIPTION	QTY.	Beginning V.I.N. to Ending V.I.N.
1	40508-00	Pedal Accelerator (Gas & Electric)	1	8E-30000-E0 to _____
2	40511-00	Pad, Accelerator Pedal	1	5E-30000-E0 to _____
3	8128	Speednut 1/4	2	8U-30000 to _____
4	6716	Washer #10, Plain Type A	3	4U-25144 to _____
5	40801-89	Link Assembly	1	8D-25046 to _____
6	601	Pin, Roll .133x3/4"	1	4D-30000 to _____
7	40805-89A	Shaft, Kickoff	1	4S-25109 to _____
8	10502	Bushing, Kickoff Shaft	2	8S-25046 to _____
9	533	Pin, Cotter 5/64x1"	4	4H-25117 to _____
10	40803-89A	Link	1	4F-25104 to _____
11	6150-W	Washer, Steel	2	5F-25113 to _____
12	216	Clevis Pin 3/16x1/2"	2	8F-25081 to _____
13	319	Clevis Pin 1/4x3 1/2"	1	8X-30000 to _____
14	10500	Bushing, Plastic	2	4X-25069 to _____
15	5290	Pushnut, 1/4	1	4J-27004 to _____
16	3454-BS	Bolt, Black 1/4-20x1 3/4"	1	4N-25075 to _____
17	40504-96	Rod, Accelerator (Gas)	1	9X-30000 to _____
18	40556-00**	Cable, Accelerator	1	9N-25015 to _____
19	11805	Spring, Accelerator	1	9D-25015 to _____
20	5240	Eyebolt, Turned 1/4-20x1"	1	9F-30000 to _____
21	11437	Cap, Plastic	1	9U-30000 to _____
22	7724-B	Locknut, Flange 1/4-20	1	9J-30000 to _____
23	3728	Screw Hex Cap 1/4-20x1/2"	1	9S-27008 to _____
24	2339	Screw, Hex Hd #10-24x3/4"	2	9H-21020 to _____
25	6716	Washer, #10 Plain	2	5FD-30005 to _____
26	5760	Spacer, .250x.192x.25" long	2	4DD-30000 to _____
27	7624	Locknut, Nylok #10-24	2	4SD-30000 to _____
				4HD-30000 to _____
				4UD-30000 to _____
				4XD-30000 to _____
				5EE-11000-E0 to _____
				5ED-11000-E0 to _____

* Not Pictured in Illustration

** If Pot Box is located in the rear refer to page 3-1, 3-2 for accelerator rod.

GOVERNOR, ACCELERATOR

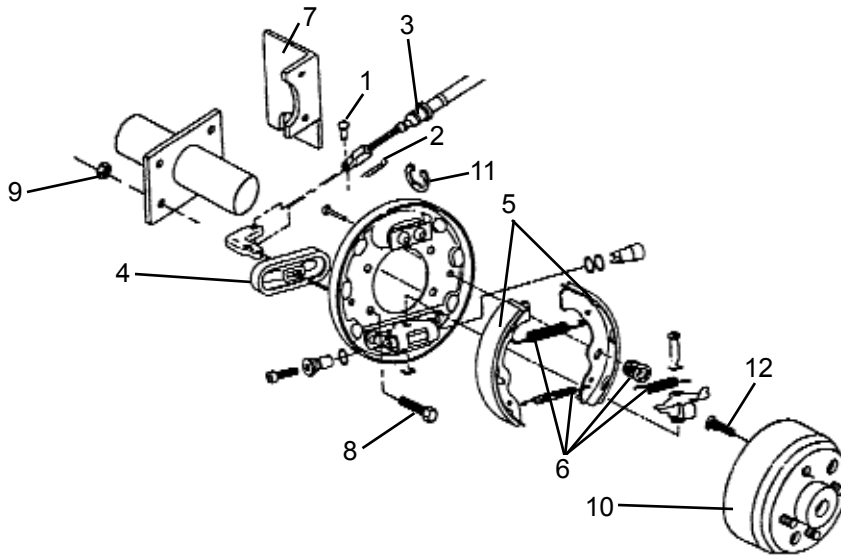


GOVERNOR, ACCELERATOR

ITEM NO.	PART NO.	DESCRIPTION	QTY.	Beginning V.I.N. to Ending V.I.N.
1	74510-96	Voltage Regulator	1	8E-25100-D6 to _____
2	71028-96	Panel Electrical (P4G, G4S)	1	8C-25001-D6 to 8C-25080
	71029-96	Panel Electrical (All Other Vehicles)	1	
3	74592-68	Circuit Breaker	1	8U-30000 to _____
4	2665	Screw,Phillips 10-24x5/8"	2	8D-25055 to _____
5	7624	Nut Nylok #10-24	2	8S-25057 to _____
6	2872-W	Bolt, Hex 1/4-20x 1 1/2"	1	8F-25071 to _____
7	7742	Locknut, 3-Way Crown 1/4-20	4	8X-30000 to _____
8	2685-W	Screw, Hex 1/4-20x1 1/2"	1	8Z-00008 to _____
9	6703-B	Washer, Plain Blk	1	9F-25200 to _____
10	40484-96	Bell Crank (Accelerator)	1	9U-30000 to _____
11	2551-W	Bolt, Hex 1/4-20x1"	1	9X-30000 to _____
12	388	Pin, Spring	1	9J-25101 to _____
13	502	Pin, Clevis	1	9D-30000 to _____
14	42456-86	Clevis	1	9S-27001 to _____
15	6242-W	Washer	2	9H-21003 to _____
16	515	Pin, Cotter 1/4x3/4	1	9N-25002 to _____
17	2509	Screw, 1/4-20x1"	2	
18	33617-96	Standoff, Bell Crank	1	
20	71470-87	Solenoid 12 Volt	1	
21	3728	Bolt, Hex 1/4-20x1/2"	2	
22	71506-96	Microswitch	1	
23	71031-96	Bracket, Microswitch	1	
24	2505	Screw, #4-40x5/8"	2	
25	7500	Nut, Nylok #4-40	2	
26	50312-83	Washer, #4 SAE	2	
28	26825-96	Cable, Accelerator P4G, G4S (Short 54")	1	
	26827-96	Cable, Accelerator GU4, GD4, GU4XB, C6G, FG (Long 84")	1	
29	7688-B	Nut, Hex 1/4-20	2	
30	5210	Thumb Screw	1	
31	26841-96	Spring, Governor Return	1	
	26844-98	Spring, Governor Return (13HP)	1	
32	26833-96	Bracket, Accelerator Cable	1	
33	26824-96	Arm, Governor	1	
	26826-97	Arm, Governor (13HP Std. Axle)	1	
	26842-98	Arm, Governor (Axle w/Hydraulic Drum Brakes)	1	
34	40572-96	Bracket, Throttle Cable	1	
	40573-97	Bracket, Throttle Cable (13HP Std. Axle)	1	
	40574-98	Bracket, Throttle Cable (Axle w/Hydraulic Drum Brakes)	1	
35	71513-87	Spring, Return	1	
36	7503	Nut, Hex Flange	1	
37	40549-96	Throttle Cable	1	
38	40570-96	Bracket, Throttle Cable - Carburetor	1	
	59602-97	Bracket, Throttle Cable - Carburetor (13HP)	1	
39	7041-B	Lockwasher, 5/16	1	
40	26843-96	Swivel, Throttle Lever	1	
41	10503	Bushing, Plastic	1	
42	5760	Spacer	1	

* Not Pictured in Illustration

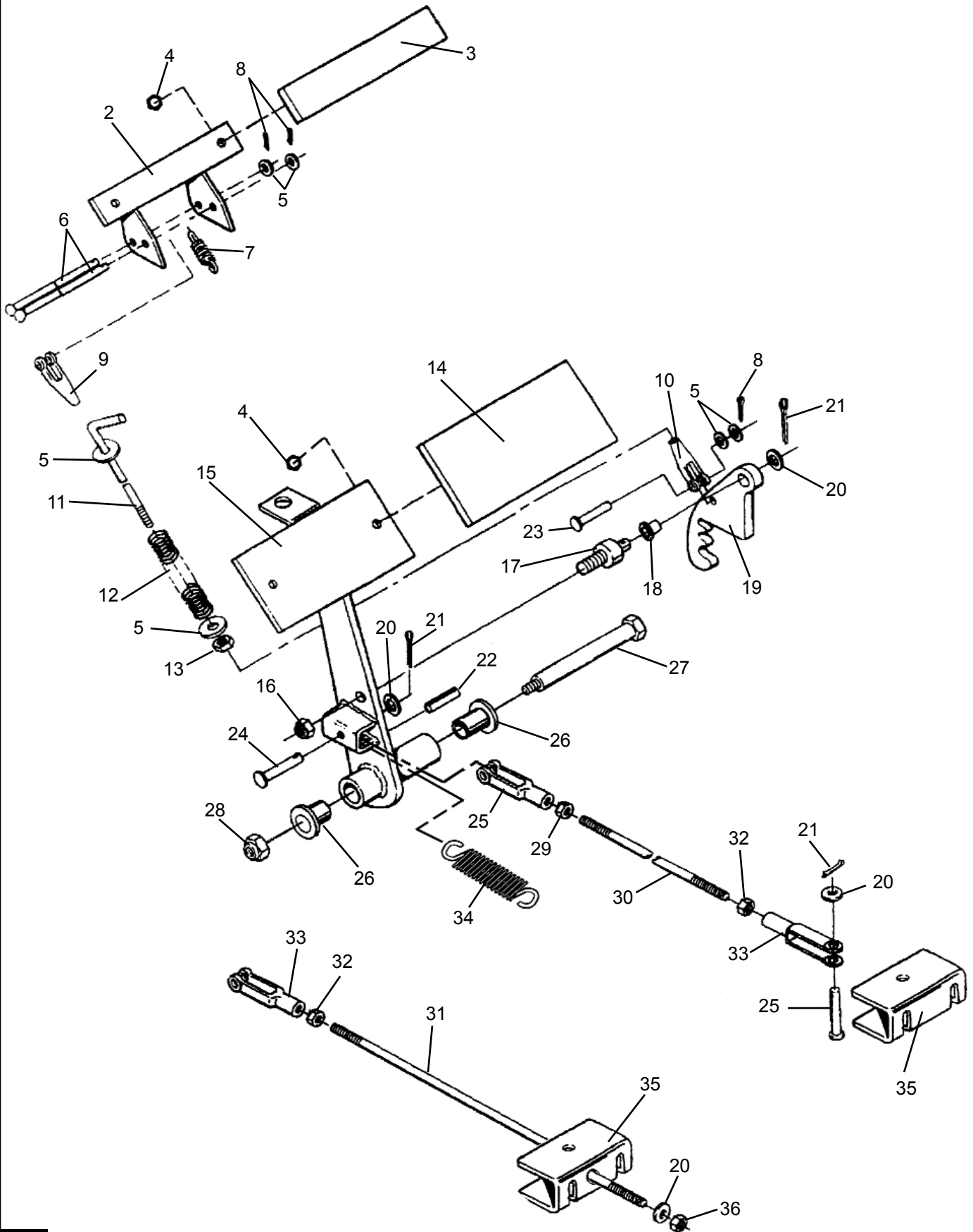
BRAKE ASSEMBLY - MECHANICAL



ITEM NO.	PART NO.	DESCRIPTION	QTY.	Beginning V.I.N. to Ending V.I.N.
1	497	Pin, 5/16 x 7/8", Clevis	2	8E-25100-D6 to _____
2	520-W	Pin, 1/8 x 1", Cotter	2	8E-28599-D8 to _____
3	42395-92B (Long 55 1/2")	Assy., Brake Cable (Right Cable for P4G, G4S, FG, FG13hp, C6G, C6G13hp, EU4DB, GU1000XB, GU1000XB13hp, 911G, 911E, C10G, GU2400XB, EU4DB (Left Cable for EU4, GU4, GU413hp, GU4-Lift Kit)	1	4E-25001-D6 to 4E-28133-D8 5E-27001-D7 to _____ 3E-21842-D8 to _____ 8C-25001-D6 to 8C-25080 4C-25001-D6 to 4C-25037 5C-25001 to 5C-25016
	42400-89B (Medium 48")	Assy., Brake Cable (Right Cable for P4E, E4S, P4E-PM, FE, C6E, EU4, GU4-Lift Kit, C10E, EU2400)	1	8U-25001 to _____ 4U-25001 to _____ 8D-25001 to _____
	42401-89B (Short 39")	Assy., Brake Cable (Left Cable for P4G, P4E, P4E-PM, E4S, G4S, FG, FG13hp, C6E, FE, C6G, C6G13hp, GU1000XB, GU1000XB13hp, 911G, 911E, EU1000XB, C10E, C10G, GU2400XB) (Right Cable for GU4, GU413hp, GD4)	1	4D-25001 to _____ 4S-25001 to _____ 8S-25001 to _____ 4F-25100 to _____ 5F-25100 to _____ 8F-25001 to _____
4	41822-86B	Cover, Dust	2	8X-25001 to _____
5	41819-86B	Shoe, Brake Set	2	8Z-00001 to _____
6	41816-86B	Kit, Brake Spring	2	4X-25001 to _____
7	47757-88	Bracket, Brake Cable, L.H.	1	4Z-00001 to _____
*	47756-88	Bracket, Brake Cable, R.H.	1	3F-25100 to _____
8	4017	Screw, Hex Cap, 5/16-18 x 3/4"	8	3S-25001 to _____
9	7810	Nut, Hex Cap, Center Lock, 5/16-18	8	9F-25200 to _____
10	41844-96	Drum, Brake (Electric Vehicles)	2	9U-30000 to _____
	41816-96	Drum, Brake (Gas Vehicles)	2	9X-10027 to _____
*	41843-94	Drum with Studs (Gas Vehicles)	2	9D-25001 to _____
	41844-96	Drum with Studs (Electric Vehicles)	2	9S-10005 to _____
11	11035	E-Ring	4	
*	41813-86B	Assy., Brake, Left (incl. Items 4-6)	1	
*	41814-86B	Assy., Brake, Right (incl. Items 4-6)	1	
12	41199	Stud, Wheel	5	

* Not Pictured in Illustration

Brake Linkage - Mechanical

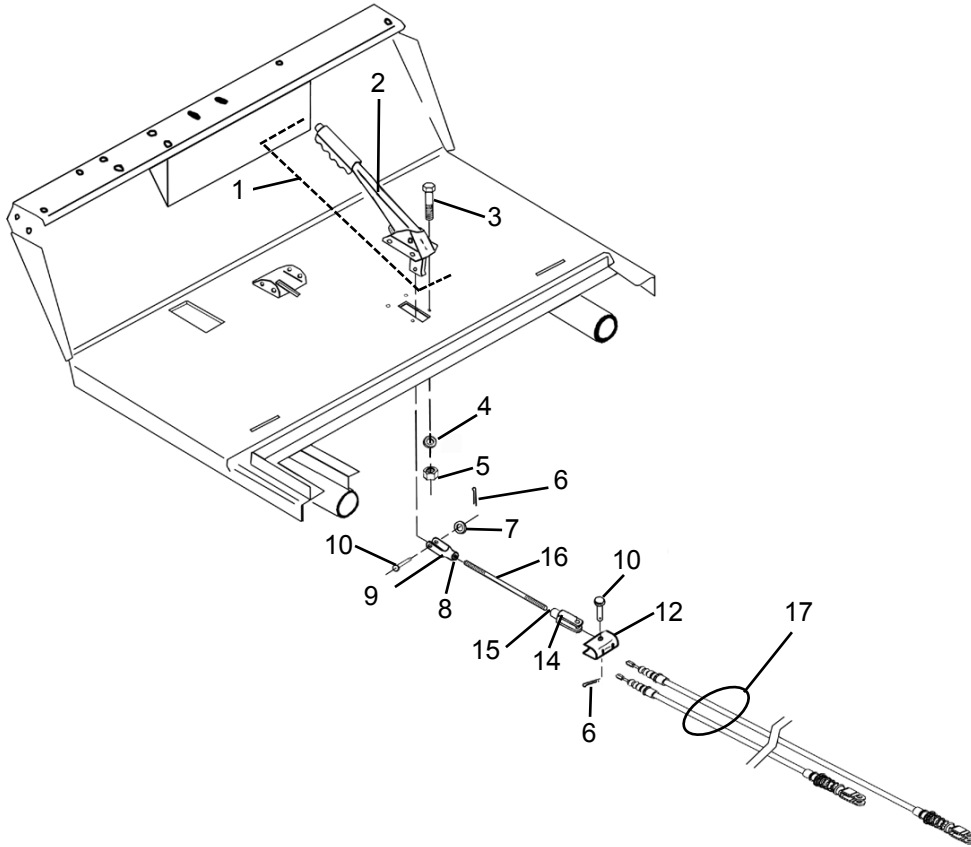


Brake Linkage - Mechanical

Brake Linkage - Mechanical				Beginning V.I.N. to Ending V.I.N.
ITEM NO.	PART NO.	DESCRIPTION	QTY.	
1	42409-89B	Pedal, Brake Assy. (Incl. Items 2 - 26)	1	8E-25100-D6 to 8E-28598-D8
*	42416-93	Pedal, Hydraulic Brake Assy.	1	8E-28599-D8 to _____
*	42450-91	Parking Brake Rod Assy. (Incl. Items 2-5, 8-13, 18-19, 23)	1	4E-25001-D6 to 4E-28133-D8
2	42461-92	Pedal, Parking Brake	1	5E-27001-D7 to _____
3	42408-00	Pad, Parking Brake	1	3E-21842-D8 to _____
4	8128	Speednut	4	8C-25001-D6 to 8C-25080
5	6716	Washer, Plain Type A	10	4C-25001-D6 to 4C-25037
6	498	Pin, Clevis 3/16 x 3"	2	5C-25001 to 5C-25016
7	42452-86	Spring, Parking Brake Return	1	8U-25001 to _____
8	515	Pin, Cotter 1/16x3/4"	3	4U-25001 to _____
9	42456-91	Clevis, Parking Brake, w/o Threads	1	8D-25001 to _____
10	42456-86	Clevis, Parking Brake	1	4D-25001 to _____
11	42455-91	Rod, Parking Brake	1	4S-25001 to _____
12	42457-91	Spring, Parking Brake Rod	1	8S-25001 to _____
13	7638	Nut, Hex Cap, #10-32	1	4F-25100 to _____
14	42407-00	Pad, Brake Pedal	1	5F-25100 to _____
15	42410-92	Pedal, Brake	1	8F-25001 to _____
16	7776-W	Locknut, Hex Nylok, 3/8-24	1	8X-25001 to _____
17	4457	Bolt, Shoulder Brake	1	8Z-00001 to _____
18	10500	Bushing, Plastic	1	4X-25001 to _____
19	42451-86	Ratchet, Brake	1	4Z-00001 to _____
20	6703-B	Washer, Black Plain 1/4	2	3F-25100 to _____
21	533	Pin, Cotter 5/64x1"	3	3S-25100 to _____
22	611	Pin, Roll, 1/4x1"	1	9F-25200 to _____
23	502	Pin, Clevis 3/4"	1	9U-30000 to _____
24	499	Pin, Clevis 1/4x1 1/2"	2	9X-10027 to _____
25	73062-86A	Yoke, Clevis RH 1/4-28	1	9D-25001 to _____
26	26251-30A	Bushing, Brake Tube	2	9S-10005 to _____
27	4455	Bolt, Shoulder 4"	1	5EE-25100 to _____
28	7725	Locknut, Hex Nylok 5/16-24	1	5ED-25001 to _____
29	7676	Nut, Hex Cap 1/4-28	1	5FD-30000 to _____
30	42406-89	Rod, Brake 8 1/2" (P4G, P4E.P4E+, G4S, E4S, E4S+)	1	3FD-10027 to _____
*	42427-00	Rod, Brake 19 3/4" (EU4, GU4, ED4, GD4)	1	4DD-25001 to _____
*	41519-00	Rod, Brake 36 3/4" (C6E, C6G, FE, FG, GUXB, EUXB, 911E, 911G)	1	4SD-10005 to _____
31	42406-00	Rod, Brake 11" (P4G, P4E.P4E+),	1	4XD-30000 to _____
32	7677	Nut, Hex Jam LH 1/4-28	1	
33	73061-86A	Yoke, Clevis LH 1/4-28	1	
34	40509-67	Spring, Brake Return	1	
35	42402-89	Equalizer, Brake	1	
36	7683	Nut, Nylok 1/4-28	1	
*	9853	Fitting, Lubrication (Hyd Brakes)	1	
*	11403	Rubber Bumper, Brake Pedal	1	

* Not Pictured in Illustration

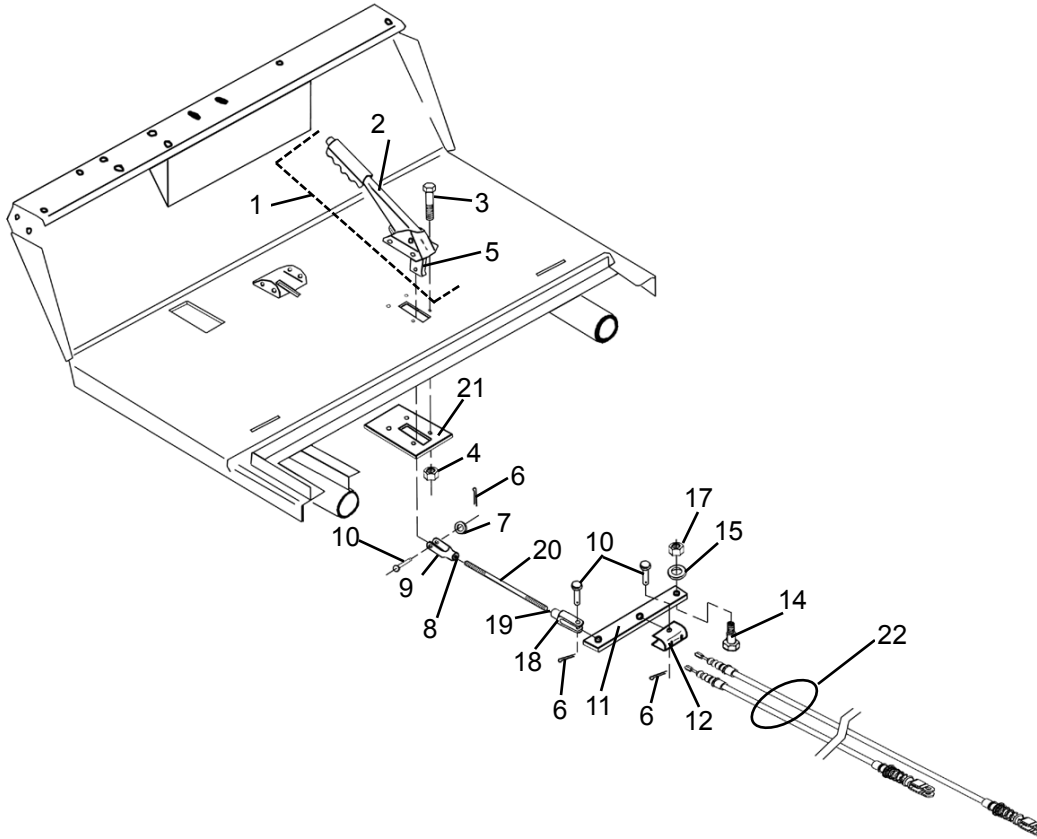
PARKING BRAKE, HAND (1996 - Early 1998)



ITEM NO.	PART NO.	DESCRIPTION	QTY.	Beginning V.I.N. to Ending V.I.N.
1	41422-93	Hand Brake Lever Mod (1993 - May 1998)	1	4N-25001 to 4N-25059 4J-27001 to 4J-27001 4H-25100 to 4H-25114 Optional on other non-hydraulic brake vehicles.
2	41420-98	Lever, Hand Brake	1	
3	2667	Screw, Hex Cap 5/16-18x2"	2	
4	7041-B	Lockwasher 5/16	2	
5	7748	Nut, Hex 5/16-18 UNC-2B	2	
6	534	Pin, Cotter 3/32x1"	1	
7	6703-B	Washer, Plain	4	
8	7676	Nut, 1/4-28	1	
9	73062-86A	Clevis, Yoke RH 1/4-28	1	
10	499	Clevis, Pin 1/4x1 1/2"	2	
11	42654-89	Arm Pull-Parking Brake	1	
12	42422-94	Equalizer, Brake	1	
13	11035	Ring, Retainer (Brake Cables to Frame)	2	
14	73061-86A	Clevis, Yoke LH 1/4-28	1	
15	7677	Nut, LH 1/4-28	1	
16	41506-91	Rod, Brake (C6, FE, FG, GUXB, EUXB, 911)	1	
	42406-00	Rod, Brake 8.5" (P4,G4,E4, EU4, GU4, ED4, GD4)(Optional Hyd Brakes)	1	
17	See Page 4-1	Assy., Brake Cable	2	
*	6000-B	Washer	2	

* Not Pictured in Illustration

PARKING BRAKE, HAND (1998 - 2000)



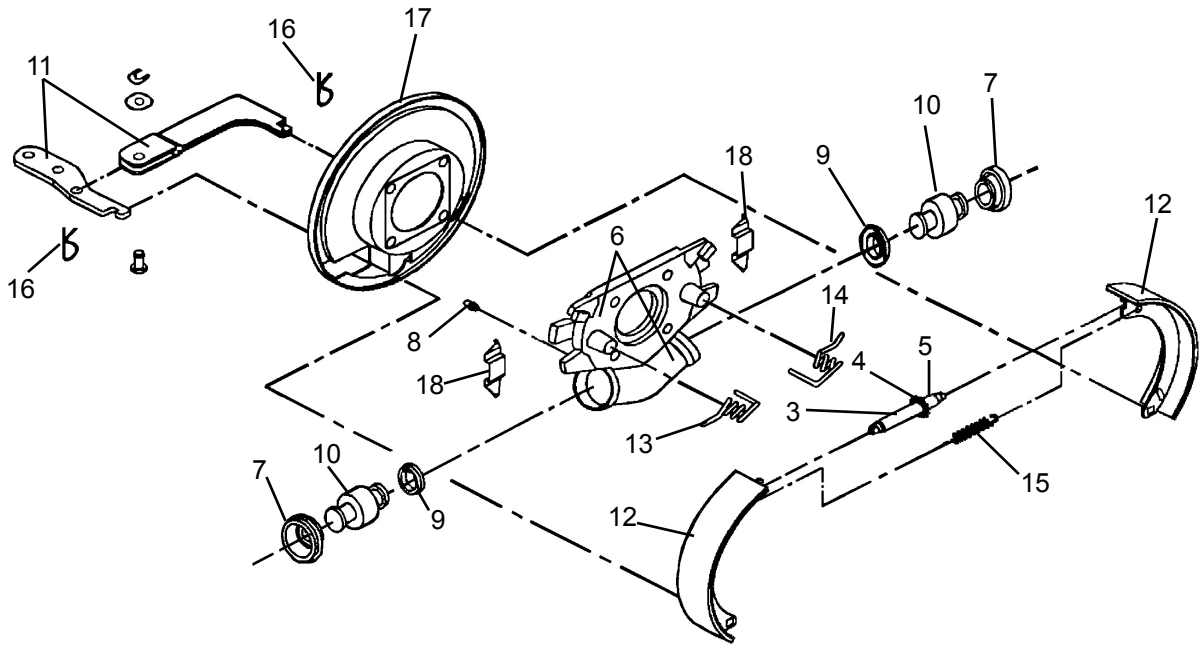
ITEM NO.	PART NO.	DESCRIPTION	QTY.	Beginning V.I.N. to Ending V.I.N.
*	41723-98	Parking, Hand Brake Kit (May 1998 & Later)	1	
1	41422-98	Parking, Hand Brake (Incl Items 3 and 6)	1	9J-25101 to _____
2	41420-98	Lever, Hand Brake	1	9H-21001 to _____
3	5400-BS	Bolt, Carriage 5/16-18x1"	1	9N-25001 to _____
4	7525	Locknut, Flange 5/16-18	1	4N-25060 to _____
5	52336-98	Lever, Extended Parking Brake	1	4J-27002 to _____
6	533	Pin, Cotter 5/64x1"	3	4H-25115 to _____
7	6703-B	Washer, Plain	3	
8	7676	Nut, 1/4-28	1	
9	73062-86A	Clevis, Yoke RH 1/4-28	1	
10	499	Clevis, Pin 1/4x1 1/2"	3	
11	42454-98	Arm Pull-Parking Brake	1	
12	42402-89	Equalizer, Brake	1	
13	11040	Ring, Retainer (Brake Cables to Frame)	2	
14	7512	Locknut, Flange 3/8-16	1	
15	6568-B	Washer	1	
16	6005	Washer	1	
17	2645	Screw, Shoulder 1/1x1/2"	1	
18	73061-86A	Clevis, Yoke LH 1/4-28	1	
19	7677	Nut, LH 1/4-28	1	
20	41519-00	Rod, Brake (C6, FE, FG, GUXB, EUXB, 911)	1	
	42406-00	Rod, Brake (P4,G4,E4, EU4, GU4, ED4, GD4)(Optional Hyd Brakes)	1	
21	42671-98	Plate, Support (Hand Lever)	1	
22	See Page 4-1	Assy., Brake Cable	2	

Beginning V.I.N. to Ending V.I.N.

Optional on other non-hydraulic brake vehicles.

* Not Pictured in Illustration

HYDRAULIC DRUM BRAKE



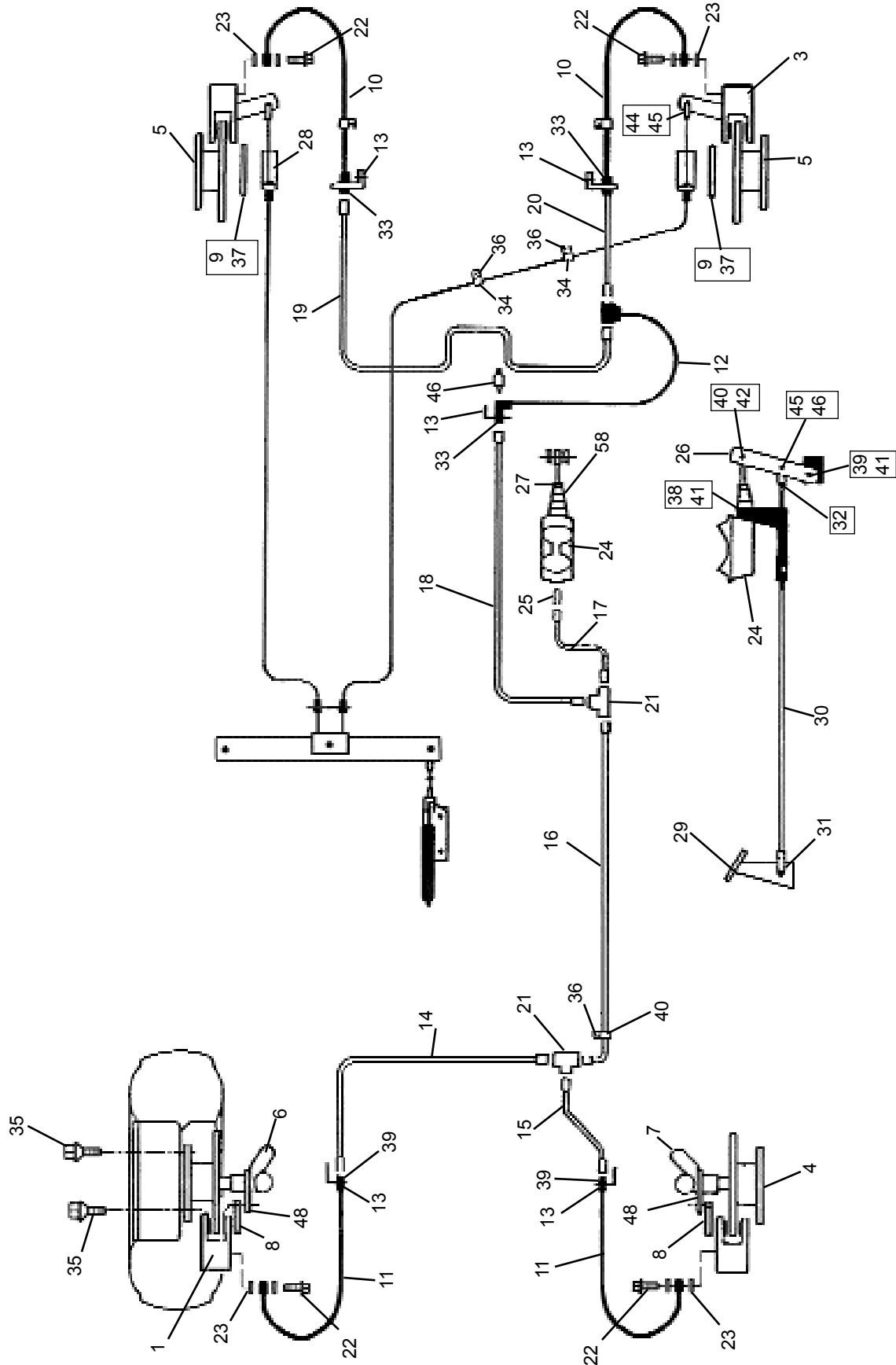
1 & 2

ITEM NO.	PART NO.	DESCRIPTION	QTY.	Beginning V.I.N. to Ending V.I.N.
1 **	41813-93	Assembly, Brake LH Compl. (Incl. Items 3 - 18)	1	
2 **	41814-93	Assembly, Brake RH Compl. (Incl. Items 3 -18)	1	9J-25101 to _____
3	41878-93	Adjusting Screw	1	9H-21003 to _____
4	41880-93	Nut, Pivot (Adj, Screw)	1	9N-25002 to _____
5	41882-93	Socket, Adj. Screw	1	
6 **	41884-93	Spider, Torque	1	4J-30000 to _____
7	41886-93	Boot & Ring (Wheel Cylinder)	2	4H-25116 to _____
8	41888-93	Screw, Bleeder	1	4N-25060 to _____
9	41890-93	Cup, Hydraulic	2	
10	41892-93	Piston, Wheel Cylinder	2	
11	41894-93	Strut & Lever, Assembly (Parking Brake)	1	4HD-30000 to _____
12	41912-93	Set, Shoe & Lining Assembly	1	
13	41914-93	Spring, Shoe Return LH (Green)	1	
14	41916-93	Spring, Shoe Return RH (Red)	1	
15	41918-93	Spring, Adj. Screw	1	
16	41920-93	Pin, Retainer (Parking Brake Lever)	2	
17 **	41926-93	Shield, Dust	1	
18	41928-93	Spring, Shoe Hold Down	2	

* Not Pictured in Illustration

** When Repairing Items 1, 2, 6 OR 17 Rear Axle Disassembly and Repair Parts Will be Required.

HYDRAULIC DISC BRAKES, G4S, UTILITRUCKS, SHUTTLE, TRAM



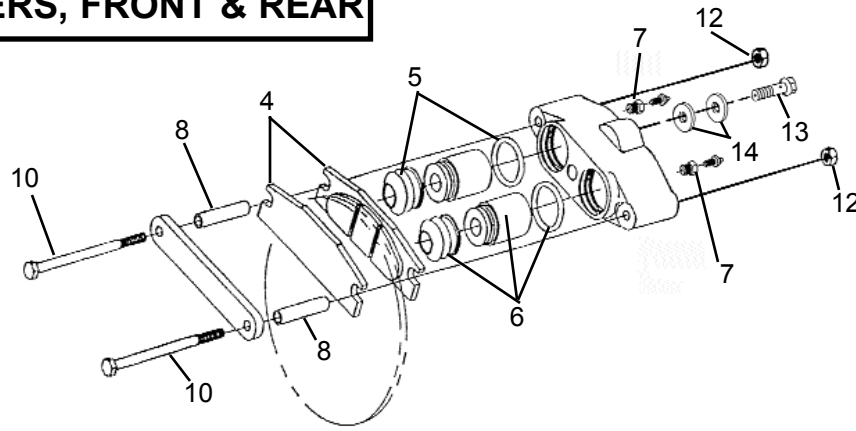
HYDRAULIC DISC BRAKES, G4S, UTILITY VEHICLES

ITEM NO.	PART NO.	DESCRIPTION	QTY.		Beginning V.I.N. to Ending V.I.N.	
			4-Wh'l.	2 Wh'l.		
					8E-25100-D6 to _____	
					8C-25001-D6 to _____	8C-25080
					8U-25001 to _____	
					8D-25001 to _____	
					8S-25001 to _____	
					8F-25001 to _____	
					8X-25001 to _____	
					9N-25001 to _____	
					9U-30000 to _____	
					9X-10024 to _____	
					9D-25001 to _____	
					9S-10003 to _____	
					4U-25001 to _____	
					4X-25001 to _____	
					4D-25001 to _____	
					4S-25001 to _____	
					3S-25100 to _____	
					4SD-10005 to _____	
					4DD-25001 to _____	
1	41724-96	Caliper, Front Brake (With Pads)	2			
2	41725-96	Caliper, Right Rear Brake (With Pads)	1	1		
3	41726-96	Caliper, Left Rear Brake (With Pads)	1	1		
4	41857-94	Disc and Hub, Front Brake	2			
*	9030	Bearing, Ball - .78 ID	2			
*	9031	Bearing, Ball - .98 ID	2			
*	12030	Seal, Oil		2		
5	41831-96	Disc and Hub, Rear (Gas)	2	2		
	41831-94	Disc and Hub, Rear (Electric)	2	2		
6	57338-94	Arm Assy., Steering RH (W/Bushing & Lube Fitting)	1			
7	57339-94	Arm Assy., Steering LH (W/Bushing & Lube Fitting)	1			
	43938-86	Bushing - .62 ID	2			
	9853	Fitting, Lubrication	1			
8	47838-94	Bracket Assembly, Mtg., Front Caliper	2			
*	43903-94	Bearing, Self-Lube Caliper Mounting	2			
*	47798-94	Bracket, Mounting	2			
9	47839-94	Bracket Assy., Mounting, Rear Caliper	2	2		
*	43903-94	Bearing, Self-Lube Caliper Mounting	2			
*	47799-94	Bracket, Mounting	2			
10	41836-96	Hose, Brake - 12 1/2" Long (Rear)	2	2		
11	41837-96	Hose, Brake - 19 1/2" Long (Front)	2			
12	41824-93	Hose, Brake - Frame to Fork	1	1		
*	41844-94	Hose, Mod., Brake-W/ Brake Switch Port	1			
13	84300-93	Bracket, Hydraulic Hose	2	2		
14	41846-94	Brake Line, Right Front	1			
15	41847-94	Brake Line, Left Front	1			
16	41848-94	Brake Line, Left Side	1			
17	41849-94	Brake Line, Master Cylinder	1			
18	41850-94	Brake Line, Center	1	1		
19	41851-94	Brake Line, Across Fork	1	1		
20	41852-94	Brake Line, Left Fork	1	1		
21	41842-94	Tee, Union - 3/16 Tube	2			
22	41870-96	Banjo Bolt	4	2		
23	41742-96	Copper Washer	8	4		
24	41853-94	Cylinder, Master Brake 1" Bore	1			
*	41858-95	Cylinder, Master Brake 3/4" Bore		1		
*	41859-00	Cylinder, Master Brake 1 1/8" Bore	1			
25	41827-93	Adapter, Fitting	1	1		
26	42415-94	Lever, Hydraulic Brake	2	2		
27	57015-94	Rod End	1	1		
28	47766-94	Bracket, Brake Cable	2	2		
29	42416-93	Pedal, Brake Hyd. Assy.	1	1		
30	41856-94	Rod, Brake - 23" Long	1			
31	73062-86A	Yoke, Clevis 1/4-28 RH	2	2		
32	73061-86A	Yoke, Clevis 1/4-28 LH	2	2		
33	11040	Ring, Retaining .430 Dia.	5	3		
34	10047	Clip, Cable	5	4		
35	41200-94	Bolt, Wheel	16	8		
36	3748-BS	Screw, 1/4-20x7/16 Thread Forming	5	4		
37	3987-BS	Screw, Hex HD 5/16-18x3/4"	5	5		
38	4716-W	Screw, Hex HD 3/8-16x1 1/4"	3	3		
39	3771	Screw, Hex HD 7/16-14x1 3/4 HHC	1	1		
40	3769	Screw, Hex HD 7/16-14x1 1/2" - Grade 5	1	1		
41	7778	Nut, Hex Nylok 3/8-16	4	4		
42	7827-W	Nut, Hex Nylok 7/16-14	1	1		
43	7831	Nut, Jam 7/16-20	1	1		
44	497	Pin, Clevis 5/16x7/8"	2	2		
45	520-W	Pin, Cotter 1/8x1"	2	2		
46	41825-93	Switch, Brake Light (Optional)	1	1		

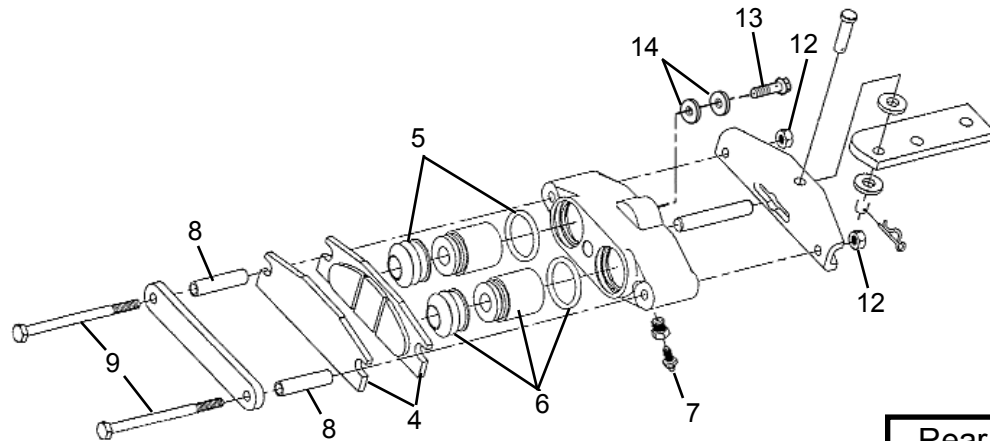
* Not Pictured in Illustration

BRAKE CALIPERS, FRONT & REAR

Front Caliper



1

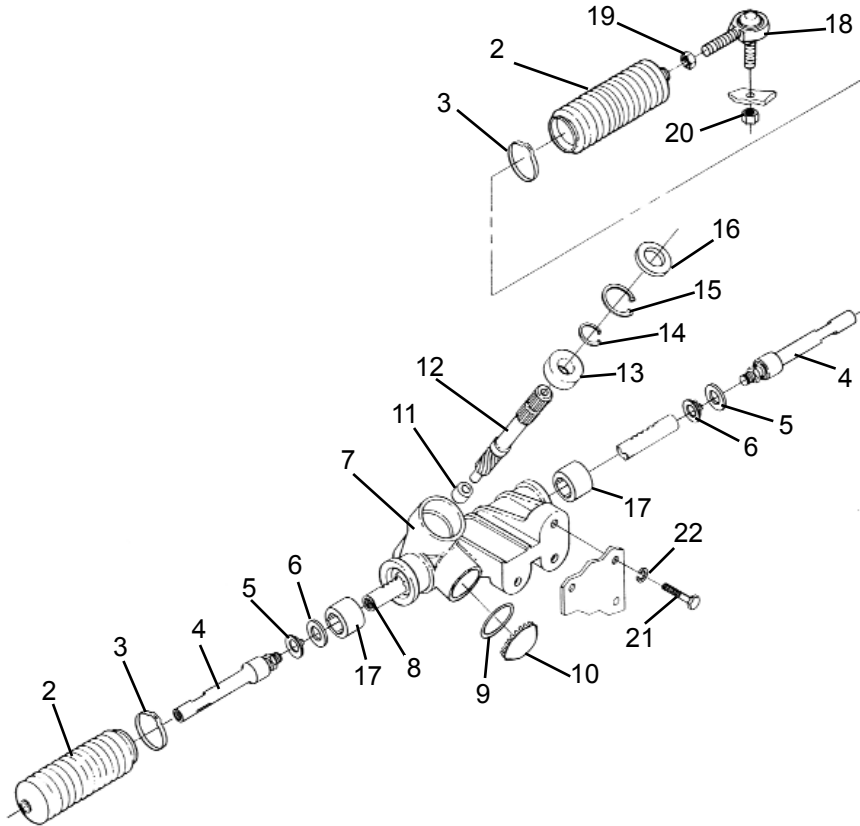


2 - 3

Rear Caliper

ITEM NO.	PART NO.	DESCRIPTION	QTY.	Beginning V.I.N. to Ending V.I.N.	
			4 Wh'l	2 Wh'l	8E-25100-D6 to _____
1	41724-96	Caliper, Front Complete	2	-	8C-25001-D6 to 8C-25080
2	41725-96	Caliper, Rear RH	1	1	8U-25001 to _____
3	41726-96	Caliper, Rear LH	1	1	8D-25001 to _____
4	41727-94	Kit, Service Stator W/Pads	4	-	8S-25001 to _____
5	41728-94	Kit, Service Seals	4	-	8F-25001 to _____
6	41729-94	Kit, Service Piston & Seals	4	-	8X-25001 to _____
7	41730-94	Kit, Service Fitting Group	4	-	9N-25001 to _____
8	43903-94	Spacer, Caliper	8	4	9U-30000 to _____
9		Bolt, Rear Caliper Mounting (1/4-20x3 1/2")	4	4	9X-10024 to _____
10		Bolt, Front Caliper Mounting (1/4-20x3")	4	-	9D-25001 to _____
11		Locknut, 1/4-20	8	4	9S-10003 to _____
12	41870-96	Bolt, Banjo	4	2	4U-25001 to _____
13	41742-96	Washer, Copper	8	4	4X-25001 to _____
*	47838-94	Brackey Assy., Front Caliper Mnt	2	-	4D-25001 to _____
*	47839-94	Bracket Assy., Rear Caliper Mnt	2	2	4S-25001 to _____
*	43903-94	Bearing, Self Lube	8	4	3S-25100 to _____
					4SD-10005 to _____
					4DD-25001 to _____

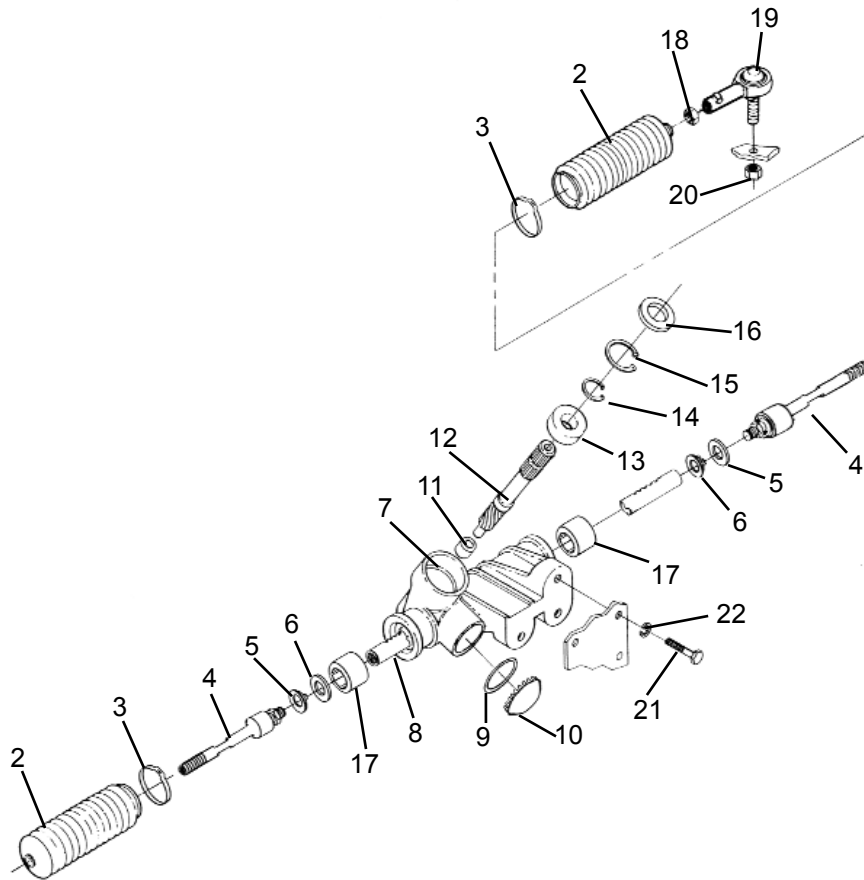
STEERING GEAR ASSEMBLY - ALL VEHICLES (1996 - Early 2000)



ITEM NO.	PART NO.	DESCRIPTION	QTY.	Beginning V.I.N. to Ending V.I.N.
1	93249	Kit, Rack & Pinion Replacement (Incl. Items 2 - 19)	1	8E-25100-D6 to 8E-30280-E0 4E-25001-D6 to 4E-28133
2	57168-92	Boot, Steering	2	5E-27001-D7 to 5E-30158-E0
3	10101	Clamp, Steering Boot	2	8C-25001-D6 to 8C-25080
4	57172-92A	Tie Rod & Ball Joint	2	4C-25001-D6 to 4C-25037
5	57190-88	Washer, Lock Steering	2	5C-25001 to 5C-25016
6	57166-88	Washer, Steering	2	8U-25001 to 8U-30004
7	93244	Housing, Steering Gear (Incl. Items 5, 9, 10, 11, 16, 17 and Screw Clamp - PN# 9955)	1	4U-25001 to 4U-30013 8D-25001 to 8D-30018
8	57171-90	Gear, Steering Rack	1	4D-25001 to 4D-30002
9	11112	O'Ring	1	4S-25001 to 4S-30002
10	63912	Plug, Hole 1"	1	8S-25001 to 8S-30001
11	43900-88	Bushing, Pinion	1	4H-25100 to 4H-25131
12	57180-90	Gear, Pinion - Steering	1	4F-25100 to 4F25103
13	9001	Bearing, Ball	1	5F-25100 to 5F-25112
14	862	Ring, Retaining	1	8F-25001 to 8F-25084
15	861	Ring, Retaining	1	8X-25001 to 8X-30007
16	57183-88	Seal, Oil	1	4X-25001 to 4X-30006
17	43901-88	Bearing, Steering Rack	2	4J-27001 to 4J-30000
18	43958-88C	Tie Rod End, LH Thread	2	4N-25001 to 4N-30000
19	7830	Nut, Jam, LH 7/16-20	2	4Z-00001 to 4Z-00003
20	7825	Locknut, Hex Nylok, 7/16-20	1	8Z-00001 to 8Z-00007
21	4716-W	Screw, Hex Cap, 3/8-16 x 1 1/4	3	9H-21001 to 9H-21020
22	7038-B	Lockwasher, 3/8	3	9U-30000 to 9U-30000
*	57177-90	Gear Set, Rack & Pinion (Incl. Items 8, 12, and 16)	1	9J-25101 to 9J-30000 9N-25001 to 9N-25016
*	93250	Kit, Ball Joint Replacement (Incl. Items 2-6, 18 and 19)	1	9D-25001 to 9D-30006 9S-10001 to 9S-27007

* Not Pictured in Illustration

STEERING GEAR ASSEMBLY - ALL VEHICLES (Late 2000)

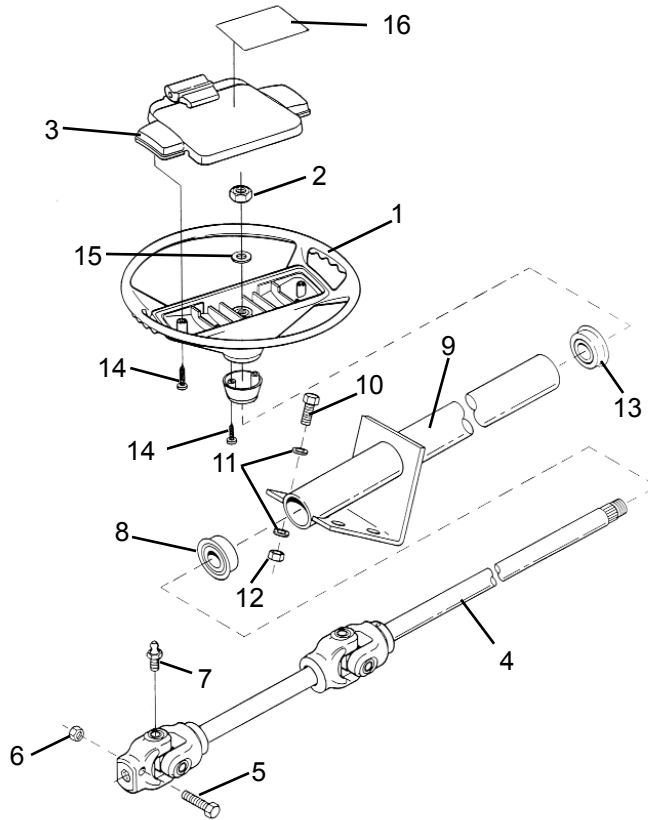


1

ITEM NO.	PART NO.	DESCRIPTION	QTY.	Beginning V.I.N. to Ending V.I.N.
1	93249	Kit, Rack & Pinion Replacement (Incl. Items 2 - 19)	1	8E-30281-E0 to _____ 5E-30159-E0 to _____ 3E-30079-E0 to _____
2	57168-00	Boot, Steering	2	8U-30005 to _____
3	10101	Clamp, Steering Boot	2	4U-30013 to _____
4	57172-00	Tie Rod, and Ball Joint	2	8D-30019 to _____
5	57190-88	Washer, Lock Steering	2	4D-30003 to _____
6	57166-88	Washer, Steering	2	4S-30003 to _____
7	93244	Housing Kit, Steering Gear (Incl. Items 5, 9, 10, 11, 16, 17 and Screw Clamp - PN# 9955)	1	8S-30002 to _____ 4H-25132 to _____ 4F-25104 to _____
8	57171-90	Rack, Steering Gear	1	5F-25113 to _____
9	11112	O'Ring	1	8F-25085 to _____
10	63912	Plug, Hole 1"	1	8X-30007 to _____
11	43900-88	Bushing, Pinion	1	4X-30006 to _____
12	57180-90	Gear, Pinion - Steering	1	4J-30001 to _____
13	9001	Bearing, Ball	1	4N-30001 to _____
14	862	Ring, Retaining	1	4Z-00004 to _____
15	861	Ring, Retaining	1	8Z-00008 to _____
16	57183-88	Seal, Oil	1	9H-21021 to _____
17	43901-88	Bearing, Steering Rack	2	9U-30001 to _____
18	7830	Nut, Jam, LH 7/16-20	2	9J-30001 to _____
19	43958-00	Tie Rod End, LH Thread	2	9N-30000 to _____
20	7825	Locknut, Hex Nylok, 7/16-20	1	9D-30007 to _____
21	4716-W	Screw, Hex Cap, 3/8-16 x 1 1/4	3	9S-27008 to _____
22	7038	Lockwasher, Split, 3/8	3	3U-30002 to _____
*	57177-90	Gear Set, Rack & Pinion (Incl. Items 8, 12 and 16)	1	4SD-30014 to _____ 5EE-25100 to _____ 5ED-25001 to _____
*	93250	Kit Ball Joint Replacement (Incl. Items 2-5, 18 and 19)	1	3ED-25200 to _____ 5FD-30000 to _____ 3FD-10027 to _____ 4DD-25001 to _____ 4SD-10005 to _____

* Not Pictured in Illustration

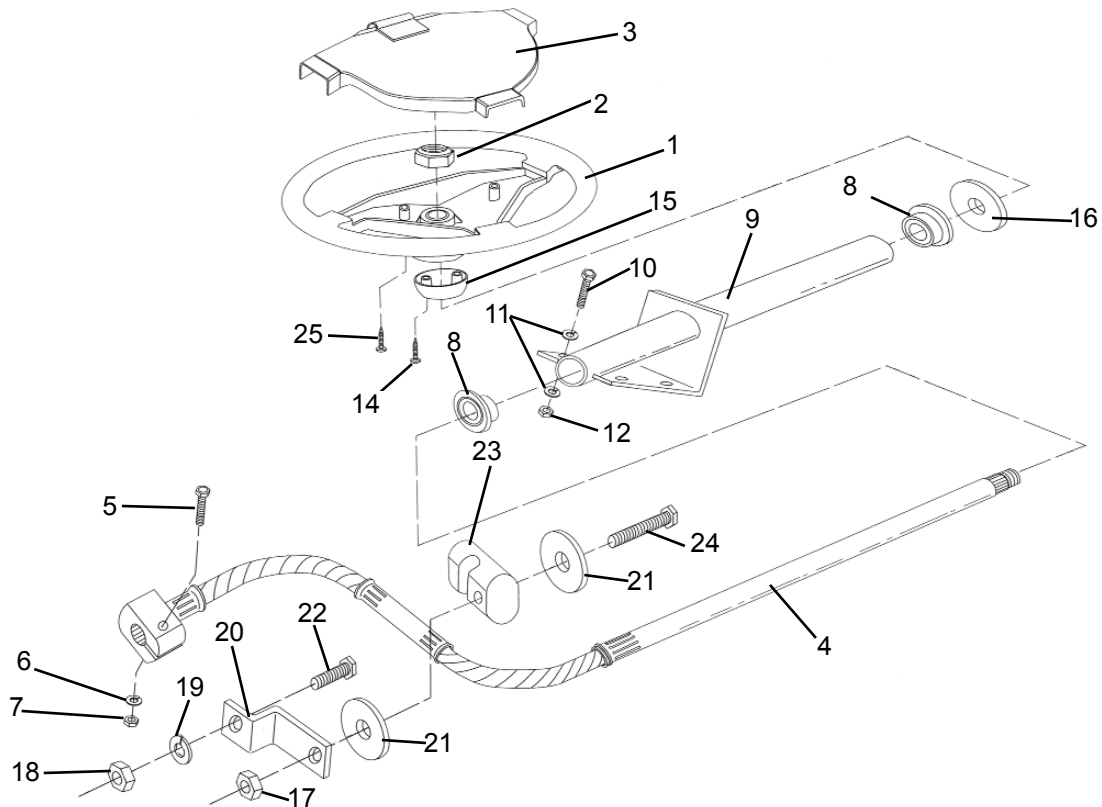
STEERING WHEEL AND COLUMN (1996 - Early 1999)



ITEM NO.	PART NO.	DESCRIPTION	QTY.	Beginning V.I.N. to Ending V.I.N.
1	57069-84	Wheel Steering	1	8E-25100-D6 to 8E-29443-D9
2	7995	Locknut, Hex Nylok 5/8-18	1	4E-25001-D6 to 4E-25133-D8
3	57098-84A	Holder, Scorecard	1	5E-27001-D7 to 5E-28931-D8
4	57095-96	Shaft, Steering	1	8C-25001-D6 to 8C-25029-D6
5	4036	Screw, Hex Cap 5/16-24 x 1 1/2"	1	4C-25001-D6 to 4C-25033-D6
6	7725	Locknut, Hex Nylok 5/16-24	1	5C-25001 to 5C-25016
7	9853	Fitting, Lubrication	2	8U-25001 to 8U-25086
8	9029	Bearing, Lower - Steering Column	1	4U-25001 to 4U-25164
9	57141-96	Steering Column	1	8D-25001 to 8D-25046
10	3987-BS	Screw, Hex Cap 5/16-18 x 3/4"	4	4D-25001 to 4D-25006
11	6702-B	Washer, Plain Blk Zinc 11/32	8	4S-25001 to 4S-25115
12	7740-B	Nut, 3-Way Centerlock 5/16-18	4	8S-25001 to 8S-25047
13	57067-87	Bearing, Upper, Steering Column	1	4H-25100 to 4H-25116
14	2638	Screw, Pan Head, #6 x 3/4 Self-Tapping	4	4F-25100 to 4F-25103
15	57098-84A	Cover, Hub - Steering	1	5F-25100 to 5F-25108
16	53276-86A	Decal, Operating (Gas)	1	8F-25001 to 8F-25070
	53277-86A	Decal, Operating (Gas)	1	8X-25001 to 8X-28038
*	57085-84B	Kit, Wheel Steering (Incl. items 1, 3, 14, 15)	1	4X-25001 to 4X-25048
				4J-27001 to 4J-27003
				4N-25001 to 4N-25064
				4Z-00001 to 4Z-00003

* Not Pictured in Illustration

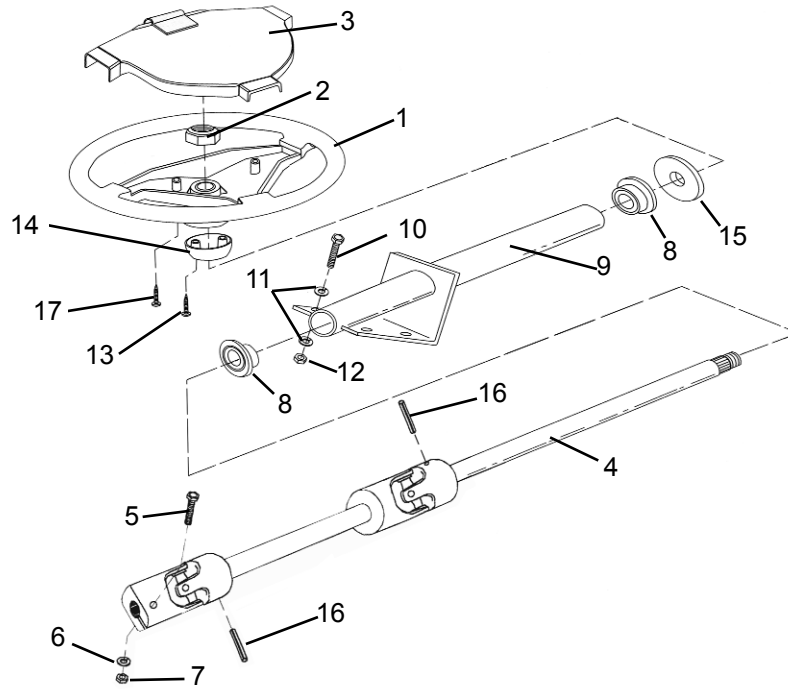
FLEX SHAFT STEERING SYSTEM (Late 1999 - Early 2000)



ITEM NO.	PART NO.	DESCRIPTION	QTY.	Beginning V.I.N. to Ending V.I.N.
1	57069-84	Wheel Steering	1	8E-29055-D9 to 8E-30506-E0
2	7995	Locknut, Hex Nylok 5/8-18	1	5E-28650-D9 to 5E-30245-E0
3	57089-99	Holder, Scorecard	1	3E-28657-D9 to 3E-30086-E0
4	57095-98	Shaft, Steering Flex W/Guide Block	1	8U-25087 to 8U-30007
5	2871-W	Screw, Hex Cap 5/16-18x1 1/4"	1	4U-25165 to 4U-30018
6	7041-B	Lockwasher 5/16	1	8D-25047 to 8D-30024
7	7748-B	Nut, Hex 5/16-18	1	4D-25007 to 4D-30003
8	9029	Bearing, Steering Column	2	4S-25116 to 4S-30002
9	57141-98	Assy., Steering Column	1	8S-25048 to 8S-30003
10	2987-BS	Screw, Hex Cap 5/16-18 x 3/4"	4	4H-25117 to 4H-25131
11	6702-B	Washer, Plain Blk Zinc 11/32	4	4F-25103 to 4F-25104
12	7525	Locknut, Hex Flange 5/16-18	4	5F-25109 to 5F-25112
14	2638	Screw, Pan Head, #6 x 3/4 Self-Tapping	2	8F-25071 to 8F-30001
15	57098-98	Cover, Steering Hub	1	8X-28039 to 8X-30010
16	6656	Washer 3/4	1	4X-25049 to 4X-30012
17	7687	Locknut, Hex Center Lock 1/2-13	1	4J-27004 to 4J-30001
18	7845	Nut, Hex 1/2-20	1	4N-25065 to 4N-30000
19	7068	Lockwasher, Split 1/2"	1	3S-25100 to 3S-25101
20	57323-99	Bracket Guide Mount	1	4Z-00003 to 4Z-30000
21	6005	Washer	2	8Z-00007 to 8Z-30000
22	4010	Bolt 1/2-20x1 1/4 (G5 HHCS)	1	4Z-00007 to 4Z-30000
23	48150-99	Guide, Flex Steering Shaft	1	9X-25103 to 9X-30001
24	3406	Screw, Hex Cap 1/2-13x3"	1	9N-25003 to 9N-30000
25	2641	Screw, Self Taping 10x1"	3	9D-27000 to 9D-30010
*	57061-99	Kit, Wheel Steering (Incl. items 1, 14, 15 and 25)	1	9S-27001 to 9S-30005
				9H-21003 to 9H-30002

* Not Pictured in Illustration

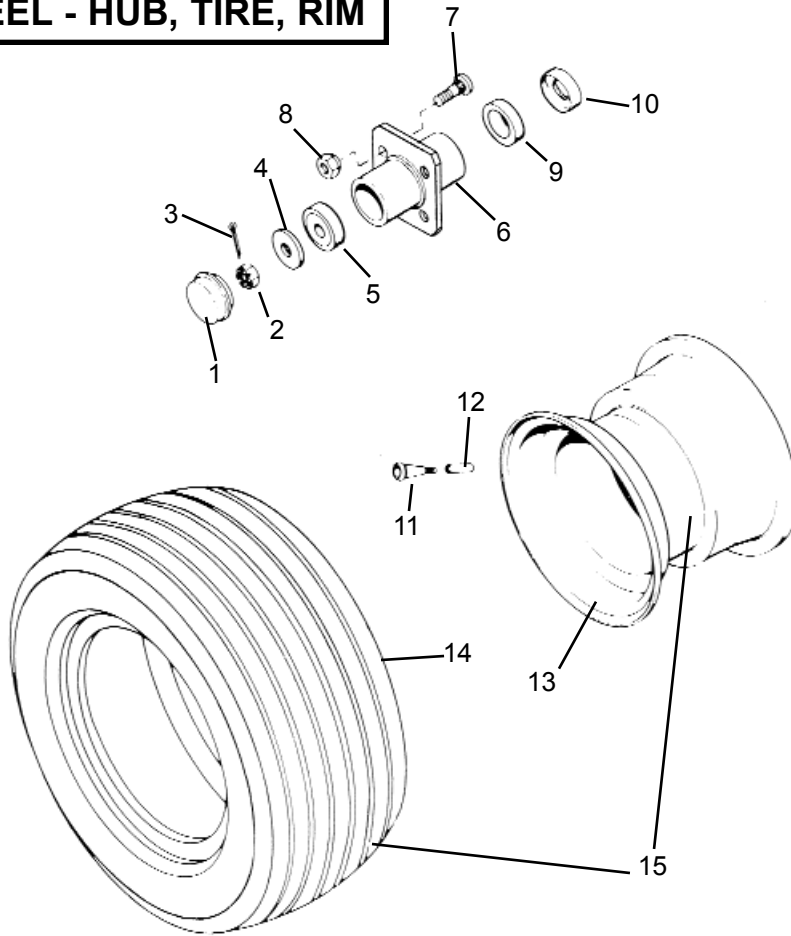
STEERING SHAFT, SOLID (Late 2000)



ITEM NO.	PART NO.	DESCRIPTION	QTY.	Beginning V.I.N. to Ending V.I.N.
1	57069-84	Wheel Steering	1	8E-30507-E0 to _____
2	7995	Locknut, Hex Nylok 5/8-18	1	5E-30246-E0 to _____
3	57089-99	Holder, Scorecard	1	3E-30086-E0 to _____
4	57095-00	Shaft, Steering	1	8U-30007 to _____
5	2871-W	Screw, Hex Cap 5/16-18x1 1/4"	1	4U-30018 to _____
6	7041-B	Lockwasher 5/16	1	8D-30025 to _____
7	7748-B	Nut, Hex Nylok 5/16-18	1	4D-30004 to _____
8	9029	Bearing, Steering Column	2	4S-30003 to _____
9	57141-98	Assy., Steering Column	1	8S-30004 to _____
10	3987-BS	Screw, Hex Cap 5/16-18 x 3/4"	4	4H-25132 to _____
11	6702-B	Washer, Plain Blk Zinc 11/32	4	4F-25104 to _____
12	7525	Locknut, Hex Flange 5/16-18	4	5F-25113 to _____
13	2638	Screw, Pan Head, #6 x 3/4 Self-Tapping	2	3F-25102 to _____
14	57098-98	Cover, Steering Hub	1	8F-30002 to _____
15	6656	Washer 3/4	1	8X-30011 to _____
16	388	Pin, Spring 1/4x1 1/2"	4	4X-30013 to _____
17	2641	Screw, Self-Tapping 10x1"	3	4J-30001 to _____
*	57061-99	Kit, Wheel Steering (Incl. items 1, 13, 14 and 17)	1	4N-30001 to _____
				3S-25101 to _____
				4Z-30000 to _____
				8Z-30000 to _____
				8U-30008 to _____
				9X-30002 to _____
				9N-30000 to _____
				9D-30011 to _____
				9F-25201 to _____
				9U-30002 to _____
				9J-30001 to _____
				9S-30005 to _____
				9H-30002 to _____
				5FD-30005 to _____
				4DD-30000 to _____
				4SD-30000 to _____
				4HD-30000 to _____
				3FD-30000 to _____
				3ED-30000 to _____
				4UD-30000 to _____
				4XD-30000 to _____
				5EE-11000-E0 to _____
				5ED-11000-E0 to _____

* Not Pictured in Illustration

WHEEL - HUB, TIRE, RIM



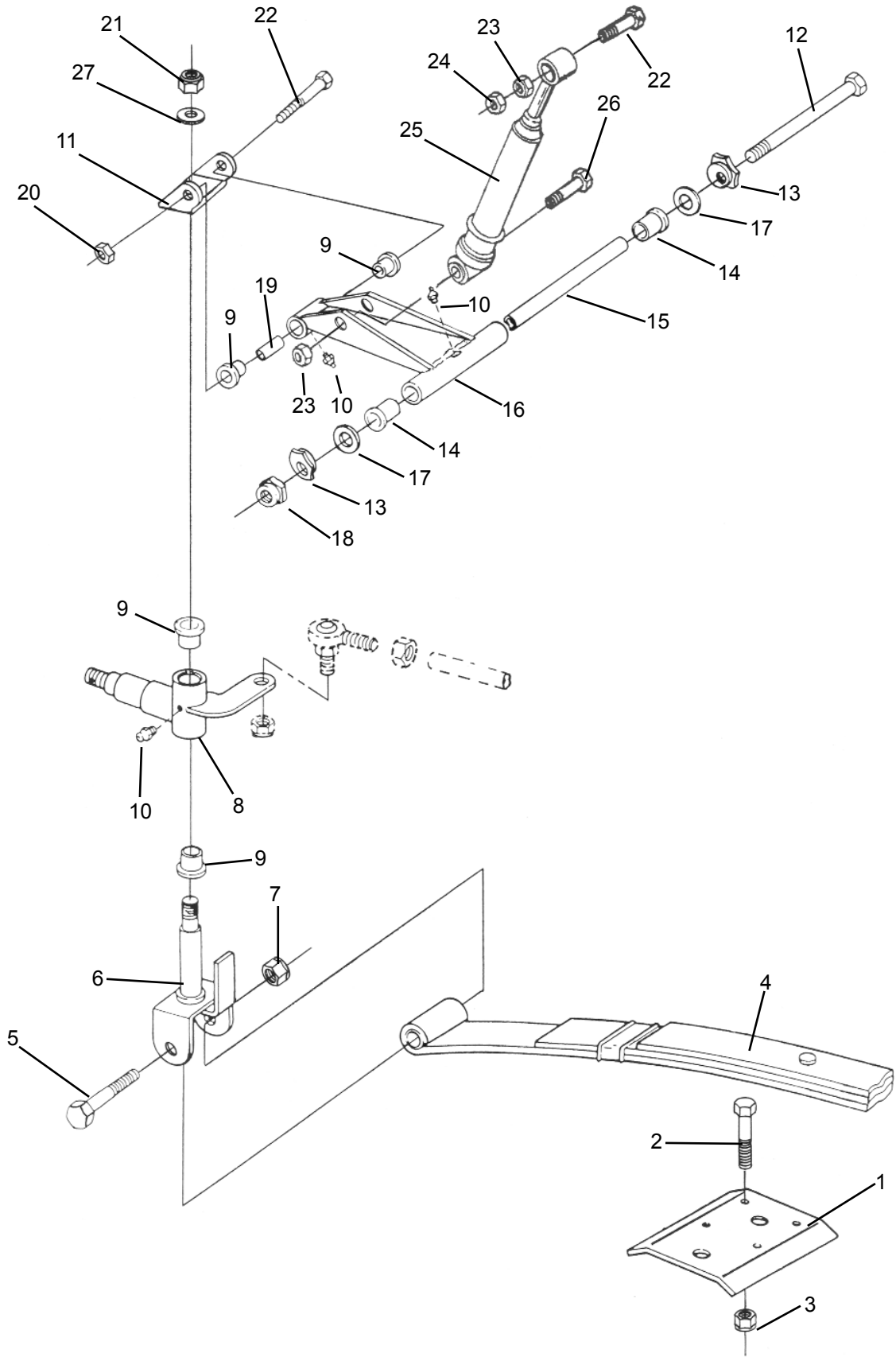
Beginning V.I.N. to Ending V.I.N.

8E-25100-D6	to	_____
4E-25001-D6	to	4E-28133
5E-27001-D7	to	_____
8C-25001-D6	to	8C-25080
4C-25001-D6	to	4C-25037
3E-21842-D8	to	_____
5C-25001	to	5C-25016
8U-25001	to	_____
4U-25001	to	_____
8D-2500	to	_____
4D-25001	to	_____
4S-25001	to	_____
8S-25001	to	_____
4H-25100	to	_____
4F-25100	to	_____
5F-25100	to	_____
8F-25001	to	_____
8X-25001	to	_____
4X-25001	to	_____
4J-27001	to	_____
4N-25001	to	_____
3F-25100	to	_____
3S-25100	to	_____
4Z-00001	to	_____
8Z-00001	to	_____
9N-25001	to	_____
9F-30000	to	_____
9U-30000	to	_____
9X-10001	to	_____
9J-25101	to	_____
9D-25001	to	_____
9S-27001	to	_____
9H-21001	to	_____
5FD-30005	to	_____
4DD-30000	to	_____
4SD-30000	to	_____
4HD-30000	to	_____
3FD-30000	to	_____
3ED-30000	to	_____
4UD-30000	to	_____
4XD-30000	to	_____
5EE-11000-E0	to	_____
5ED-11000-E0	to	_____

ITEM NO.	PART NO.	DESCRIPTION	QTY.
1	43646-79	Cap, Grease	2
2	7947-B	Nut, Slotted Hex 5/8-19	2
3	520-W	Pin, Cotter 1 1/4"	2
4	6655-B	Washer, Flat Blk	2
5	9030	Bearing, Ball - Sealed	2
6	43481-89	Hub, Front Wheel Assy. (Incl. items 5-7, 9, 10)	2
7	41199	Stud, Wheel	8
8	43152-66	Nut, Wheel Tapered 1/2-20	16
9	9031	Bearing, Ball - Sealed	2
10	12030	Seal, Oil	2
11	43156-63	Valve, Stem	4
12	43158-65	Valve, Stem Extension	4
13	42996-83	Rim, Wheel White Classic 8 x7.00 (4-hole Golf)	4
	42109-94	Rim, Wheel 8 x3.75 - 4 Hole (I/C)	4
	42108-94	Rim, Wheel 8 x3.75 - 5 Hole (Tram & 2400 Models)	2
	42992-98	Rim, Wheel 8 x7.00 (4 Hole- Knobby)	4
14	43106-87	Tire, Classic ST (Size 8 x 8.50)	4
	43108-87	Tire, Industrial 4 & 5 Hole (Size 8 x 5.70)	4
	42991-98	Tire, ATV/Flotation (Size 8 x 11 Knobby)	4
15	40980-87	Tire/Wheel, Classic ST (Rib 8.30")	4
	40981-87	Tire/Wheel, Assy. - 4 Hole, Ind (Rib 5.60")	2/4
	40987-93B	Tire/Wheel, Assy. - 5 Hole, Ind (Rib 5.70") (Rear Only C10, EU2400 & EU2400XB)	2
	40991-98	Tire/Wheel, Assy. ATV/Flotation (Rib 11.20") (Lifted Vehicles)	2

* Not Pictured in Illustration

FRONT SUSPENSION (1996 - Early 1997)

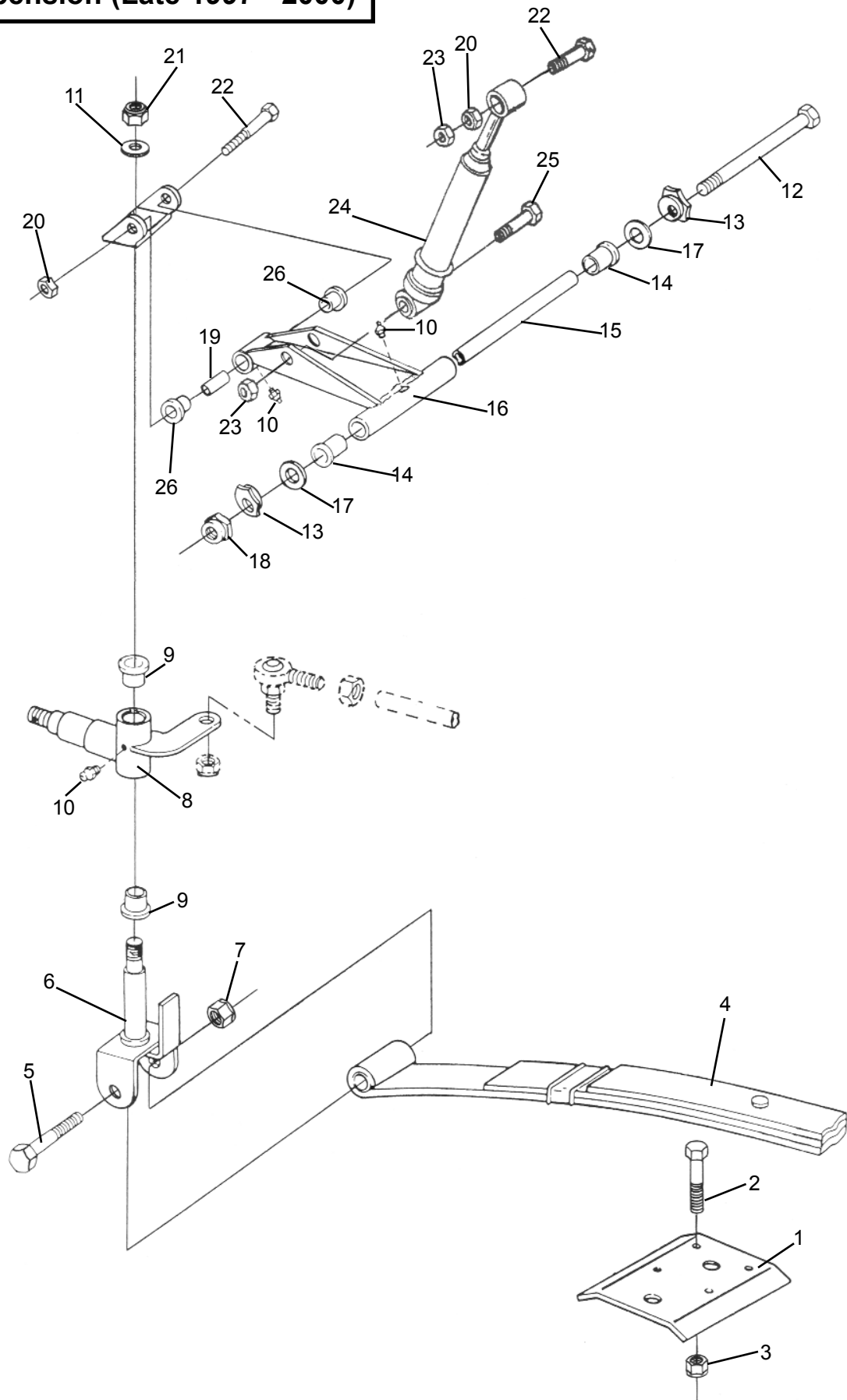


FRONT SUSPENSION

ITEM NO.	PART NO.	DESCRIPTION	QTY.	Beginning V.I.N. to Ending V.I.N.
1	47598-92	Retainer Plate, Leaf Spring	1	8E-25100-D6 to 8E-27097-D7
2	3775	Screw, 3/8-16 x 2", Hex Cap	4	4E-25001-D6 to 4E-27009-D7
3	7778	Locknut, 3/8-16, Hex Nylok	4	
4	43929-88	Spring, 3 Leaf (Gas P4G, G4S Only)	1	5E-27001-D7 to 5E-27007-D7
*	43929-88A	Spring, 4 Leaf (Electric P4E, E4S FG, FE, C6G,C6E,EU4, GU4, EU4XB and GU4XB)	1	8C-25001-D6 to 8C-27007-D6
*	43929-95	Spring, 4 Leaf, H.D. (C10E, C10G, EU2400, GU2400, EU2400XB, GU2400XB & Cab Option)	1	4C-25001-D6 to 4C-25006-D6
5	4253	Screw, Hex Cap 7/16-20 x 3 1/2"	2	5C-25001 to 5C-25033
6	57054-90	King Pin	2	8U-25001 to 8U-25033
7	7825	Locknut, 7/16-20, Hex Nylok	6	4U-25001 to 4U-25054
8	57150-88	Steering Arm, Tow System Assy., R.H. (P4E, P4G) (Incl. Items 9 & 10)	1	8D-25001 to 8D-25009
*	57160-88	Steering Arm, Assy., R.H.(Incl. Items 9 & 10) (All Vehicles, Except P4E, P4G)	1	4D-25001 to 4D-25001
*	58000-88	Steering Arm, Assy., L.H. (All Vehicles) (Incl. Items 9 & 10)	1	4S-25001 to 4S-25032
9	43938-86	Bushing (.62" I.D.)	8	8S-25001 to 8S-25009
10	9853	Fitting, Lubrication	6	4H-25100 to 4H-25104
11	45407-90	Mounting Bracket, A-Arm	2	4F-25100 to 4F-25101
12	3452	Screw, Hex Cap 3/8-24 x 8",	2	8F-25001 to 8F-25062
13	43946-88	Adjuster, Camber	4	8X-25001 to 8X-25008
14	43937-86	Bushing (.75" I.D.)	4	4X-25001 to 4X-25008
15	43950-88	Tube-Spacer A-Arm	2	
16	45399-90A	A-Arm, Assy. (Incl. Items 9-10, 14)	1	4J-27001 to 4J-27001
17	6801	Washer, .375 x 1.5 x 1.8"	4	4N-25001 to 4N-25024
18	7775	Locknut, Nylok 3/8-24	2	
19	5706	Spacer, A-Arm	2	
20	7685	Locknut, 1/2-13, Nylok Thin	2	
21	8165	Locknut, 7/16-20, Disc Lock	2	
22	3406	Screw, 1/2-13 x 3", Hex Cap	4	
23	7685	Locknut, Nylok 1/2-13	4	
24	7880	Nut, Hex Cap 1/2-13	2	
25	54514-89	Shock Absorber	2	
26	3407	Screw, Hex Cap 1/2-13x2 1/4"	2	
27	57166-88	Steering, Washer	1	

* Not Pictured in Illustration

Front Suspension (Late 1997 - 2000)



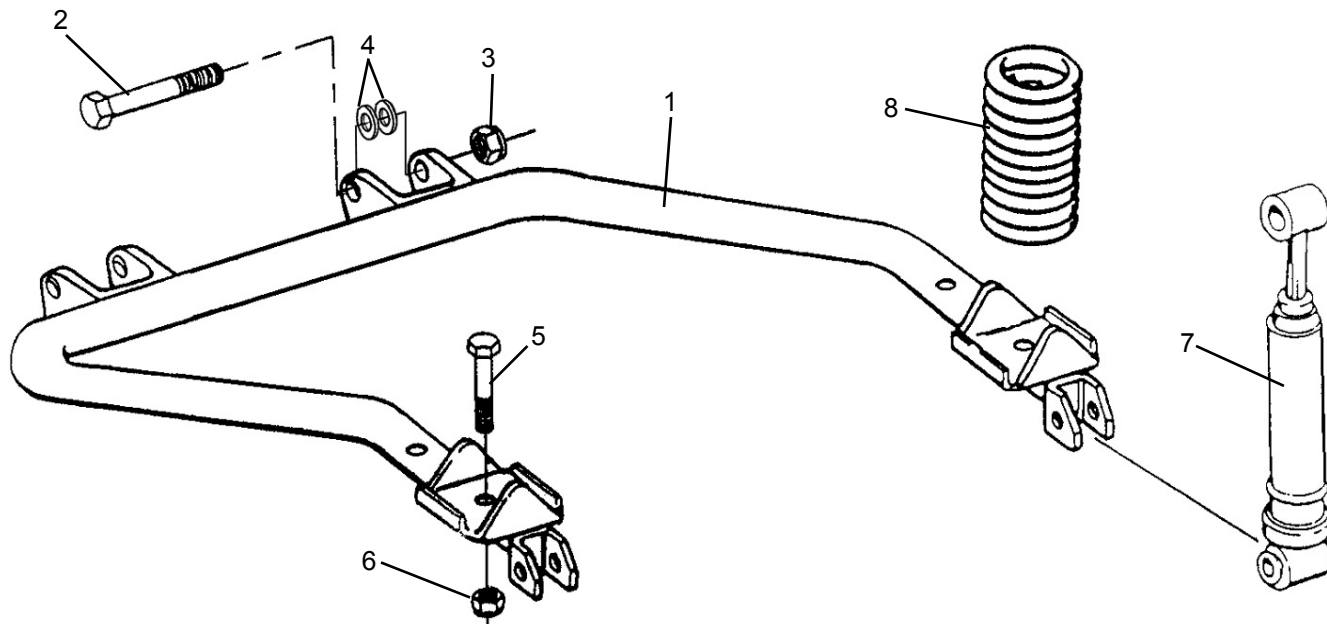
FRONT SUSPENSION

FRONT SUSPENSION				Beginning V.I.N. to Ending V.I.N.
ITEM NO.	PART NO.	DESCRIPTION	QTY.	
1	47598-92	Retainer Plate, Leaf Spring	1	8E-27098-D7 to _____
2	3775	Screw, Hex Cap 3/8-16 x 2"	4	4E-27010-D7 to 4E-28133-D8
3	7778	Locknut, Hex Nylok 3/8-16	4	5E-27008-D7 to _____
4	43929-88	Spring, 3 Leaf (P4G, G4S Only)	1	3E-21842-D8 to _____
*	43929-88A	Spring, 4 Leaf (Electric P4E, E4S FG, FE, C6G*, C6E*, EU4, GU4, EU4XB and GU4XB)	1	8C-25030 to 8C-25080
*	43929-95	Spring, 4 Leaf, H.D. (C10E, C10G, EU2400, C6G**, C6E**, GU2400, EU2400XB, GU2400XB & Cab Option)	1	4C-25034 to 4C-25037
5	4253	Screw, Hex Cap 7/16-20x3 1/2"	2	5C-25001 to 5C-25016
6	57054-90	King Pin	2	8U-25034 to _____
7	7825	Locknut, Hex Nylok 7/16-20	6	4U-25055 to _____
8	57150-88	Steering Arm, Tow System Assy., RH (Incl. Items 8 - 10)	1	8D-25010 to _____
*	58000-88	Assy., Steering Arm, LH (All Vehicles) (Incl. Items 8 - 10)	1	4D-25002 to _____
*	57338-94	Arm, Steering R.H. (Hyd Disc Brakes) (Incl. Items 8 - 10)	1	4S-25033 to _____
*	57339-94	Arm, Steering L.H. (Hyd Disc Brakes) (Incl. Items 8 - 10)	1	8S-25010 to _____
9	43938-86	Bushing, Oilite Brnz	4	4H-25105 to _____
10	9853	Fitting, Lubrication	6	4F-25102 to _____
11	45407-97	Mounting Bracket, A-Arm	2	5F-25063 to _____
12	3452	Screw, Hex Cap 3/8-24x8"	2	8F-25009 to _____
13	43946-88	Adjuster, Camber	4	8X-25009 to _____
14	43937-86	Bushing	4	4X-25009 to _____
15	43950-88	Tube, Spacer A-Arm	2	4J-27002 to _____
16	45399-97	AArm, Assy. (Incl. Items 9, 10, 15)	2	4N-25025 to _____
17	6801	Washer	4	4N-25025 to _____
18	7775	Locknut, Hex Nylok 3/8-24	2	3F-25100 to _____
19	43952-97	Spacer, A-Arm	2	3S-25100 to _____
20	7685	Locknut, Nylok 1/2-13	6	4Z-00001 to _____
21	8165	Locknut, Disc Lock 7/16-20	2	8Z-00001 to _____
22	3406	Screw, Hex Cap 1/2-13x3"	4	9N-25001 to _____
23	7880	Nut, Hex 1/2-13	2	9F-30000 to _____
24	54514-89	Asorber, Shock	2	9U-30000 to _____
25	3407	Bolt, Hex Cap 1/2-13x2 1/4"	2	9X-10001 to _____
26	36460-96	Bushing	4	9J-25101 to _____
				9D-25001 to _____
				9S-27001 to _____
				9H-21001 to _____
				5FD-30005 to _____
				4DD-30000 to _____
				4SD-30000 to 4SD-30017*
				4SD-30018** to _____
				4HD-30000 to _____
				3FD-30000 to _____
				3ED-30000 to _____
				4UD-30000 to _____
				4XD-30000 to _____
				5EE-11000-E0 to _____
				5ED-11000-E0 to _____

* Not Pictured in Illustration

** Required with Cab Option

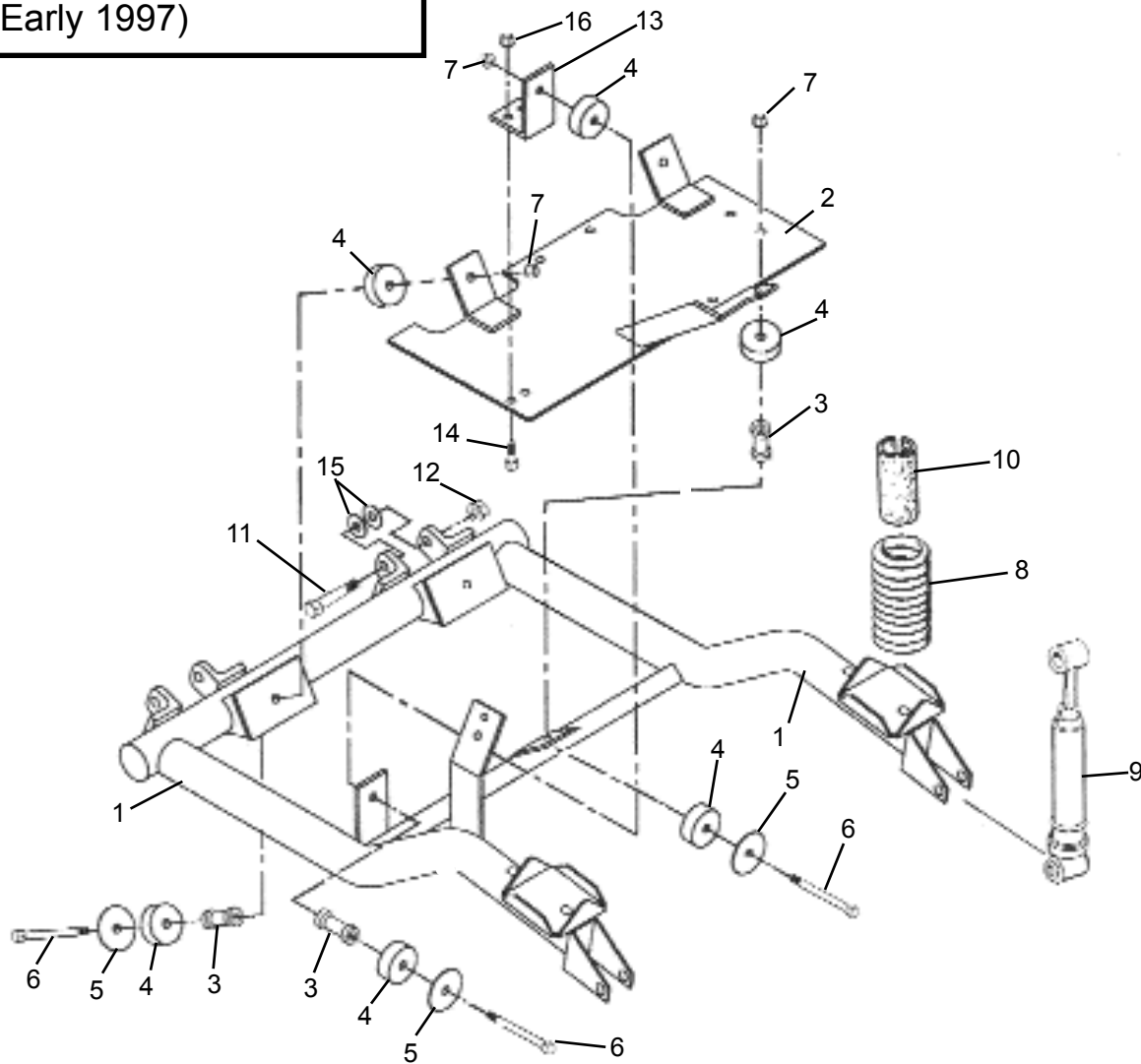
REAR SUSPENSION - ALL ELECTRIC



ITEM NO.	PART NO.	DESCRIPTION	QTY.	Beginning V.I.N. to Ending V.I.N.	
1	47039-89	Assy., Rear Fork	1	4E-25100-D6	to 4E-28133-D8
	47040-89	Assy., Rear Fork (E4S Only)	1	5E-27001-D7	to _____
2	3950	Screw, 1/2 - 20 x 4", Hex Cap	2	4C-25001-D6	to 4C-25037
3	7812-W	Locknut, 1/2 - 20 Hex, Nylok	2	3E-25100-D8	to _____
4	6568-B	Washer, .39 x .58"	A.R.	5C-25001	to 5C-25016
5	4434-W	Bolt, 3/8 - 24 x 3 1/4"	4	4U-25001	to _____
6	7775	Locknut, 3/8 - 24, Hex Nylok	4	4D-25001	to _____
7	54514-89	Shock Absorber	2	4S-25001	to _____
8	54565-86	Spring Rear (P4E)	2	4H-25100	to _____
	54569-92	Spring Rear (FE, EU4, ED4, EUXB, E4S, C6E, 911)	2	4F-25100	to _____
	54571-93	Spring Rear-Outer (911)	2	5F-25100	to _____
	54574-93	Spring Rear-Outer (EU2400, EU2400XB, C10E)	2	4X-25001	to _____
*	54570-93	Spring Rear-Inner (EU2400, EU2400XB, C10E, E4S)	2	4J-27001	to _____
*		Stopper (E4S)	2	4N-25001	to _____
				4Z-00001	to _____
				3F-25100	to _____
				3S-25001	to _____
				5FD-30005	to _____
				4DD-30000	to _____
				4SD-30000	to _____
				4HD-30000	to _____
				3FD-30000	to _____
				3ED-30000	to _____
				4UD-30000	to _____
				4XD-30000	to _____
				5EE-11000-E0	to _____
				5ED-11000-E0	to _____

* Not Pictured in Illustration

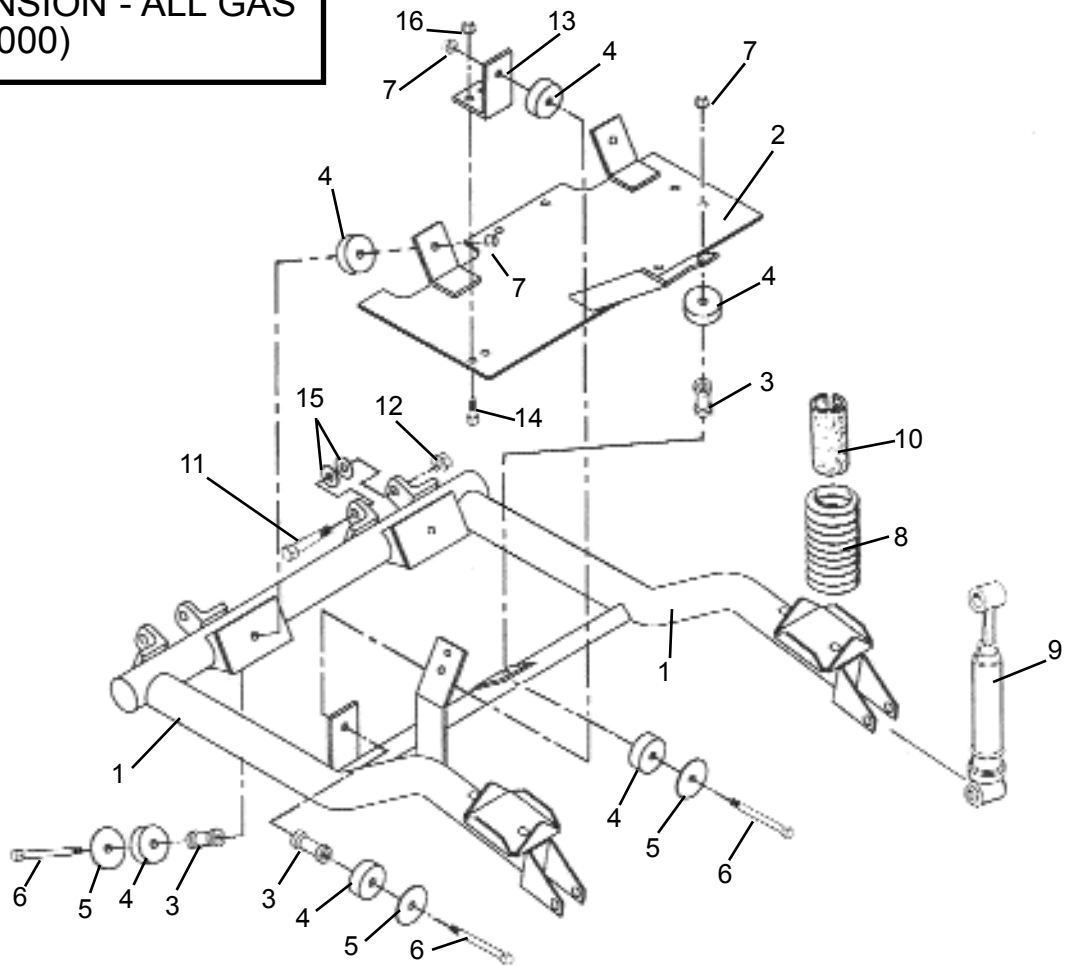
**REAR SUSPENSION - ALL GAS
(1996 - Early 1997)**



ITEM NO.	PART NO.	DESCRIPTION	QTY.	Beginning V.I.N. to Ending V.I.N.
1	47452-96	Rear Fork, All Gas	1	8E-25100-D6 to 8E-27341-D6
	47451-96	Rear Fork, Gas (G4S Only)	1	
2	47454-96	Engine Mount Plate	1	8C-25001-D6 to 8C-25030-D6
3	16232-96	Engine Mount Spacers	4	8U-25001 to 8U-25039
4	16227-96	Engine Mount Isolations	8	
5	6412	Washer 3/8	4	8D-25001 to 8D-25016
6	4719-W	Screw, Hex Cap 3/8-16x2 1/2"	4	8S-25001 to 8S-25013
7	7512	Locknut, Flanged 3/8-16	4	8S-25001 to 8S-25013
8	54564-73	Coil Springs P4G	2	8F-25001 to 8F-25063
	54516-89	Coil Springs G4S	2	
	54571-93	Coil Springs, Outer (C6G)	2	8X-25001 to 8X-25012
*	54570-93	Coil Springs, Inner (C6G)	2	
*	54569-92	Coil Springs (GU4, GU4XB, GD4, C6G, FG)	2	
9	54514-89	Shock Absorber	2	
10	54641-89	Spring, Dampener	2	
11	4004	Screw, Hex Cap 1/2-20x4 1/2"	4	
12	7812-W	Locknut, Nylok 1/2-20	2	
13	16229-96	Snubber Bracket	1	
14	4017	Screw, Hex Cap 5/16-18x1"	2	
15	6565	Spacer, Rear Fork 1/16	2	
	6566	Spacer, Rear Fork 1/32	A.R.	
16	7740-B	Nut, Two Way Lock 5/16-18	2	

* Not Pictured in Illustration

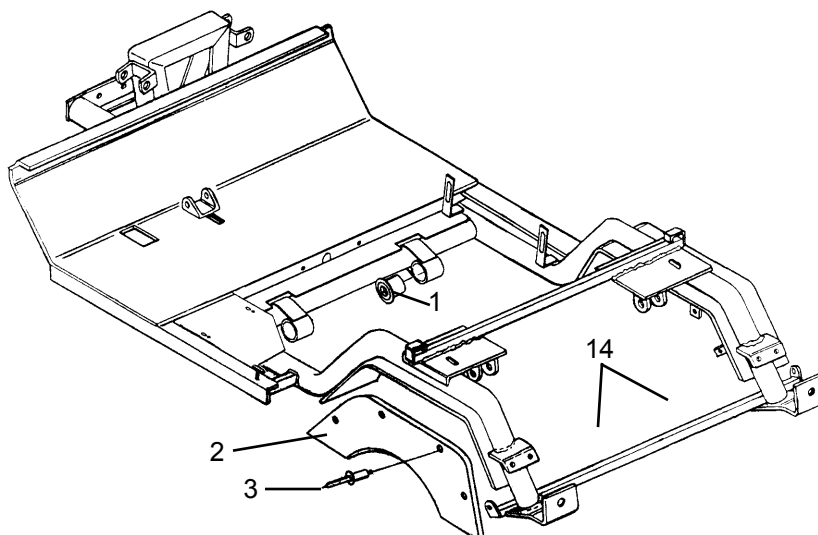
REAR SUSPENSION - ALL GAS
(Early 1997 - 2000)



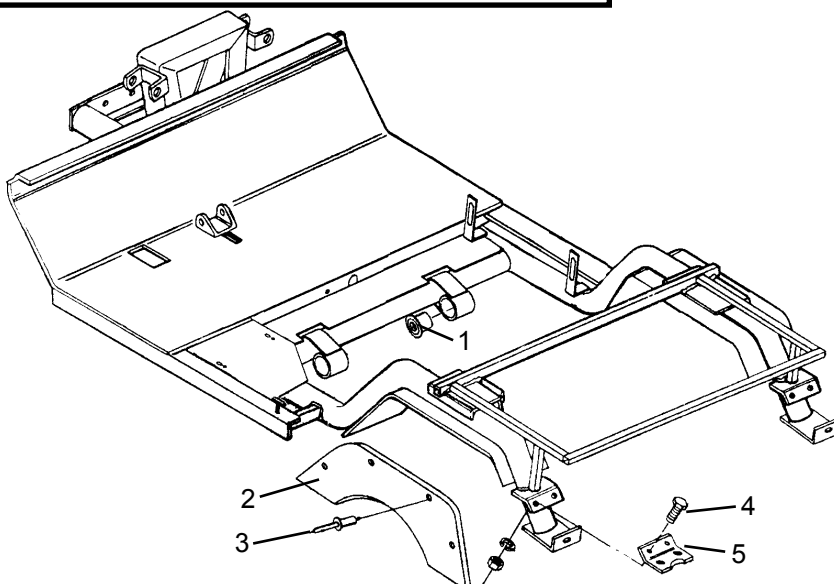
ITEM NO.	PART NO.	DESCRIPTION	QTY.	Beginning V.I.N. to Ending V.I.N.
1	47452-97	Rear Fork, Gas (9 hp)	1	8E-27342-D7 to _____
	47462-97	Rear Fork, Gas (13 hp)	1	8C-25031-D7 to 8C-25080
	47451-97	Rear Fork, Gas (G4S Only)	1	
2	47454-96	Engine Mount Plate (9 hp)	1	8U-25041 to _____
	47455-97	Engine Mount Plate (13 hp)	1	
3	16232-96	Engine Mount Spacers	4	8D-25017 to _____
4	16227-96	Engine Mount Isolations (9 hp)	8	8S-25014 to _____
	16230-97	Engine Mount Isolations (13 hp)	8	
5	6412	Washer, Zinc 3/8	4	8F-25064 to _____
6	2828-W	Bolt, Hex 3/8-16x3" (9 hp)	4	8X-25013 to _____
	4719-W	Bolt, Hex 3/8-16x2 1/2" (13 hp)	4	
7	7512	Locknut, Flanged 3/8-16	4	8Z-00001 to _____
8	54564-73	Coil Springs P4G	2	9N-25001 to _____
	54516-89	Coil Springs G4S	2	9F-30000 to _____
	54569-92	Coil Springs (Gas Utilities, C6, 911, FG)	2	9U-30000 to _____
	54574-93	Coil Springs, Outer (C10, GU2400, GU2400XB)	2	9X-10001 to _____
	54570-93	Coil Springs, Inner (C10G, GU2400, GU2400XB)	2	9J-25101 to _____
9	54514-89	Absorber, Shock Rear	2	9D-25001 to _____
10	54641-89	Spring, Dampener	2	9S-27001 to _____
11	4004	Bolt, Hex 1/2-20x4 1/2"	4	9H-21001 to _____
12	7812-W	Locknut, Nylok1/2-20	2	
13	16229-96	Snubber Bracket	1	
14	4017	Bolt, Hex 5/16-18x1"	2	
15	6565	Spacer, Rear Fork 1/16	2	
	6566	Spacer, Rear Fork 1/32	A.R.	
16	7740-B	Locknut, Cntr lock 5/16-18	2	

* Not Pictured in Illustration

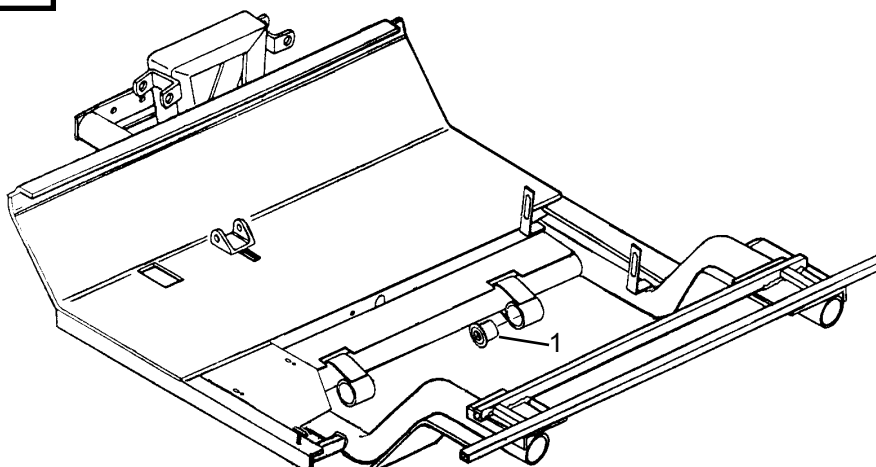
FRAME - P4G, G4S, P4E, E4S



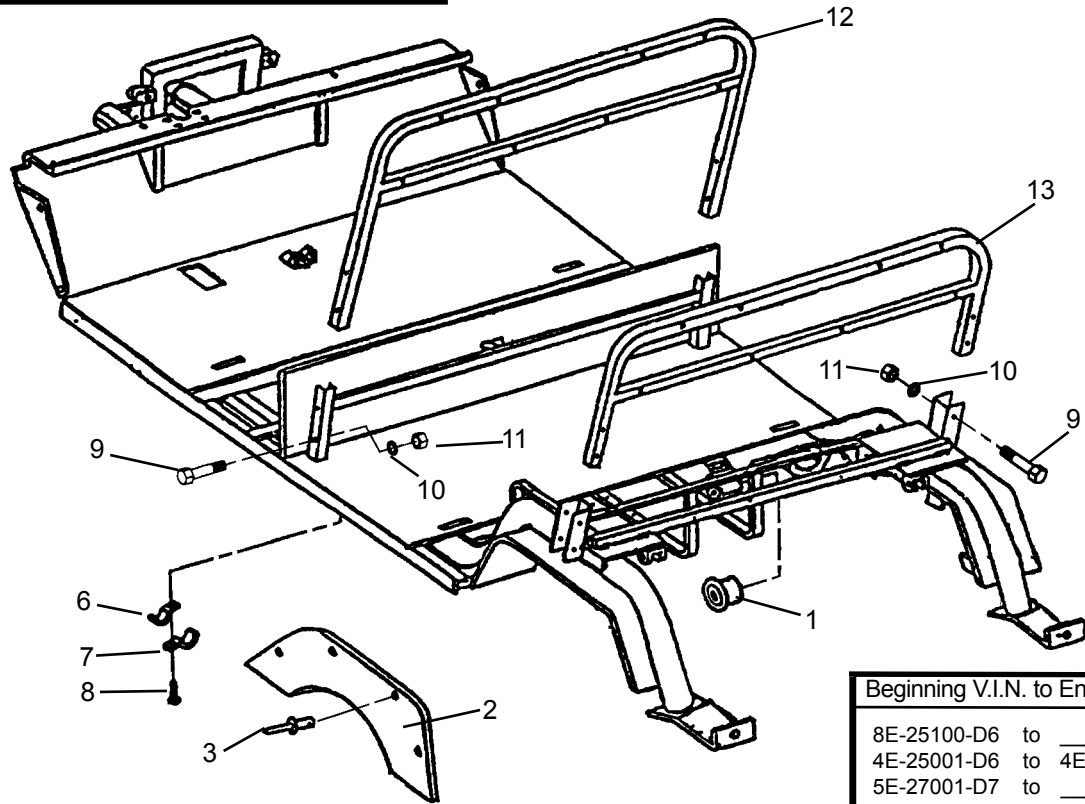
FRAME - GU4, GUXB, EU4, EUXB, XB2000, C10E



FRAME - GD4, ED4



FRAME - C6G, C6E, FG, FE, FE+



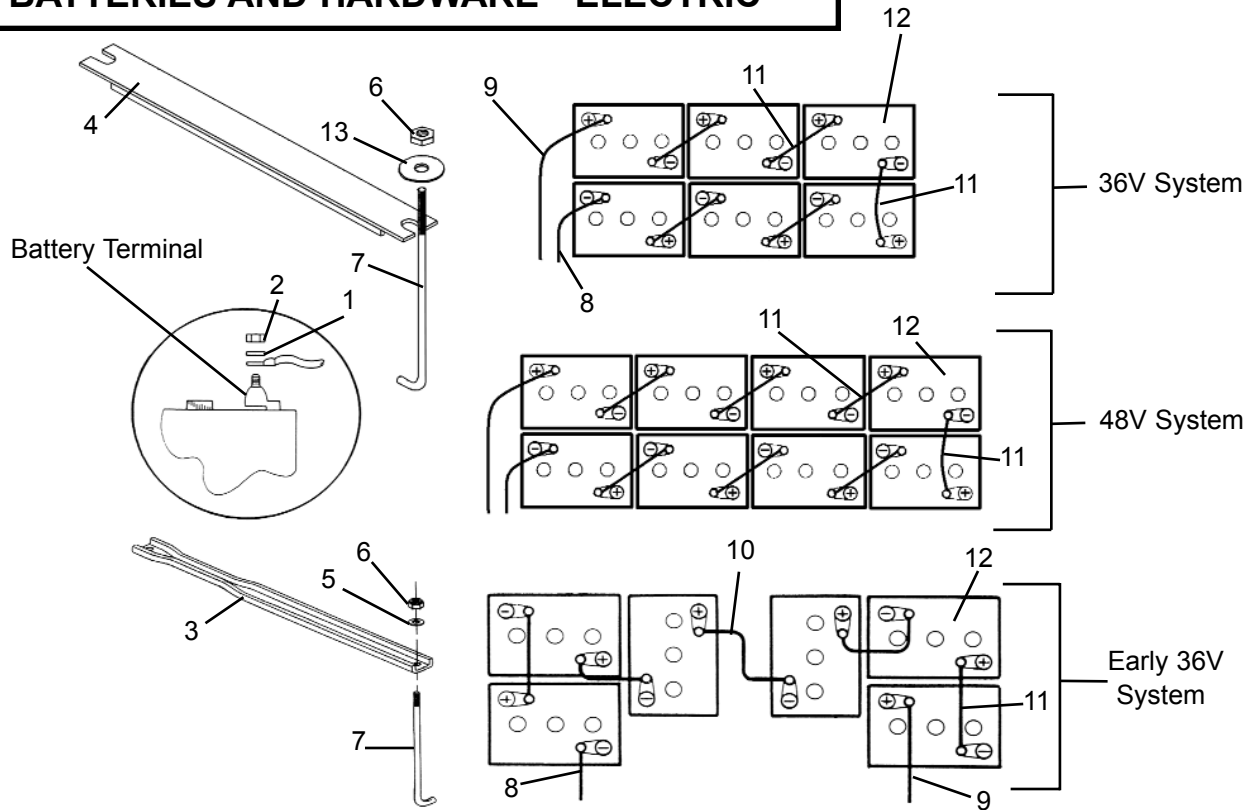
ITEM NO.	PART NO.	DESCRIPTION	QTY.
1	47524-66	Bushing, Fork	2
2	59594-92	Fender, Wall	2
3	8700	Rivet 1/4x3/4"	8
4	3987-BS	Screw, 5/16-18x3/4 (EU4, GU4, C10E)	4
5	47077-89	Bracket, Body Mounting (EU4, GU4, C10E)	2
6	3358	Clamp, Cable 1/2" (C6G)	1
7	3380	Clamp, Cable 5/8" (C6G)	1
8	2653-B	Screw, #10x3/4" (C6G)	1
9	2002	Screw, 1/4-20x1 3/4" (C6G, C6E, FG, FE)	8
10	7036-B	Lockwasher 1/4	8
11	7688-B	Nut, Hex Black 1/4-20	8
12	51501-96	Seat Back Frame, Front (C6E, C6G, FE, FG)	1
13	50503-96	Seat Back Frame, Rear (C6E, C6G)	1
*	50556-96	Seat Back Frame, Rear (FE, FG)	1
14	11402	Bumper - Body (2000 Models)	2

* Not Pictured in Illustration

Beginning V.I.N. to Ending V.I.N.

8E-25100-D6	to	_____
4E-25001-D6	to	4E-28133-D8
5E-27001-D7	to	_____
8C-25001-D6	to	8C-25080
4C-25001-D6	to	4C-25037
3E-30079-E0	to	_____
5C-25001	to	5C-25016
8U-25001	to	_____
4U-25001	to	_____
8D-25001	to	_____
4D-25001	to	_____
4S-25001	to	_____
8S-25001	to	_____
4H-25100	to	_____
4F-25100	to	_____
5F-25100	to	_____
8F-25001	to	_____
8X-25001	to	_____
3F-25100	to	_____
3S-25100	to	_____
4Z-00001	to	_____
4S-25001	to	_____
8Z-00001	to	_____
9N-25001	to	_____
9F-30000	to	_____
9U-30000	to	_____
9X-10001	to	_____
9J-25101	to	_____
9D-25001	to	_____
9S-27001	to	_____
9H-21001	to	_____
4UD-30002	to	_____
4SD-30014	to	_____
3ED-25200	to	_____
5FD-30000	to	_____
3FD-10027	to	_____
4DD-25001	to	_____
4SD-10005	to	_____
5EE-25100-E0	to	_____
5ED-25001-E0	to	_____

BATTERIES AND HARDWARE - ELECTRIC



ITEM NO.	PART NO.	DESCRIPTION	QTY.	Beginning V.I.N. to Ending V.I.N.
1	7127	Lockwasher, Internal Tooth	12/16	4E-25001-D6 to 4E-28133-D8
2	7748-B	Nut, 5/16-18, Hex Cap	12/16	5E-27001-D7 to _____
3	47711-84	Battery Hold Down	2	4C-25001-D6 to 4C-25037
4	47711-98	Battery Hold Down (In-Line Batteries Only)	1	5C-25001 to 5C-25016
5	6703-B	Washer, Plain Blk 1/4"	8	5F-25100 to _____
6	7686	Locknut, 1/4 - 20, Hex Nylok	4	4H-25100 to _____
7	66561-90	Rod, Battery Hold Down	4/2	4F-25100 to _____
8	70447-90	Cable, Battery 6GA. (P4E, E4S)	1	4U-25001 to _____
	70446-90	Cable, Battery, 6GA. (C6E, P4E, E4S with VIN Prefix 4E, 4C, 4F)	1	4D-25001 to _____
	70105-88	Cable, Battery 4GA. (EU4)	1	4S-25001 to _____
	70107-89	Cable, Battery Neg. (FE, EUXB, EU2400XB, C10E)	1	4X-25001 to _____
9	70446-90	Cable, Batter6GA.y (P4E, E4S)	1	4J-27001 to _____
	70105-88	Cable, Battery 4GA. (All Except P4E, E4S)	1	4N-25001 to _____
10	70108-85	Cable, Battery Jumper 6GA. (12 inches)	1	4Z-00001 to _____
11	70099-88	Cable, Battery Jumper 4GA. (9 inches)	4/5/7	3F-25100 to _____
12	66014-84**	Battery, 6 Volt, Deep Cycle	6/8	3S-25100 to _____
	66011-99**	Battery, 8 Volt, Deep Cycle	6	5FD-30005 to _____
*	66385-00	Battery Support (For 36V Battery String)	2	4DD-30000 to _____
13	31067-63	Washer, Flat	2	4SD-30000 to _____
				4HD-30000 to _____
				3FD-30000 to _____
				3ED-30000 to _____
				4UD-30000 to _____
				4XD-30000 to _____
				5EE-11000-E0 to _____
				5ED-11000-E0 to _____

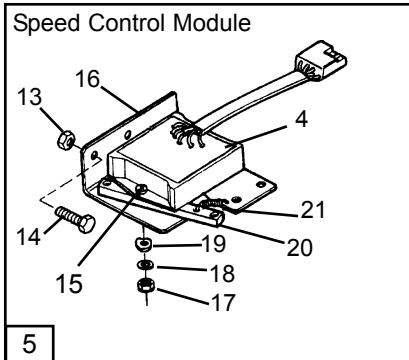
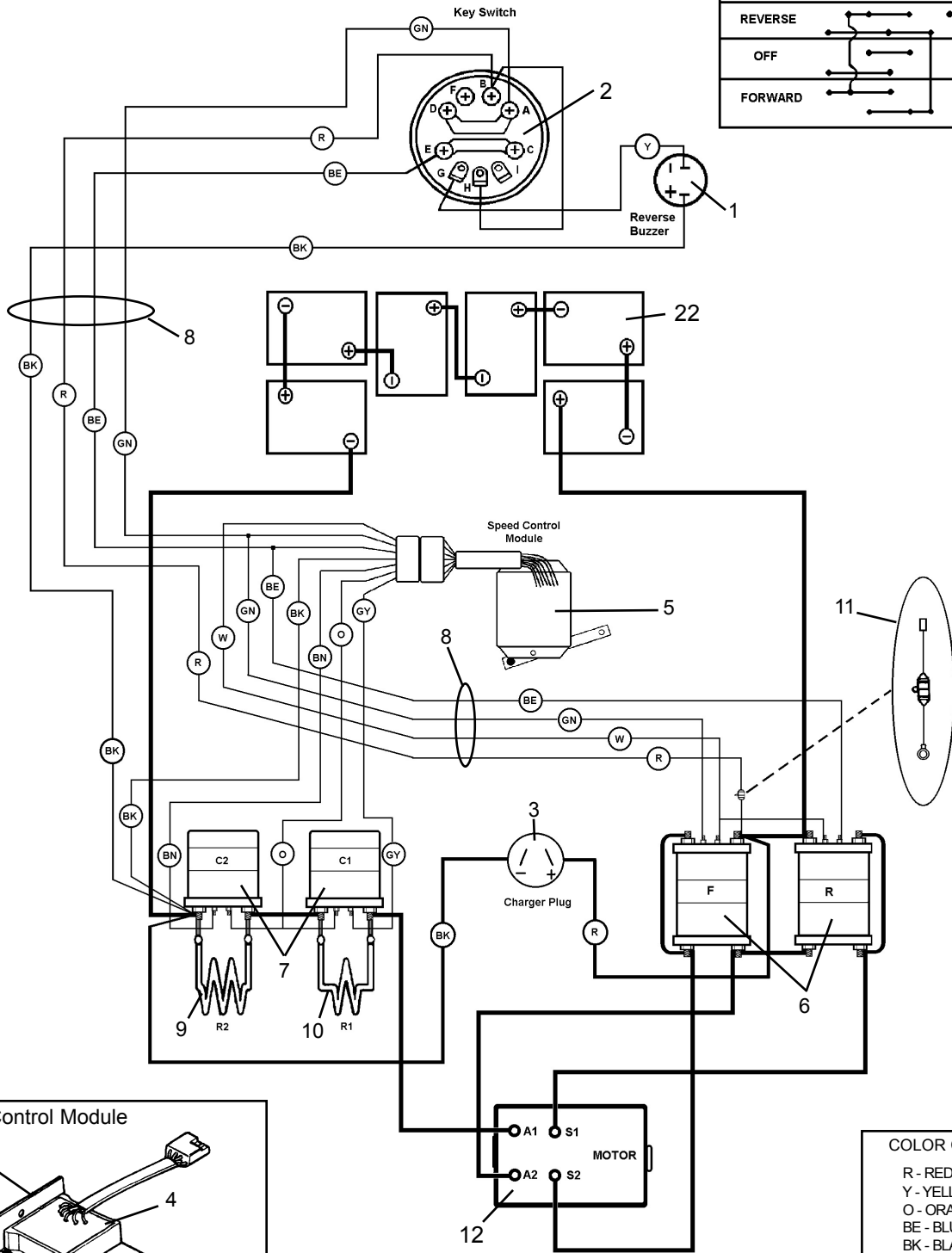
* Not Pictured in Illustration

** Wet, Sold as is Only, Pickup or Will Call **ONLY**

ELECTRICAL WIRING XP - P4E, E4S, FE

Key Switch Connections

POSITION	A	B	C	D	E	F	G	H	I
REVERSE	[Switch]		[Switch]		[Switch]		[Switch]		[Switch]
OFF	[Switch]		[Switch]		[Switch]		[Switch]		[Switch]
FORWARD	[Switch]		[Switch]		[Switch]		[Switch]		[Switch]



- COLOR CODE**
- R - RED
 - Y - YELLOW
 - O - ORANGE
 - BE - BLUE
 - BK - BLACK
 - W - WHITE
 - GY - GRAY
 - BN - BROWN
 - GN - GREEN
- All Unspecified Cables are Black.

ELECTRICAL WIRING, XP - P4E, E4S, FE

ITEM NO.	PART NO.	DESCRIPTION	QTY.	Beginning V.I.N. to Ending V.I.N.
1	71409-90	Buzzer, Reverse 36V	1	
2	71762-82A	Keyswitch with Key	1	
*	71766-82A	Key Only	1	4E-25001-D6 to 4E-28133-D8
3	66036-72	Charger Receptacle, DC	1	4C-25001-D6 to 4C-25037
4	71858-94	Speed Switch	1	4F-25100 to 4F-25103
5	71494-89A	Assy., Speed Switch	1	
6	71459-87	Solenoid 6T - 36V (Forward/Reverse)	2	
7	71458-87	Solenoid 4T - 36V	2	
8	70646-94	Wire Harness	1	
9	71407-85	Resistor .16 OHM (5 Coil)	1	
10	71406-85	Resistor .080 OHM (3 Coil)	1	
*	75041-95	Meter, State of Charger, 36 Volt (Analog Type - Optional)	1	
11	71860-94	Fuseholder, Assy.,	1	
*	71859-90	Fuse, 1 Amp	1	
12	69200-89A	Traction Motor	1	
13	7683	Nut, Lock	2	
14	3765	Screw, 1/4-28 x 5/8", Hex Cap	2	
15	2659	Screw, 10-24 x 7/8", Pozi Head	2	
16	71821-88	Bracket, Speed Control	1	
17	7624	Nut, Lock, 10-24	2	
18	6716	Washer, 10 Plain	2	
19	7000	Washer, Spring	1	
20	71855-89A	Arm, Magnet Assy.	1	
21	71513-87	Spring, Return, Speed Switch	1	
22	66014-84**	Battery, 6 Volt, Deep Cycle	6	

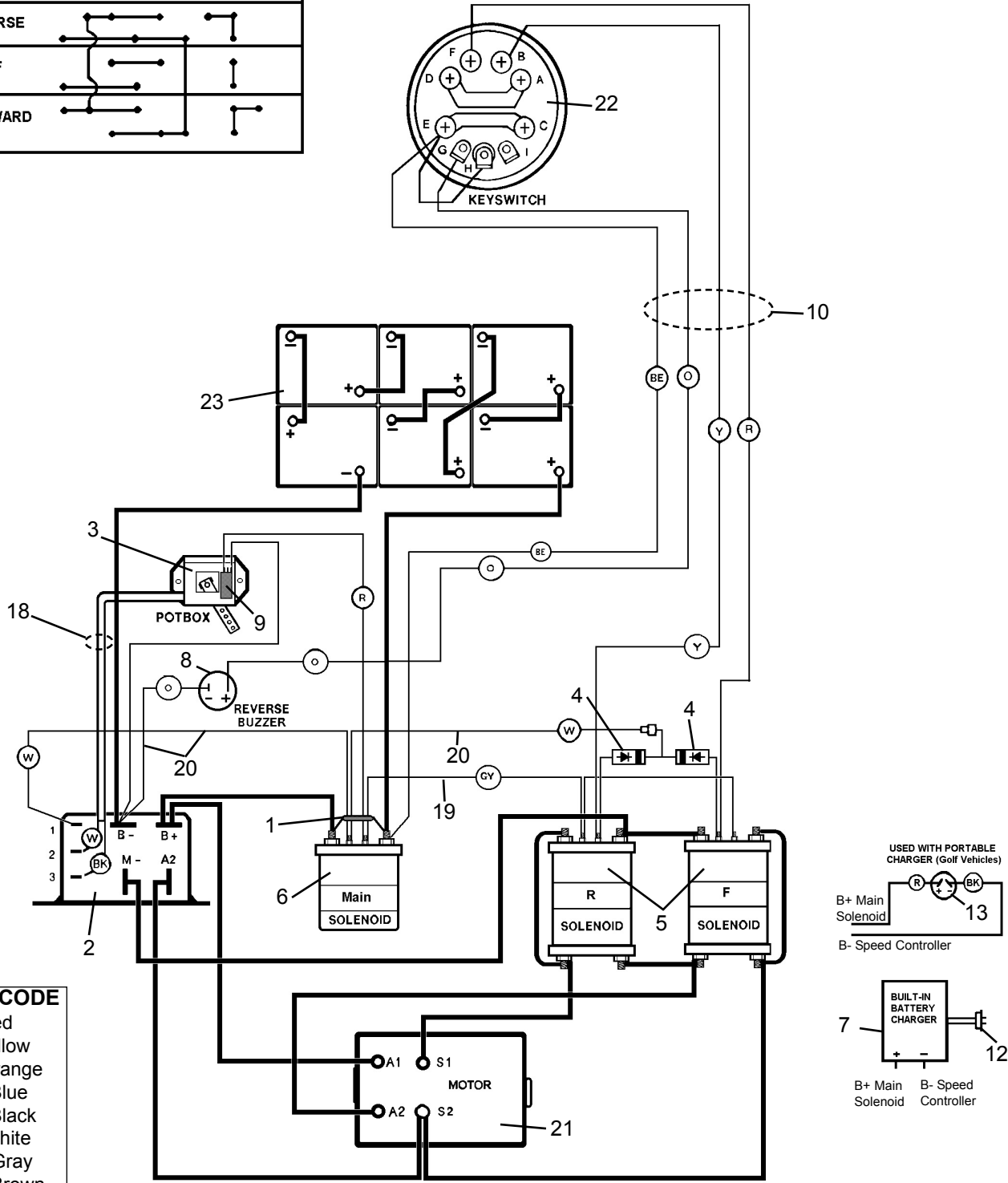
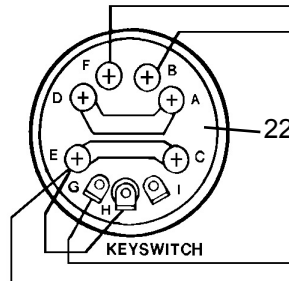
* Not Pictured in Illustration

** Wet, Sold as is Only, Pickup or Will Call **ONLY**

Electrical Wiring - 36 and 48 Volt, XP+: EU4, EUXB, EU2400, EU2400XB, ED4, C6E,C10E, P4E+, FE+, 911, E4S

Key Switch Connections

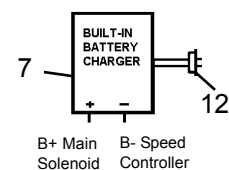
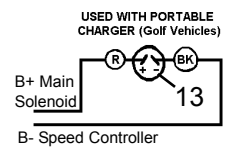
POSITION	A	B	C	D	E	F	G	H	I
REVERSE	[Circuit diagram]		[Circuit diagram]		[Circuit diagram]		[Circuit diagram]		
OFF	[Circuit diagram]		[Circuit diagram]		[Circuit diagram]		[Circuit diagram]		
FORWARD	[Circuit diagram]		[Circuit diagram]		[Circuit diagram]		[Circuit diagram]		



COLOR CODE

- R - Red
- Y - Yellow
- O - Orange
- BE - Blue
- BK - Black
- W - White
- GY - Gray
- BN - Brown

All Unspecified Cables are Black



Electrical Wiring - 36 and 48 Volt,XP+: EU4, EUXB, EU2400, EU2400XB, ED4, C6E, C10E, P4E+, FE+, 911, E4S

ITEM NO.	PART NO.	DESCRIPTION	QTY.	Beginning V.I.N. to Ending V.I.N.
1	70592-87	Resistor (Curtis)	1	5E-11003-E0 to _____
2	74883-87	Module, Speed Controller (36 Volt)	1	5C-25001 to 5C-25016
	74889-99	Module, Speed Controller (48 Volt)	1	
	74891-96	Module, Speed Controller (36Volt 400 Amp)	Optional	5F-25100 to _____
3	74882-97	Speed Switch (Pot Box) (Plastic Case)	1	4F-25100 to _____
	74882-87	Speed Switch (Pot Box) (Metal Case)	1	4U-25001 to _____
	70061-00	Speed Switch (Pot Box) (12 in Leads, Plastic Case)	1	4J-27001 to _____
4	74886-87	Diode, Set (With Connectors)	1	4X-25001 to _____
	74886-67	Diode (Only)	2	4N-25001 to _____
5	71459-87	Solenoid 6T 36 V	2	4S-25001 to _____
	71457-99	Solenoid 6T 48 V	2	
6	71458-87	Solenoid 4T 36 V	1	4H-25100 to _____
	71456-99	Solenoid 4T 48 V	1	4Z-00001 to _____
7	66501-89**	Charger, Built-In 36V, 25 AMP (115V - 60Hz)	1	4D-25001 to _____
*	66534-91A**	Charger, Built-In (200V - 50Hz) (Export)	1	5FD-30005 to _____
*	66545-00**	Charger, Built-In, 48V (120V - 60Hz)	1	4DD-30000 to _____
*	66493-67A	AC Cord (Used with Built-in Charger)	1	4SD-30000 to _____
*	66536-89A	Charger, Portable (100V - 50Hz) (Export)	1	4HD-30000 to _____
*	66534-83A	Charger, Portable (36V - 60Hz)	1	4UD-30000 to _____
*	66534-91	Charger, Portable (200V - 50Hz) (Export)	1	4XD-30000 to _____
*	66536-85	Charger, Portable (230V - 50Hz) (Export)	1	
*	66538-93	Charger, Portable (230V - 60Hz)	1	5EE-11000-E0 to _____
*	66544-00	Charger, Portable, 48V (120V - 60Hz)	1	5ED-11000-E0 to _____
*	66539-96MZ	Charger, Portable Global SCR (100-125V/200-250V, 50/60Hz)	1	
8	71408-96	Buzzer, Round Reverse (9-48 Volt)	1	
	71756-75	Buzzer, Reverse (24/36 Volt)	1	
9	74882-93	Micro-Switch, (Speed Switch)	1	
10	70059-96	Main Harness (P4E+, E4S+, ED4, EU4)	1	
	70060-96	Main Harness (C6E, C10E, EUXB, EU2400, EU2400XB, FE+, 911)	1	
*	75033-91	Hour Meter (Optional)	1	
12	66035-87	AC Receptacle, Charger - Built-in	1	
13	66036-72	Receptacle, DC	1	
*	66853-90	Meter,State of Charge Kit (Optional)	1	
*	74592-68	Breaker, Circuit 15 Amp (Required with Accessory's)	1	
*	71807-80	Button, Horn	1	
*	69001-76A	Horn, 12 Volt	1	
18	70049-96	Aux. Wire Harness (Pot Box Micro-Switch)	1	
19	70050-96	Harness, Wire, Solenoid (Gray Wire)	1	
20	70048-96	Harness, Auxillary Wiring, Solenoid (White and Orange Wires)	1	
21	69200-89A	Motor, Complete (XP, 3.2 Horsepower)	1	
22	71762-82A	Key Switch, with Key	1	
*	71766-82A	Key, Only	1	
*	66063-69B	Cord Set, DC, Portable (With Plug)	1	
23	66014-84 ***	Battery, 6 Volt, Deep Cycle	6/8	
	66011-99 ***	Battery, 8 Volt, Deep Cycle (Optional)	6	
*	69638-99	Reducer, Voltage 16V to 12V (Optional) (Used with 8 Volt Batteries)	1	

* Not Pictured In Illustration

** Used with Non-Golf Vehicles

*** Wet, Sold as is Only, Pickup or Will Call **ONLY**

NOTE: For detailed Information Regarding Speed Switch Assembly (Pot Box Item 3) refer to page 7-13)

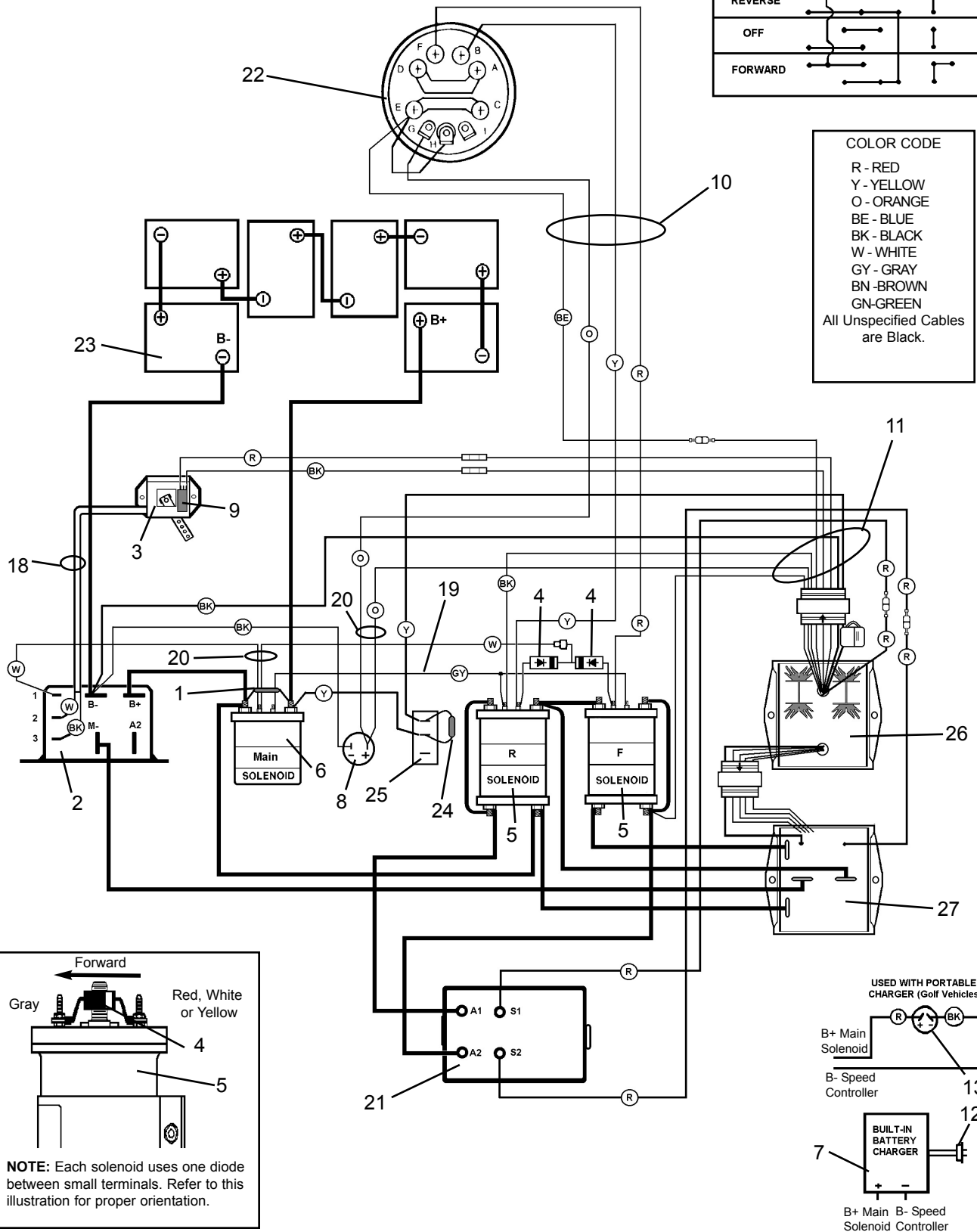
ELECTRICAL WIRING, 36V POWER MASTER MODELS

Key Switch Connection

POSITION	A	B	C	D	E	F	G	H	I
REVERSE	[Circuit diagram]		[Circuit diagram]		[Circuit diagram]		[Circuit diagram]		
OFF	[Circuit diagram]		[Circuit diagram]		[Circuit diagram]		[Circuit diagram]		
FORWARD	[Circuit diagram]		[Circuit diagram]		[Circuit diagram]		[Circuit diagram]		

COLOR CODE

- R - RED
 - Y - YELLOW
 - O - ORANGE
 - BE - BLUE
 - BK - BLACK
 - W - WHITE
 - GY - GRAY
 - BN - BROWN
 - GN - GREEN
- All Unspecified Cables are Black.



NOTE: Each solenoid uses one diode between small terminals. Refer to this illustration for proper orientation.

USED WITH PORTABLE CHARGER (Golf Vehicles)

B+ Main Solenoid

B- Speed Controller

13

BUILT-IN BATTERY CHARGER

B+ Main Solenoid

B- Speed Solenoid Controller

12

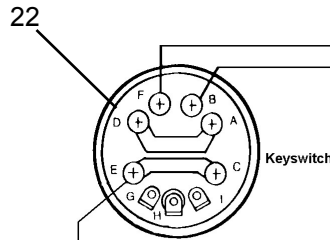
ELECTRICAL WIRING, 36V POWER MASTER MODELS

ITEM NO.	PART NO.	DESCRIPTION	QTY.	Beginning V.I.N. to Ending V.I.N.
1	70592-87	Resistor	1	3E-28360-D8 to _____
2	74883-87	Module, Speed Controller (36 Volt)	1	3ED-30000-E0 to _____
	74891-96	Module, Speed Controller (36 Volt, 400 Amp)	Optional	
3	74882-97	Speed Switch (Pot Box) (Plastic Case)	1	3FD-30006 to _____
	74882-87	Speed Switch (Pot Box) (Metal Case)	1	3F-25100 to _____
	70061-00	Speed Switch (Pot Box) (12 in. Leads, Plastic Case)	1	3S-25100 to _____
4	74886-87	Diode (With Connectors)	1	
	74886-67	Diode, Semi-Conductor Only	2	
5	71459-87	Solenoid 6T (36 Volt)	2	
6	71458-87	Solenoid 4T (36 Volt)	1	
7	66501-89	Charger, Built-In 36V, 25 AMP (115V - 60Hz)	1	
	66534-91A	Charger, Built-In (200V - 50Hz) (Export)	1	
*	66493-67A	AC Cord (Used with Built-in Charger)	1	
	66536-89A	Charger, Portable (100V - 50Hz) (Export)	1	
	66534-83A	Charger, Portable (36V - 60Hz)	1	
	66534-91	Charger, Portable (200V - 50Hz) (Export)	1	
	66536-85	Charger, Portable (230V - 50Hz) (Export)	1	
	66538-93	Charger, Portable (230V - 60Hz)	1	
	66539-96MZ	Charger, Portable Global SCR (100-125V/200-250V, 50/60Hz)	1	
8	71408-96	Buzzer, Reverse (9-48 Volt)	1	
9	74882-93	Micro-Switch, (Speed Switch)	1	
10	70059-00	Main Harness (P4E-PM, C6E-PM)	1	
	70060-00	Main Harness (FE-PM)	1	
11	70052-98	Wire Harness, Regen Module W/Connectors	1	
*	75033-91	Hour Meter (Optional)	1	
12	66035-87	Receptacle, AC Charger - Built-in	1	
13	66036-72	Receptacle, DC - Kit	1	
*	66853-90	Charge Meter Kit (Optional)	1	
*	74592-68	Breaker, Circuit 15 Amp (Needed for Accessory's)	1	
*	71807-80	Button, Horn	1	
*	69001-76A	Horn, 12 Volt	1	
18	70049-96	Wire Harness (Pot Box Micro-Switch)	1	
19	70050-96	Harness, Wire, Solenoid (Gray Wire)	1	
20	70048-96	Harness, Auxillary Wiring, Solenoid (White and Orange Wires)	1	
21	69300-97	Motor, Complete - PM (3.2 Horsepower)	1	
22	71762-82A	Key Switch with Key	1	
*	71766-82A	Key only	1	
*	66063-69B	Cord Set, DC, Portable (With Plug)	1	
23	66014-84	Battery, 6 Volt, Deep Cycle	6	
24	71414-97	Resistor, 750 Ohms	1	
25	71511-87	Switch, Toggle (Tow)	1	
26	74881-97	Module, Electronics Regen (Plug Connection)	1	
	74881-98	Module, Electronics Regen (Spade Connectors)	1	
27	74880-97	Module, Sensor Regen (Plug Connection)	1	
	74880-98	Module, Sensor Regen (Spade Connectors)	1	

* Not Pictured in Illustration

ELECTRICAL WIRING, 48V POWER MASTER MODELS

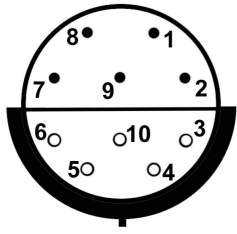
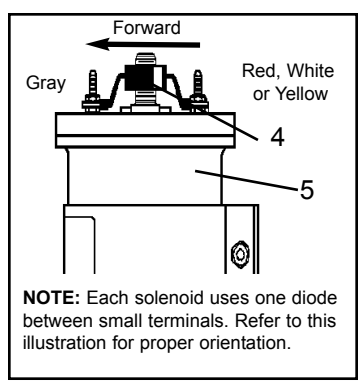
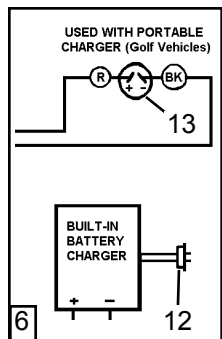
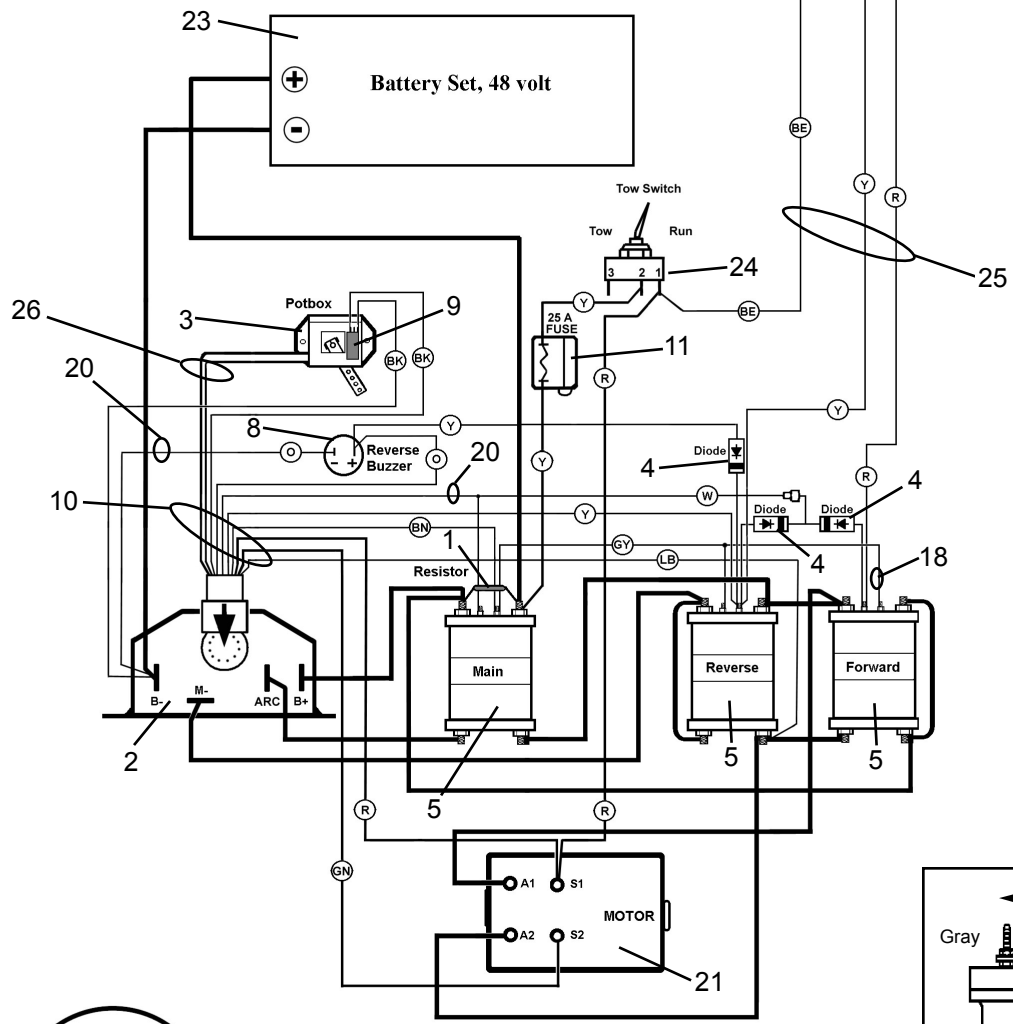
Position	A	B	C	D	E	F	G	H	I
Reverse	●	●	●	●	●	●	●	●	●
Off	●	●	●	●	●	●	●	●	●
Forward	●	●	●	●	●	●	●	●	●



COLOR CODE

- R - RED
- Y - YELLOW
- O - ORANGE
- BE - BLUE
- LB - Lt BLUE
- BK - BLACK
- W - WHITE
- GY - GRAY
- BN - BROWN
- GN - GREEN

All Unspecified Cables are Black.



Pin #	Wire Color	Pin #	Wire Color
1	Light Blue (Rev Sol)	6	Orange (Rev. Alarm)
2	White (Pot)	7	Green (S-2)
3	Black (Pot)	8	Red (S-1)
4	Brown (Main)	9	Red (Connector-Black Wire - Speed Sw)
5	White (Diode Assy, Main Sol)	10	Yellow (Rev Sol)

ELECTRICAL WIRING, 48V POWER MASTER MODELS

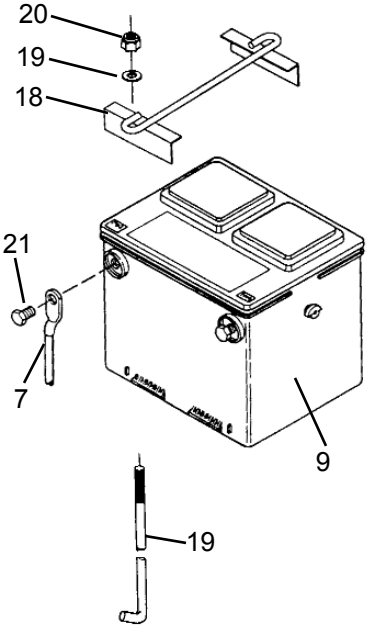
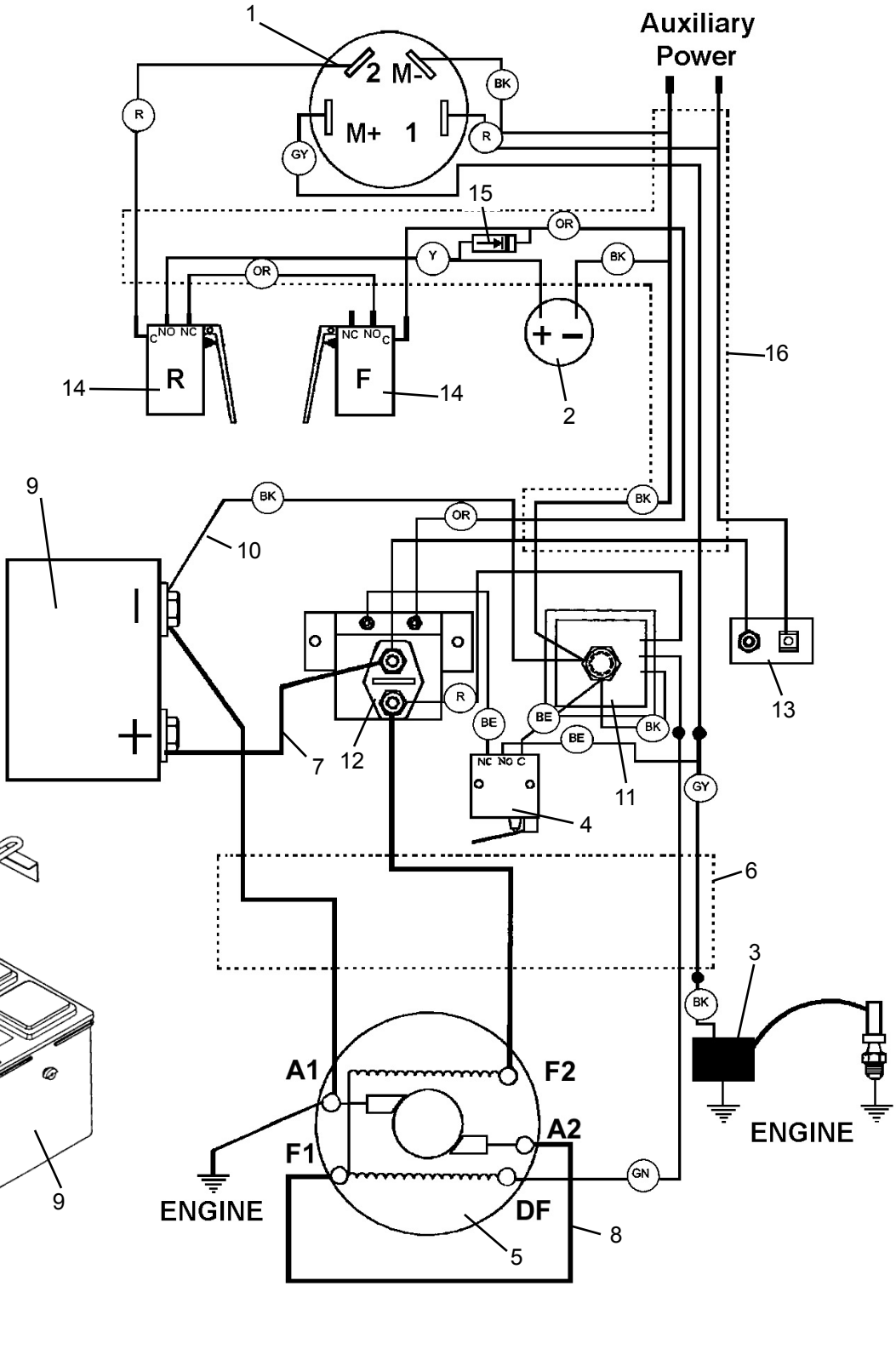
ITEM NO.	PART NO.	DESCRIPTION	QTY.	Beginning V.I.N. to Ending V.I.N.
1	70592-87	Resistor (Curtis)	1	3ED-30000-E0 to _____ 3FD-30006 to _____
2	74878-00	Module, Speed Controller (48 Volt)	1	
3	70061-00	Speed Switch (Pot Box) (12 in Leads)	1	
4	74886-87	Diode (With Connectors)	1	
	74886-67	Diode, Semi-Conductor Only	3	
5	71457-99	Solenoid 6T (48 Volt)	3	
6	66501-89	Charger, Built-In 36V, 25 AMP (115V - 60Hz)	1	
	66534-91A	Charger, Built-In (200V - 50Hz) (Export)	1	
	66545-00	Charger, Built-In, 48V (120V - 60Hz)	1	
*	66493-67A	AC Cord (Used with Built-in Charger)	1	
	66536-89A	Charger, Portable (100V - 50Hz) (Export)	1	
	66534-83A	Charger, Portable (36V - 60Hz)	1	
	66534-91	Charger, Portable (200V - 50Hz) (Export)	1	
	66536-85	Charger, Portable (230V - 50Hz) (Export)	1	
	66538-93	Charger, Portable (230V - 60Hz)	1	
	66544-00	Charger, Portable, 48V (120V - 60Hz)	1	
	66539-96MZ	Charger, Portable Global SCR (100-125V/200-250V, 50/60Hz)	1	
8	71408-96	Buzzer, Reverse (9-48 Volt)	1	
9	78011-97	Micro-Switch, (Speed Switch)	1	
10	70064-00	Harness, Regen (48V)	1	
11		Fuse, 25 Amp (Automotive Style)	1	
*	75033-91	Hour Meter (Optional)	1	
12	66035-87	Receptacle, AC Charger - Built-in	1	
13	66036-72	Receptacle, DC - Kit	1	
*	66853-90	Charge Meter Kit (Optional)	1	
*	74592-68	Breaker, Circuit 15 Amp (Needed for Accessory's)	1	
*	71807-80	Button, Horn	1	
*	69001-76A	Horn, 12 Volt	1	
18	70050-96	Harness, Wire, Solenoid (Gray Wire)	1	
20	70048-96	Harness, Auxillary Wiring, Solenoid (White and Orange Wires)	1	
21	69300-97	Motor, Complete - PM (3.2 Horsepower)	1	
22	71762-82A	Key Switch with Key	1	
	71730-01	Universal Keyswitch	1	
*	71766-82A	Key only	1	
*	66063-69B	Cord Set, DC, Portable (With Plug)	1	
23	66014-84	Battery, 6 Volt, Deep Cycle	8	
24	71511-87	Switch, Toggle (Tow)	1	
25	70059-00	Harness Main	1	
	70059-01	Harness, Main (Universal Key Switch)	1	
*	71414-87	Resistor, 750 Ohms	1	

* Not Pictured in Illustration

ELECTRICAL WIRING - P4G, G4S, FG, GU4, GUXB, GD4, C6G

COLOR CODE
 R - Red
 Y - Yellow
 OR - Orange
 BE - Blue
 BK - Black
 GY - Gray

All Unspecified Cables are Black



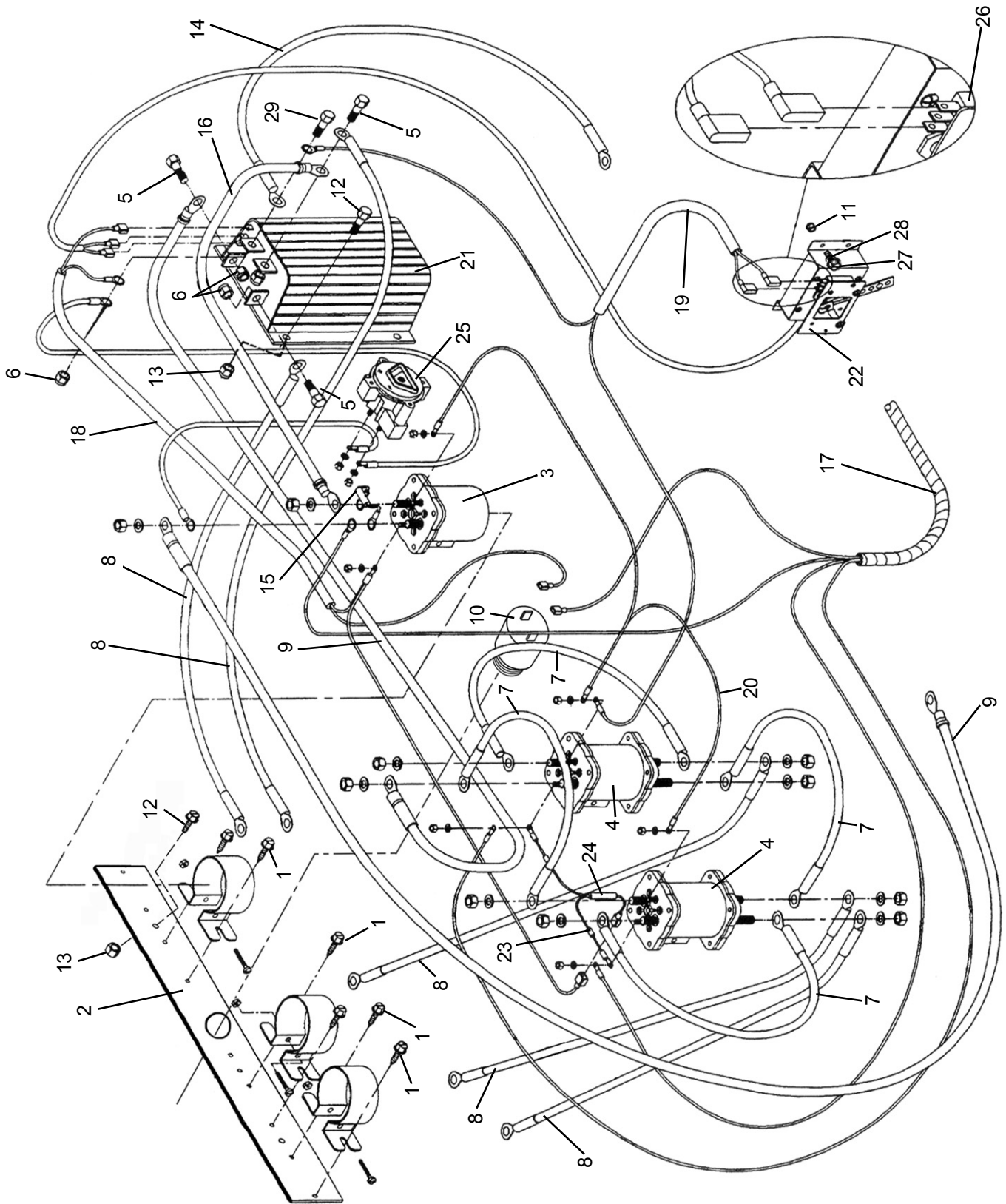
ELECTRICAL WIRING - P4G, G4S, FG, GU4, GUXB, GD4, C6G

ITEM NO.	PART NO.	DESCRIPTION	QTY.	Beginning V.I.N. to Ending V.I.N.
1	71762-96	Keyswitch with Key	1	8E-25100-D6 to _____
*	71766-96	Key only	1	8C-25001-D6 to 8C-25080
2	71408-96	Reverse Buzzer 9/48 VDC	1	8U-25001 to _____
3	30509-96	Armature, Magneto	1	8D-25001 to _____
4	71510-96	Microswitch Accelerator	1	8S-25001 to _____
5	30083-98	Starter Generator	1	8F-25001 to _____
6	70023-96	Sub Harness Wire - P4G and G4S	1	8X-25001 to _____
	70025-96	Sub Harness, All Extended Vehicles (9hp)	1	8Z-25100 to _____
	70028-98	Sub Harness, All Extended Vehicles (13hp)	1	9N-25001 to _____
7	70197-94	Cable, Positive Battery (Including Hyd Brakes)	1	9U-30000 to _____
8	70428-96	Cable, F1 to A2 (6 AWG, 9 3/4")	1	9X-10024 to _____
9	66090-88 **	12V Battery, Group 70 (360CCA or Greater)(9HP Engines)	1	9J-25101 to _____
	66009-98 **	12V Battery, Group 70 (720CCA or Greater)(13HP Engines)	1	9D-25001 to _____
10	70412-96	Ground Wire (16 AWG 15")	1	9H-21001 to _____
11	74510-96	Voltage Regulator Assy.	1	9S-27001 to _____
12	71470-87	Solenoid, 12V	1	
13	74592-68	Circuit Breaker	1	
14	71506-77	Microswitch (Fwd & Rev)	2	
	71512-00	Microswitch (00 and Newer)	2	
15	74886-67	Diode, Semi-Conductor	1	
16	70019-96A	Wire Harness, Main	1	
17	66028-92	Hold Down Rod	2	
18	66026-92	Battery Cross Piece (Gas)	1	
19	6703-B	Washer, Plain Blk 1/4	2	
20	7686	Locknut, Nylok 1/4-20	2	
21	3451	Screw, Hex 3/8-16x3/8"	2	

* Not Pictured in Illustration

** Wet, Sold as is Only, Pickup or Will Call **ONLY**

SOLENOID BANK, XP PLUS - P4E+, E4S+, FE+, C6E, C10E, ED4, EU4, EU4XB, EU2400, EU2400XB, 911E

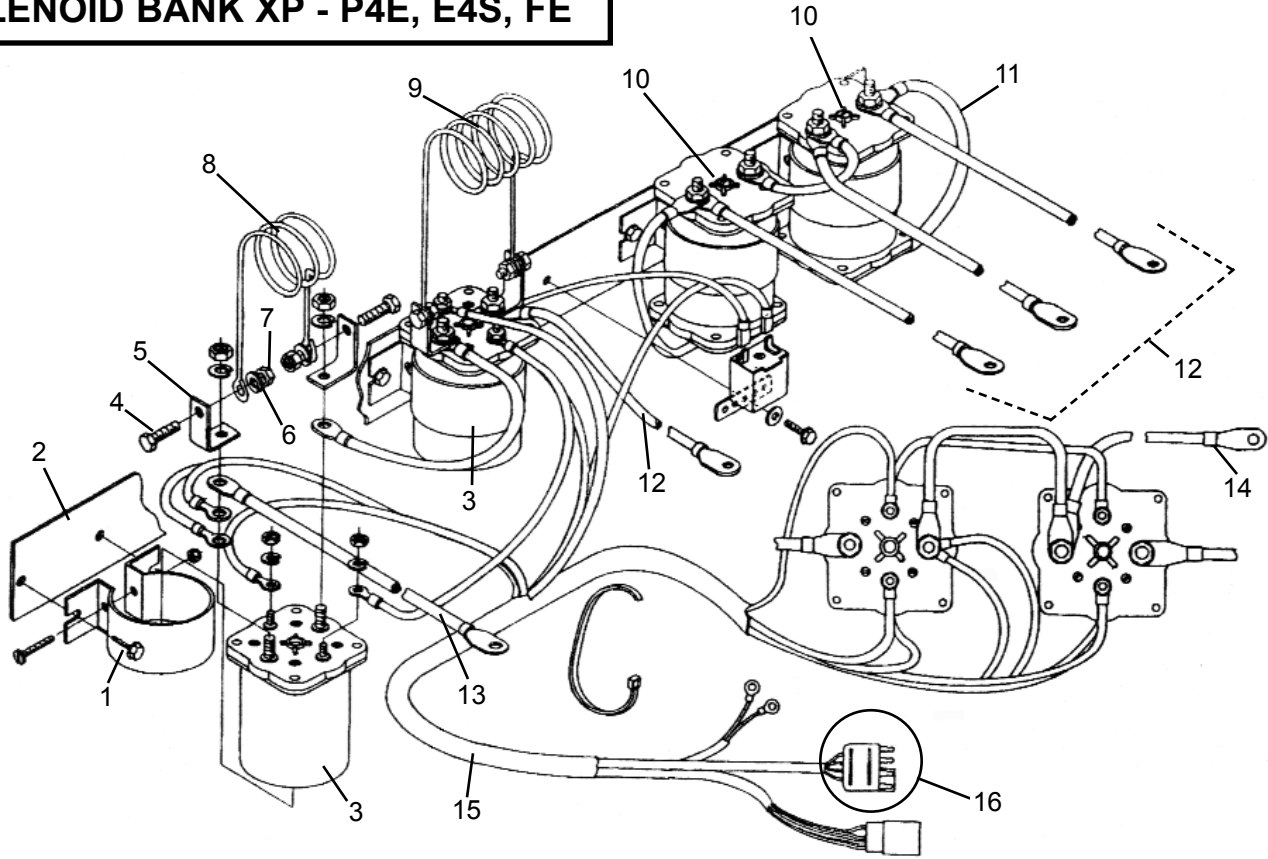


SOLENOID BANK, XP PLUS - P4E+, E4S+, FE+, C6E, C10E, ED4, EU4, EU4XB, EU2400, EU2400XB, 911E

ITEM NO.	PART NO.	DESCRIPTION	QTY.	Beginning V.I.N. to Ending V.I.N.
1	2685-W	Screw, 10-24x5/8" Self-tapping	12	<u>Before Main Harness change</u> 5E-27001-D7 to 5E-8407-D9
2	71021-85	Plate, Mounting	1	
	71023-96	Plate, Solenoid Mounting (FE+, C6E)	1	
3	71458-87	Solenoid, 4T 36 V	1	
	71456-99	Solenoid, 4T 48 V	1	
4	71459-87	Solenoid, 6T 36 V	2	
	71457-99	Solenoid, 6T 48 V	2	
5	3986	Screw, 5/16-18 x 1/2 HHCS	3	
6	7525	Locknut, 5/16-18 Hex Flange Whiz	4	
7	70445-90	Cable, Electric 6 GA.	4	
8	70448-90	Cable, Electric 6 GA.	5	
9	70105-88	Cable, 4 GA (P4E+, E4S+, EU4 ED4, EU2400)	2	
	70108-86	Cable, Electric (FE+, C6E, EUXB, EU2400XB, C10E, 911)	1	
10	71408-96	Reverse Buzzer Round (9 to 48V)	1	
	71409-90	Reverse Buzzer Rectangle (36V)	1	
11	7624	Locknut, Nylok 10-24	2/4	
12	3787-B	Bolt, 1/4-20x3/4"	6	
13	7724-B	Locknut Flange 1/4-20	6	
14	70446-90	Cable, Battery Negative (P4E+, E4S+)	1	
	70107-88	Cable, Battery Negative (EU4, ED4, EU2400, Power Master) (6GA)	1	
	70105-88	Cable, Battery Negative (Power Master) (4GA)	1	
15	70592-87	Resistor, Assembly	1	<u>After Main Harness change</u> 5E-30000-E0 to _____
16	70108-88	Cable, 4 GA.	1	
17	70047-96	Harness, Main (P4E+, E4S+, ED4, EU4 EU2400) (96 to 99)	1	
	70051-96	Harness, Main (EUXB, EU2400XB, C6E, FE+, C10E, 911) (1996 to 1999)	1	
	70059-00	Harnes, Main (2000-P4 and Newer Vehicles) (Incl. #19) See VIN Chart to Right	1	
	70060-00	Harnes, Main (2000-XB and Newer Vehicles) (Incl #19) See VIN Chart to Right	1	
18	70048-96	Wire Harness, Solenoid Switch	1	
19	70049-96	Wire Harness, Pot Box	1	
20	70050-96	Wire Harness, Solenoid	1	
21	74883-87	Module, Speed Controller (36 V)	1	
	74889-99	Module, Speed Controller (48 V)	1	
	74891-96	Module, Speed Controller (36 V, 400 Amp)	Option	
	74883-87RC	Reconditioned Speed Controller (36 V,275 Amp)	Option	
	74891-96RC	Reconditioned Speed Controller (36 V, 400 Amp)	Option	
22	74882-97	Speed Switch (Pot Box) (Plastic Case)	1	
	74882-87	Speed Switch (Pot Box) (Metal Case)	1	
	70061-00	Speed Switch (Pot Box) (12 in. Leads (Plastic Case) See VIN Chart to Right	1	
23	74886-87	Diode, Assy. (With Connectors)	1	
24	74886-67	Diode, Semi-Conductor (Only)	1	
25	66036-72	Receptacle, D.C. (With Mounting Hardware)	1	
26	78011-97	Micro-Switch, (Speed Switch)	1	
27	2339	Screw	4/2	
28	6716	Washer, Plain Type A	4/2	
29	3987-BS	Screw,Hex Cap 5/16-18x3/4"	1	

* Not Pictured in Illustration

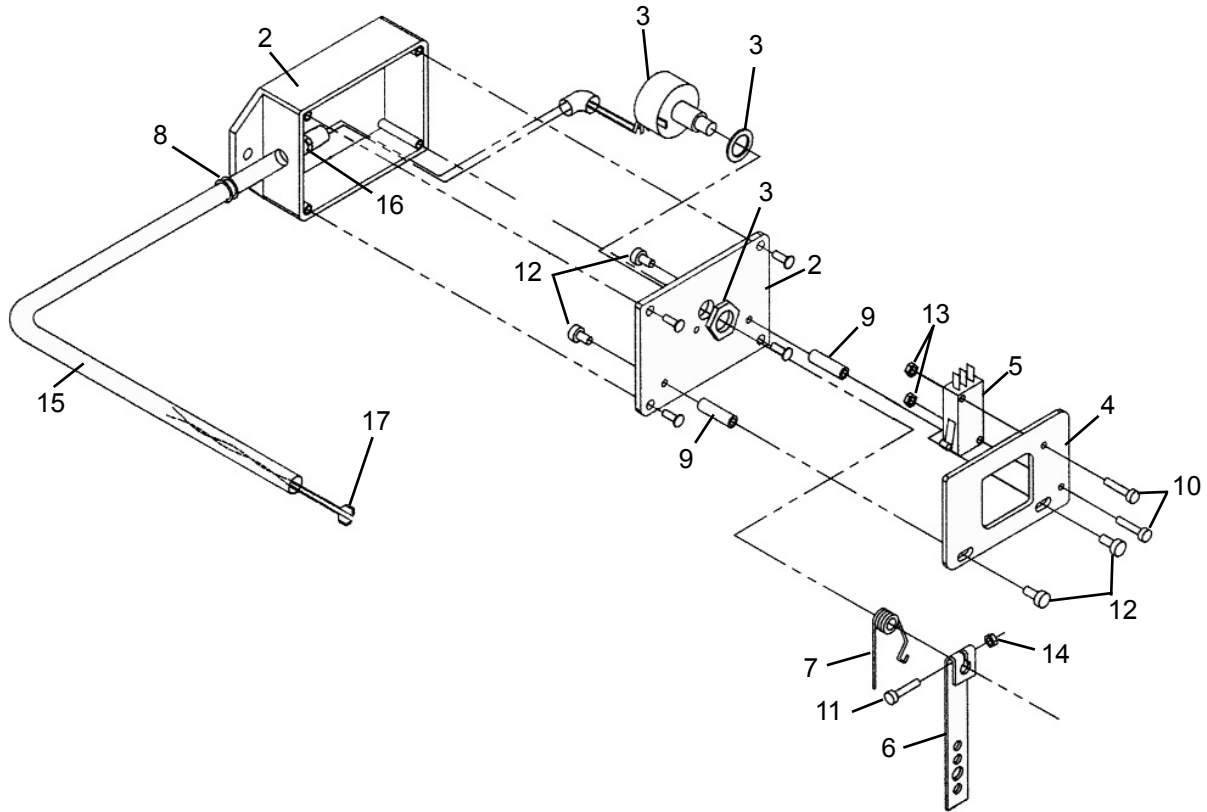
SOLENOID BANK XP - P4E, E4S, FE



ITEM NO.	PART NO.	DESCRIPTION	QTY.	Beginning V.I.N. to Ending V.I.N.
1	2685-W	Screw, Hex Cap Self Tapping 10-24x5/8"	1	
2	71021-85	Plate, Mounting	1	4E-25001-D6 to 4E-28133-D8
3	71458-87	Solenoid, 4T 36V	2	4C-25001-D6 to 4C-25037
4	2882-W	Bolt, Hex 5/16-18x5/8"	4	4F-25100 to 4F-25112
5	71771-87	Bracket, Resistor	4	
6	7041-B	Lockwasher, Reg Blk 5/16	4	
7	7748-B	Nut, Hex Cap 5/16-18	4	
8	71406-85	Resistor, .08 OHM	1	
9	71407-85	Resistor, .16 OHM	1	
10	71459-87	Solenoid, 6T 36V	2	
11	70496-86	Cable, Solenoid - 4 GA, 7 3/8"	5	
12	70448-90	Cable, 6 GA	4	
13	70447-90	Cable, Battery 6 GA, 14"	1	
	70107-89	Cable, Battery 4 GA, 56" (FE)	1	
14	70446-90	Cable Battery 6 GA, 20" (P4E, E4S)	1	
15	70646-94	Harness, Wiring (P4E, E4S)	1	
	70047-96	Harness, Wiring (FE)	1	
16	70027-95	Plug, Harness - Repair Kit	1	

* Not Pictured in Illustration

SPEED SWITCH ASSY., XP PLUS

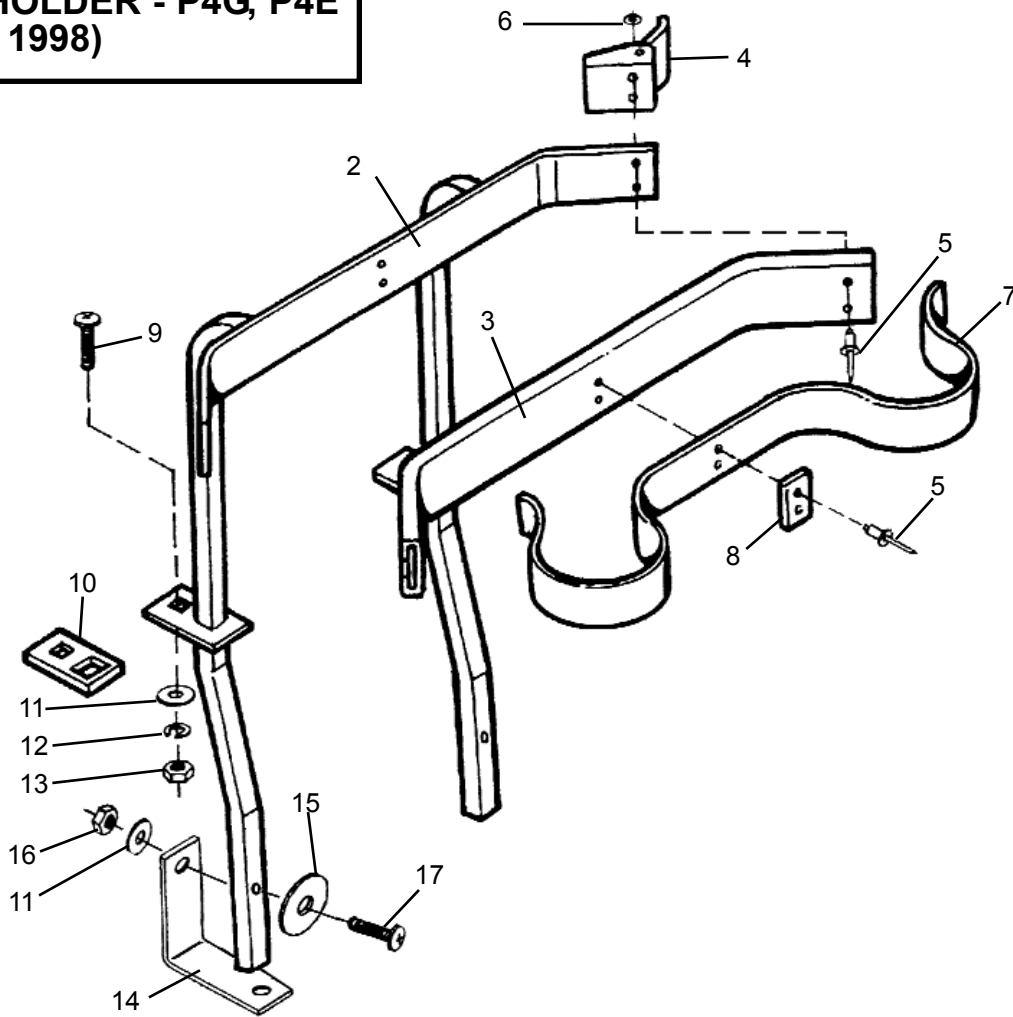


1

ITEM NO.	PART NO.	DESCRIPTION	QTY.	Beginning V.I.N. to Ending V.I.N.
1	74882-87	Speed Switch (Pot Box) (Metal Case)	1	5E-11003-E0 to _____
	74882-97	Speed Switch (Pot Box) (Plastic Case)	1	5F-25100 to _____
	70061-00	Speed Switch (Pot Box) (1 ft. Leads, Plastic Case)	1	4F-25100 to _____
2	74812-97	Enclosure, Speed Switch(Plastic)	1	4U-25001 to _____
3	74814-97	5K Potentiometer (With Nut and Washer)	1	4J-27001 to _____
4	50379-97	Plate, Microswitch	1	4X-25001 to _____
5	78011-97	Microswitch	1	4N-25001 to _____
6	74813-97	Arm, Pot Switch	1	4D-25001 to _____
7	47828-97	Spring, Pot Switch Arm	1	4S-25001 to _____
8	11410	Grommet, Rubber	1	4H-25100 to _____
9	33618-97	Spacer	2	4Z-00001 to _____
10	2642	Screw, #4 x 5/8"	2	5FD-30005 to _____
11	2646	Screw, #6 x 5/8"	1	4DD-30000 to _____
12	2511	Screw, #8-32x3/8	4	4SD-30000 to _____
13	7523	Locknut, #4	2	4HD-30000 to _____
14	7522	Locknut, #6	1	4UD-30000 to _____
15	74900-98	Cable Kit, Pot Box (4 ft Leads)	1	4XD-30000 to _____
	74900-00	Cable Kit, Pot Box (1 ft Leads)	1	5EE-11000-E0 to _____
16	10011	Cable Tie	1	5ED-11000-E0 to _____
17	9907	Terminal, 16 GA	2	

* Not Pictured in Illustration

**GOLF BAG HOLDER - P4G, P4E
(1996 - Early 1998)**

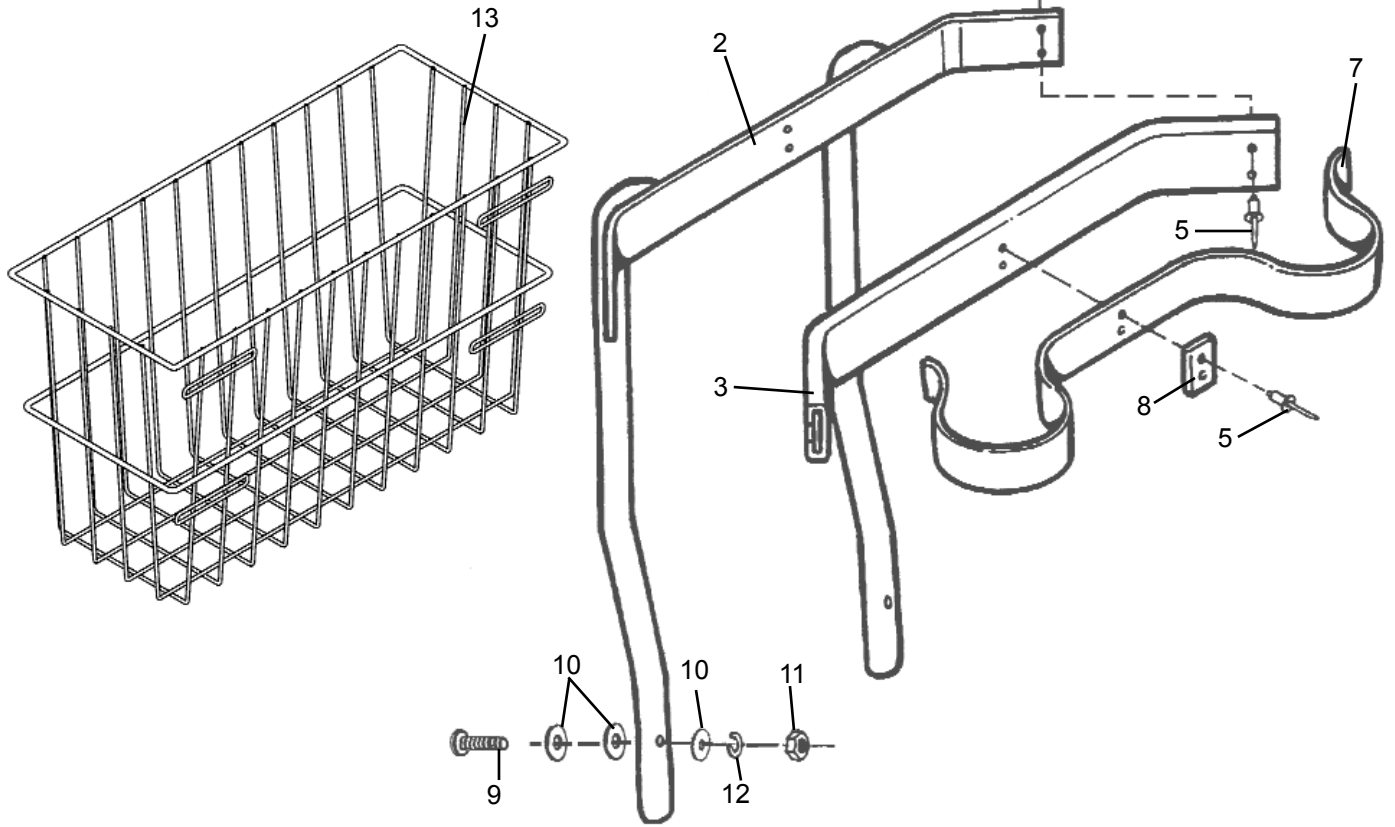


1

ITEM NO.	PART NO.	DESCRIPTION	QTY.	Beginning V.I.N. to Ending V.I.N.
1	53402-89A	Cradle Assy., Bag Holder (Incl. Items 2-8)	1	8E-25100-D6 to 8E-28193-D8 4E-25001-D6 to 4E-28131-D8 5E-27001-D7 to 5E-28126-D8
2	53403-89A	Weldment, Bag Holder (Square Tubes)	1	
3	53474-92	Trim, Bag Cradle	1	
4	53472-84	Buckle, Bag Holder	2	
5	8675-B	Rivet, Pop 3/16x1/2"	6	
6	6716	Washer, #10 Plain	4	
7	53473-88	Strap, Bag Holder	1	
8	53475-88	Spacer, Plastic	1	
9	5206-BS	Screw, 5/16-18 x 1"	2	
10	53405-89	Pad, Bag Holder	2	
11	31067-63	Washer, Fender	2	
12	7041-B	Lockwasher, 5/16", Split	2	
13	7748-B	Nut, Hex Cap 5/16-18	2	
14	51504-89	Bracket, Bag Holder	2	
15	89470-74	Rubber Washer	2	
16	7525	Locknut, Flange 5/16-18	2	
17	5206-BS	Screw, Pan-Head 5/16-18x1"	2	

* Not Pictured in Illustration

**GOLF BAG HOLDER - P4G, P4E
(Early 1998 - 2000)**

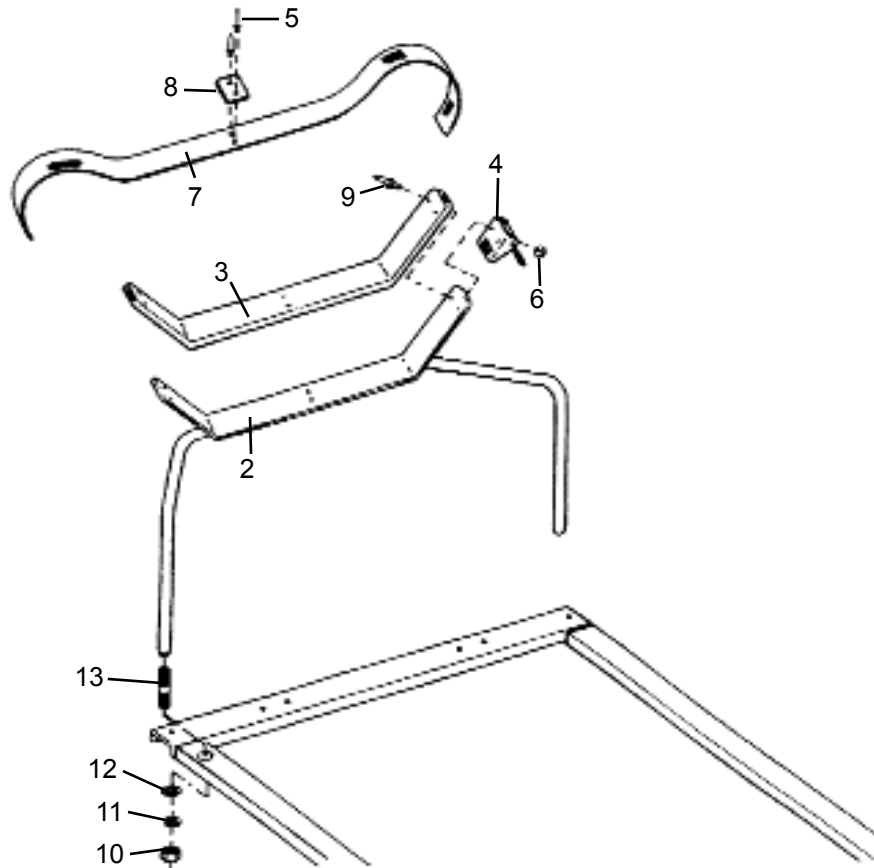


1

ITEM NO.	PART NO.	DESCRIPTION	QTY.	Beginning V.I.N. to Ending V.I.N.
1	53417-98	Cradle Assy., Bag Holder (Incl. Items 2 - 8)	1	8E-28194-D8 to _____
2	53403-98	Holder, Bag	1	4E-28132-D8 to _____
3	53474-92	Trim, Bag Cradle	1	5E-28127-D8 to _____
4	53472-84	Buckle, Bag Holder	2	3E-28165-D8 to _____
5	8675-B	Rivet, .187 Dia., x .50", Pop	6	5EE-11000-E0 to _____
6	6716	Washer, #10 Plain	4	5ED-11000-E0 to _____
7	53473-88	Strap, Bag Holder	1	
8	53475-88	Spacer, Plastic	1	
9	5207-BS	Screw, 5/16-18 x 2", Pan Head	3	
*	5208-BS	Screw, 5/16-18 x 2 1/2", Pan Head (Used where limit cable connects)	1	
10	6000-B	Washer, Blk 5/16	12	
11	7748-B	Nut, 5/16-18	4	
12	7041-B	Lockwasher 5/16	4	
*	11430	Grommet, Body	2	
13	92500-89B	Basket, Sweater	1	
<u>Sweater Basket Mounting Hardware</u>				
*	2010-B	Screw, 1/4-20x1 1/2"	4	
*	6703-B	Washer, Plain	8	
*	7692	Locknut, Nylok 1/4-20	4	

* Not Pictured in Illustration

GOLF BAG HOLDER - G4S, E4S

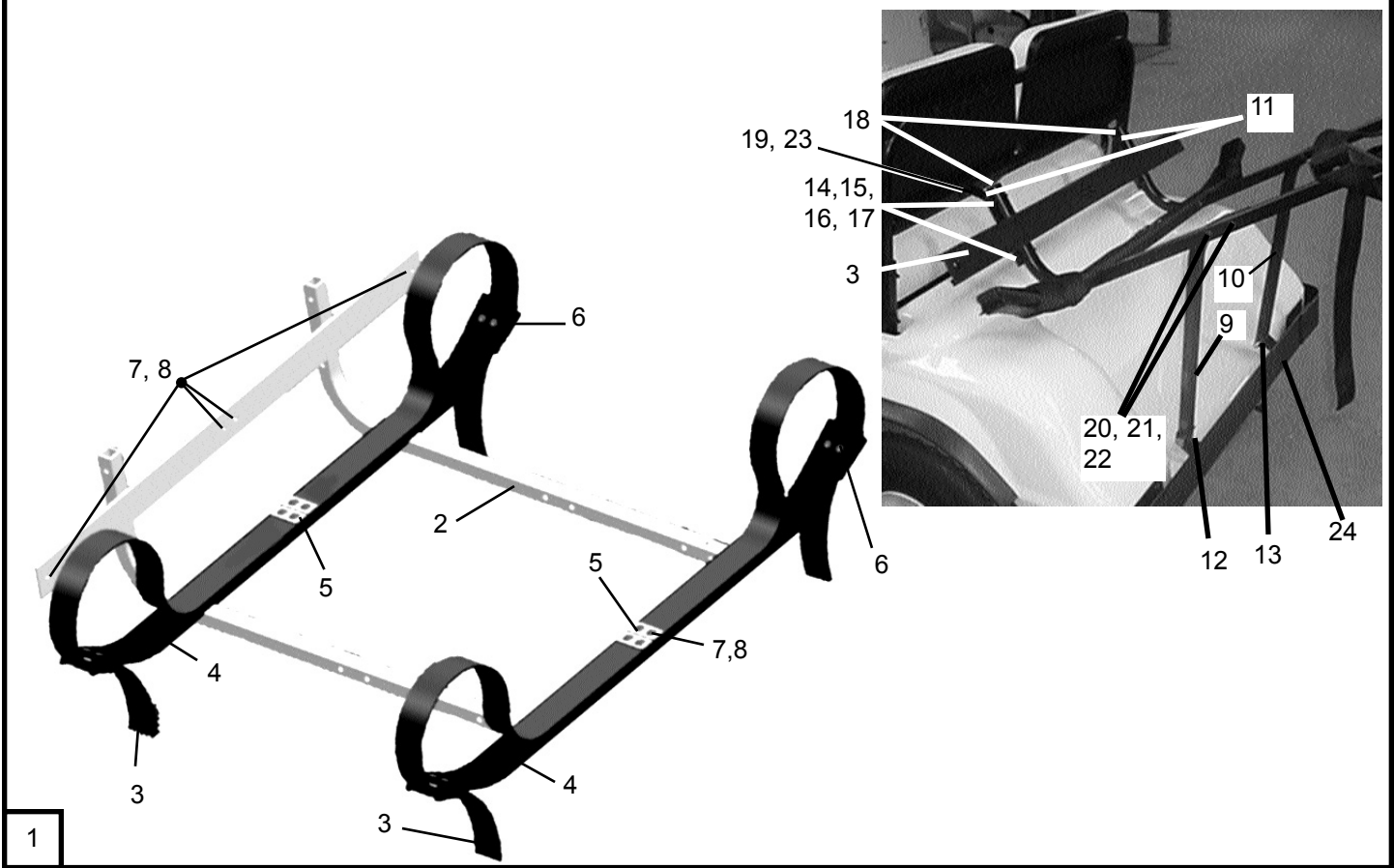


1

ITEM NO.	PART NO.	DESCRIPTION	QTY.	Beginning V.I.N. to Ending V.I.N.
1	53406-89	Assy., Bag Holder (Incl. Items 2 - 9)	1	
2	53481-89A	Holder, Bag	1	8C-25001-D6 to 8C-25080
3	53474-92	Trim, Bag Holder	1	4C-25001-D6 to 4C-25037
4	53472-84	Buckle, Bag Holder	2	5C-25001 to 5C-25016
5	8675-B	Rivet, Pop 3/16x 1/2"	2	
6	6716	Washer, Plain #10	4	
7	53473-88	Strap, Bag Holder	1	
8	53475-88	Plate Retainer	1	
9	8480	Rivet, Pop 3/16x3/8"	4	
10	7753	Nut, Hex Cap 5/16-24	2	
11	7041-B	Lockwasher, Split	2	
12	6702-B	Washer, Plain Blk 11/32	2	
13	61605-36	Stud	2	

* Not Pictured in Illustration

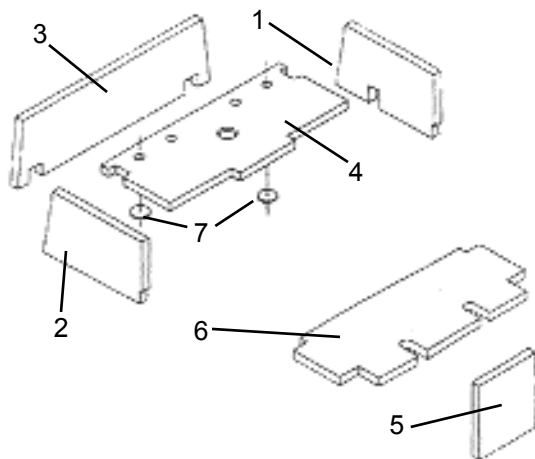
BAG RACK, ANGLED - FE, FG (Optional P4E, P4G)



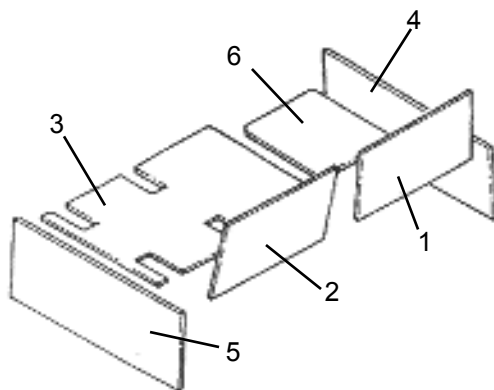
ITEM NO.	PART NO.	DESCRIPTION	QTY.	Beginning V.I.N. to Ending V.I.N.
1	53429-96	Bag Rack (4 Bag Complete)(Incl. Items 2 - 8)	1	4F-25001 to _____
2	53416-96	Rack, Four (4) Bag	1	5F-25100 to _____
3	53473-96	Strap, Four (4) Bag Rack	2	8F-25001 to _____
4	53474-96	Extrusion	3	3F-25100 to _____
5	53475-88	Spacer	4	
6	53472-84	Buckle, Bag Rack	4	
7	8675-B	Rivet, Pop 3/16x 1/2"	20	
8	6716	Washer, Plain #10	20	
9	53419-96	Left Support (FE, FG)	1	
	53418-96	Left Support (P4E, P4G)	1	
10	53427-96	Right Support (FE, FG)	1	
	53428-96	Right Support (P4E, P4G)	1	
11	53420-96	Bracket, Support (FE, FG)	2	
	53422-96	Bracket, Support (P4E, P4G)	2	
12	3407	Screw, Hex Cap 1/2-13x2 1/4"	2	
13	7685	Locknut, Nylok 1/2-13	2	
14	3454-BS	Bolt, Blk 1/4-20x1 3/4"	2	
15	6703-B	Washer, Plain	2	
16	7036-B	Lockwasher 1/4"	2	
17	7688-B	Nut 1/4-20	2	
18	11432	Plug, Finish	4	
19	3549-BS	Screw, Hex 5/16-18x3/4	2	
20	7041-B	Lock washer 5/16	8	
21	7748-B	Nut 5/16-18	8	
22	5208-B	Screw, Pan Head 5/16-18x2 1/2"	4	
23	7525	Locknut, Flange 5/16-18	8	
24	91014-96	Bumper, Bracket	1	

* Not Pictured in Illustration

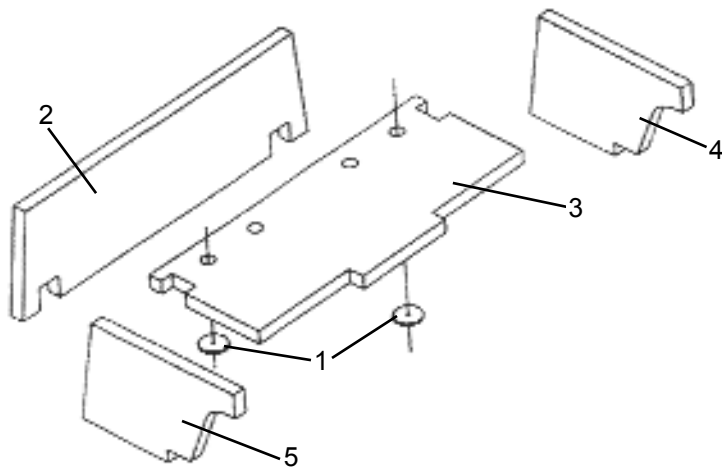
REAR BODY SOUND PACKAGE P4G, FG



REAR BODY SOUND PACKAGE - G4S



REAR BODY SOUND PACKAGE - C6G



REAR BODY SOUND PACKAGE - P4G

ITEM NO.	PART NO.	DESCRIPTION	QTY.	Beginning V.I.N. to Ending V.I.N.
1	23204-92	Sound Pad, Mid-Body Right	1	8E-25100-D6 to _____
2	23205-92	Sound Pad, Mid-Body Left	1	8F-25001 to _____
3	23206-92	Sound Pad, Front	1	9F-25200 to _____
4	23207-92	Sound Pad, Front Top	1	
5	23208-92	Sound Pad, Center Rear (Not used on FG)	1	
6	23209-92	Sound Pad, Rear Top (Not used on FG)	1	
7	6016	Washer, Sound Package	2	

* Not Pictured in Illustration

REAR BODY SOUND PACKAGE - G4S

ITEM NO.	PART NO.	DESCRIPTION	QTY.	Beginning V.I.N. to Ending V.I.N.
1	23215-90	Sound Pad, Bagwell Right	1	8C-25100-D6 to 8C-25080
2	23216-90	Sound Pad, Bagwell Left	1	
3	23217-90	Sound Pad, Seat Bottom	1	
4	23218-90	Sound Pad, Right Body	1	
5	23219-90	Sound Pad, Left Body	1	
6	23222-90	Sound Pad, Bottom Seat Cushion	1	

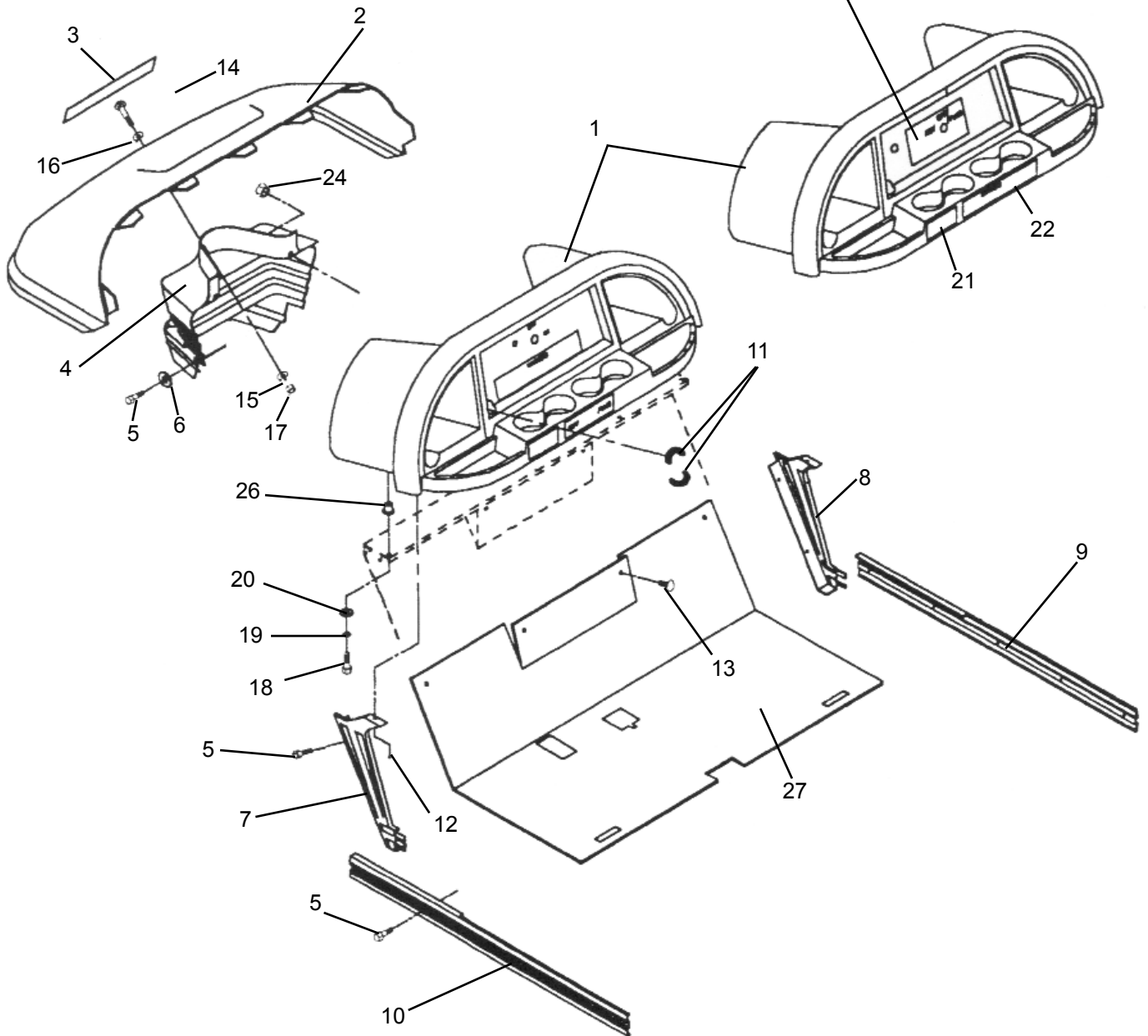
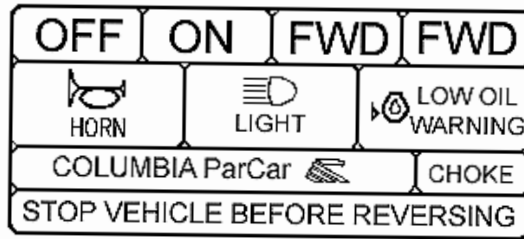
* Not Pictured in Illustration

REAR BODY SOUND PACKAGE - C6G

ITEM NO.	PART NO.	DESCRIPTION	QTY.	Beginning V.I.N. to Ending V.I.N.
1	6016	Washer, Sound Package	2	8S-25100 to _____
2	23206-92	Sound Pad, Front	1	9S-10001 to _____
3	23207-92	Sound Pad, Front Top	1	
4	23233-92	Sound Pad, Mid-Body Right	1	
5	23234-92	Sound Pad, Mid-Body Left	1	

* Not Pictured in Illustration

FRONT CONSOLE

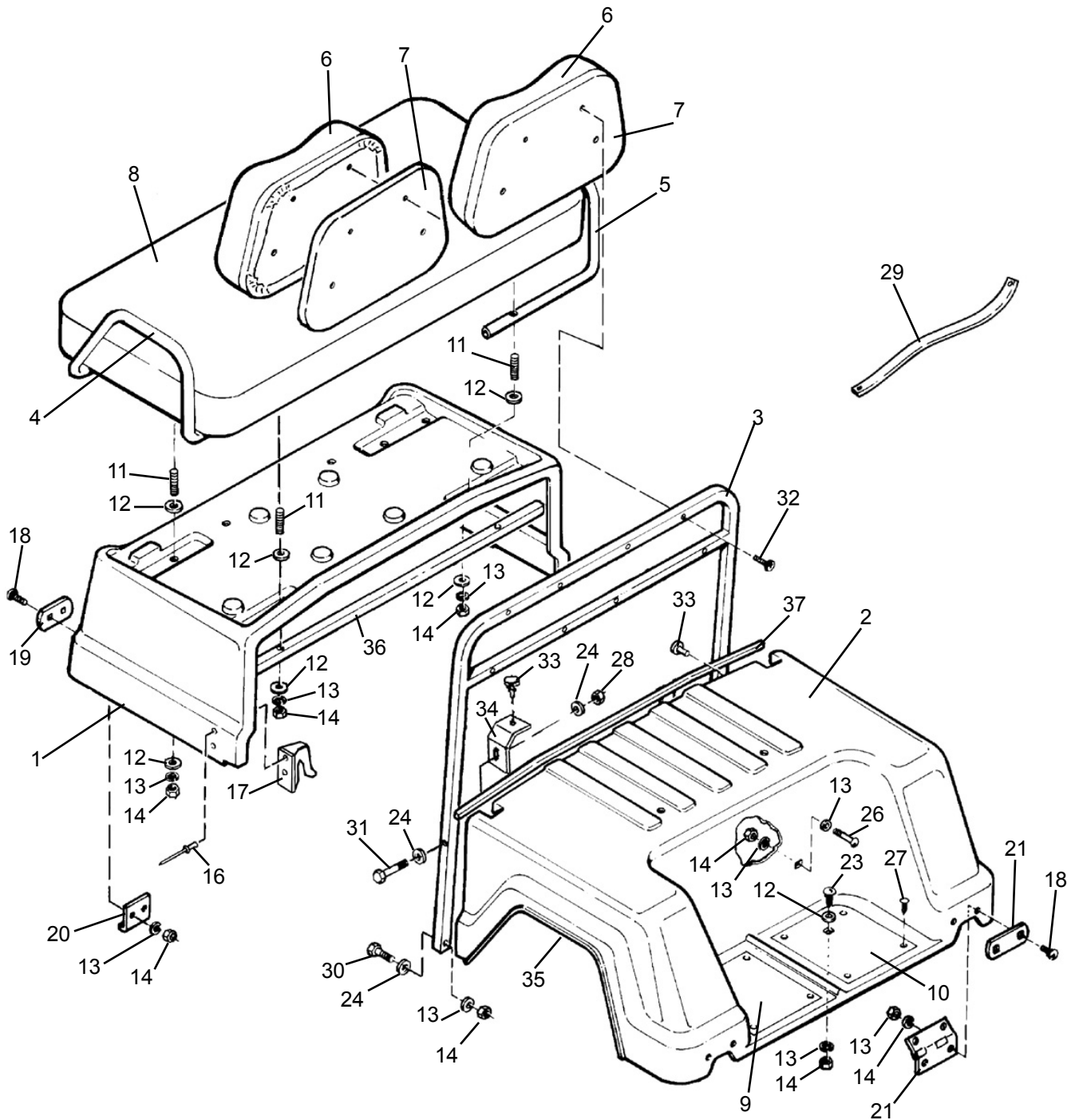


FRONT CONSOLE

ITEM NO.	PART NO.	DESCRIPTION	QTY.	Beginning V.I.N. to Ending V.I.N.
1	50197-96	Front Console	1	
2	50210-96	Front Body	1	8E-25100-D6 to _____
3	53000-89B	ParCar Nameplate (All Golf Vehicles)	1	4E-25001-D6 to _____
	84205-92A	Columbia Nameplate (All Industrial/Commercial Vehicles)	1	5E-27001-D7 to _____
4	91059-96	Front Cover - Bumper	1	4E-21842-D8 to _____
5	2653-B	Screw #10 x 3/4", TEK	A.R.	8C-25001-D6 to 8C-25080
6	6912-B	Washer #8 Type A Black Zinc	6	4C-25001-D6 to 4C-25037
7	50087-96	Left Side Panel	1	5C-25001 to 5C-25016
8	50088-96	Right Side Panel	1	8U-25001 to _____
9	50254-91	Trim, Floorboard, Right, E4S, E4S+, G4S	1	4U-25001 to _____
	50316-91A	Trim, Floorboard, Right, P4E, P4G	1	9U-30000 to _____
	50452-92	Trim, Floorboard, Right, EU4, ED4, GU4, GD4	1	8D-25001 to _____
	50456-92	Trim, Floorboard, Right C6E, C6G FG, FE, FE+	1	4D-25001 to _____
10	50255-91	Trim, Floorboard, Left, E4S, E4S+, G4S	1	9D-25001 to _____
	50315-91A	Trim, Floorboard, Left, P4E, P4E+, P4G	1	8S-25001 to _____
	50451-92	Trim, Floorboard, Left, EU4, ED4, GU4, GD4	1	4S-25001 to _____
	50455-92	Trim, Floorboard, Left, C6E, C6G, FG, FE, FE+	1	9S-10001 to _____
11	11418-A	Grommet	1/2	3S-25100 to _____
12	1787	Screw, Hi - Lo Fastener	2	4H-25100 to _____
13	8200	Push Fastener 1/4X3/4"	2	9F-25002 to _____
14	2551-W	Screw, Hex Cap 1/4-20x 1"	1	3F-25100 to _____
15	6703-B	Washer, Plain Type A	1	8X-25001 to _____
16	37084-41	Washer, Spring	1	4X-25001 to _____
17	7686	Locknut, Nylok 1/4-20	1	9X-10028 to _____
18	2602	Screw, Phillips Head 1/4x20x1 1/4"	4	4J-27001 to _____
19	7036-B	Lockwasher, 1/4	4	9J-22501 to _____
20	6703-B	Washer, Flat	4	4N-25001 to _____
21	53278-96	Operating Inst.- All Gasoline	1	9N-25001 to _____
	53258-96	Operating Inst.- All Electric	1	8Z-00001 to _____
22	53288-96	Warning Label - Golf Car (2 Passenger), P4G, P4E, P4E+, E4S, E4S+, G4S	1	4Z-00001 to _____
	53290-96	Warning Label - C6G, C6E, FG, FE, FE+	1	5FD-30005 to _____
	53292-96	Warning Label - C10E	1	4DD-30000 to _____
	53294-96	Warning Label - EU2400XB	1	4SD-30000 to _____
	53296-96	Warning Label - EU4, EU4XB	1	4HD-30000 to _____
	53298-96	Warning Label - GU4, GU4XB	1	3ED-30000 to _____
23	53281-96	Cluster Label - All Vehicles	1	4UD-30000 to _____
24	7880	Nut 1/2 - 13 Hex	2	4XD-30000 to _____
*	10043	Strap, 10 lg Cable Plastic (Tye-Wrap)	1	5EE-11000-E0 to _____
26	50190-86	Jacknut 1/4 - 20 (Molly)	4	5ED-11000-E0 to _____
27	50705-89	Floormat (Classic and Eagle)	1	
	50706-92	Floormat (Utilitruck and Shuttle)	1	
	50708-94	Floormat, Rear (C6E, C6G, FE, FG 911E, 911G)	1	

* Not Pictured in Illustration

CLAM SHELLSM BODY, SEATS, HANDRAILS - P4G, P4E

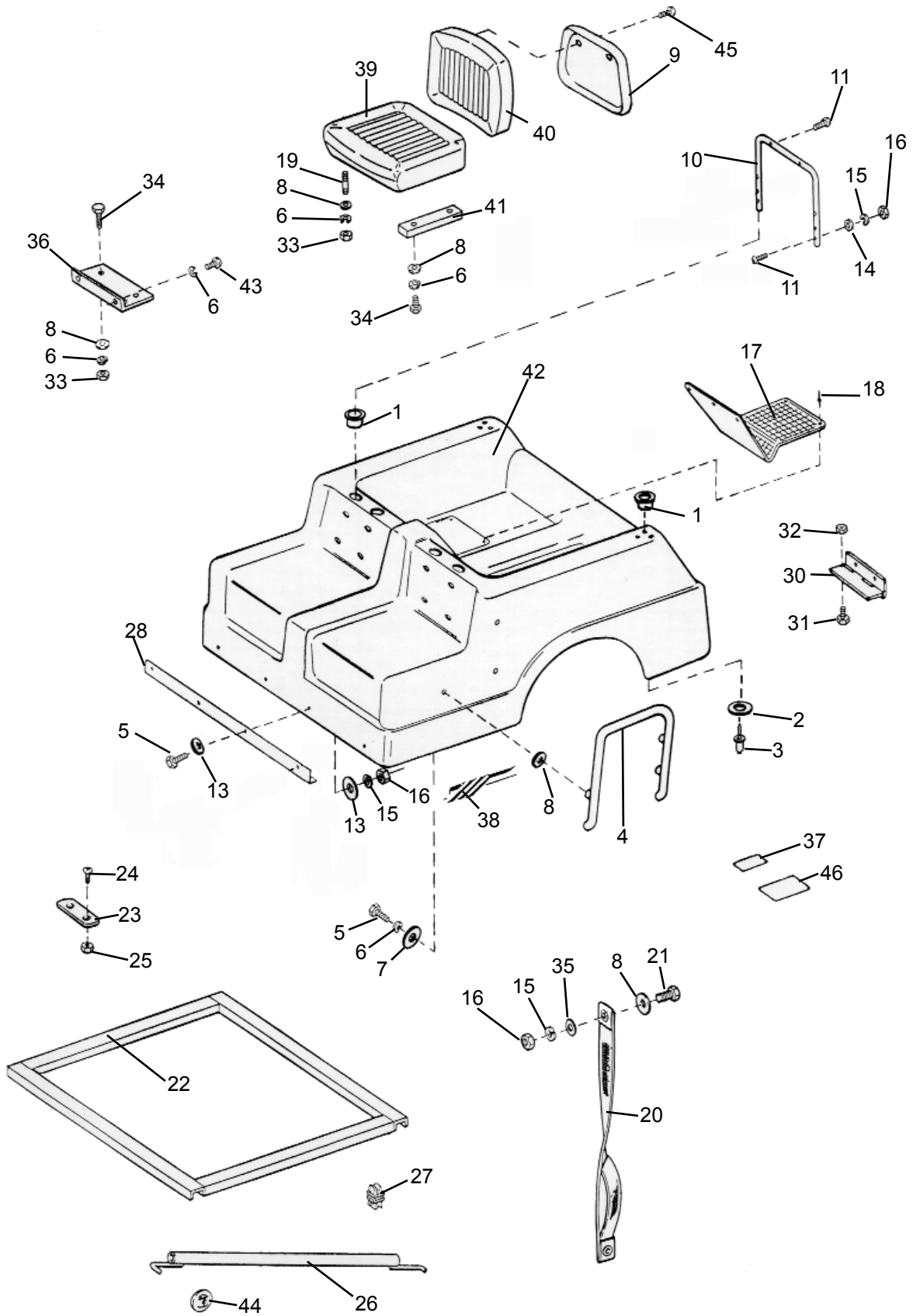


CLAM SHELLSM BODY, SEATS, HANDRAILS - P4G, P4E

ITEM NO.	PART NO.	DESCRIPTION	QTY.	Beginning V.I.N. to Ending V.I.N.
1	50183-91	Body, Mid, Universal	1	8E-25100-D6 to _____
2	50182-89	Body, Rear, Universal	1	5E-27001-D7 to _____
3	51501-96	Seat, Back Frame	1	4E-25001-D6 to _____
	51501-98	Frame, Seat Back (Vehicles mfg after 31 May 2000)	1	3E-21842-D8 to _____
4	84922-00	Handrail, Left	1	5EE-11000-E0 to _____
5	84923-00	Handrail, Right	1	5ED-11000-E0 to _____
6	52001-96	Cushion, Back	2	
7	52948-96	Cover, Seat Back	2	
8	52004-96	Seat, Bench	1	
*	52012-93	Cover, Bench Seat, Replacement	1	
9	50201-00	Bagmat, Left	1	
10	50202-00	Bagmat, Right	1	
11	52109-87	Stud, 5/16-18 x 2 1/4"	4	
12	6000-B	Washer, W-Plain, 5/16"	15	
13	7041-B	Lockwasher, 5/16	15	
14	7525	Locknut, Flange 5/16-18	20	
15	2667	Screw, Hex Cap 5/16-18 x 2"	2	
16	8698	Rivet, Pop .198 Dia. x 1/4"	8	
17	50308-91	Guide, Side Body	4	
18	5400-BS	Bolt, Carriage 5/16-18 x 1"	8	
19	50203-89	Doubler, Front	2	
20	50271-89	Hinge, Front	2	
21	50204-89	Doubler, Rear Hinge	2	
22	50271-65	Hinge, Rear Body	2	
23	5206-BS	Screw, Pan Head 5/16-18 x 1" (Pre 98)	2	
24	6702-B	Washer, N-Plain 5/16"	10	
*	5208-B	Screw, Pan Head 5/16-18 x 2 1/2" (Used to attach Golf Bag Holder & Limit Cable)	1	
26	5207-BS	Screw, Pan Head 5/16-18 x 2" (Used to attach Golf Bag Holder)	1	
27	8200	Fastener, Push 1/4x3/4"	8	
28	7740-BS	Locknut, Hex Cap 5/16-18	4	
*	40819-91	Limit Cable, Rear Body	1	
29	50334-89	Strap, Mid-Body Limiter (P4E, P4G)	1	
30	4086	Screw, Hex Cap 5/16-18 x 3"	2	
31	3419	Screw, Hex Cap 5/16-18 x 2 1/4"	2	
32	2001-BS	Screw, Oval Head 1/4-20 x 2"	8	
33	11402	Plug, Bumper - Rubber	4	
34	47055-89A	Bracket, Rear Body	2	
35	59623-71A	Splash Guard	2	
*	8200	Fasteners, Splash Guard	10	
36	51503-89	Support, Front Body Seat	1	
37	12301	Seal, Body	1	
*	59607-64A	Kit, Splash Guard with Fasteners	1	
*	50209-89A	Guard, Fender LH	1	
*	50210-89A	Guard, Fender RH	1	

* Not Pictured in Illustration

REAR BODY, SEATS, HANDRAILS - G4S, E4S, E4S+



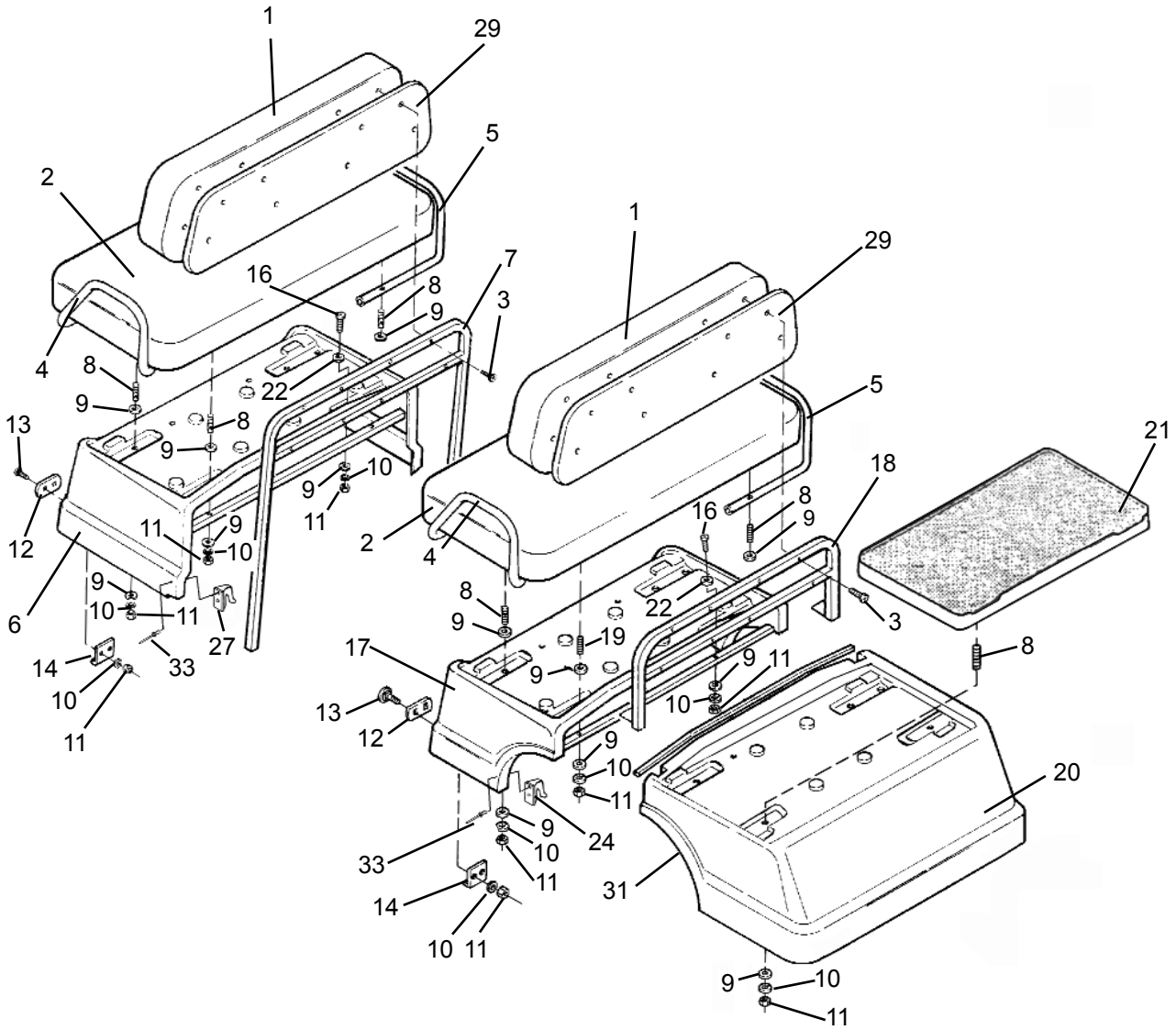
REAR BODY, SEATS, HANDRAILS - G4S, E4S, E4S+

Beginning V.I.N. to Ending V.I.N.

ITEM NO.	PART NO.	DESCRIPTION	QTY.	
1	11417-A	Grommet	6	8C-25001-D6 to 8C-25080
2	53547-82	Reinforcement Ring, Bag Rack	2	4C-25001-D6 to 4C-25037
3	8321	Rivet, Pop 1/8x1/2"	6	5C-25001 to 5C-25016
4	52631-88A	Handrail, Left	1	
*	52630-88A	Handrail, Right	1	
5	2369	Screw, Self-Tapping 5/16x1"	6	
6	7041-B	Lockwasher, 5/16	12 Gas, 12 Elec.	
7	6801	Washer, Fender	6	
8	6000-B	Washer, Plain Blk 5/16	16 Gas, 18 Elec.	
9	52948-96	Cover, Seat Back	2	
10	52935-96A	Frame, Seat Back	2	
11	2001-BS	Screw, Oval Head 1/4-20x2"	10	
12	47487-90	Strap, Seat	4	
13	6257-W	Washer, Fender 1/4"	20	
14	6703-B	Washer, Plain 1/4"	15	
15	7036-B	Lockwasher, Split 1/4"	17	
16	7688-B	Nut, Hex Cap 1/4-20	13	
17	50278-67B	Mat, Bagwell Right	1	
*	50279-67-B	Mat, Bagwell Left	1	
18	8692	Rivet, Pop 5/32x1/4"	10	
19	52109-87	Stud 5/16-18x2 1/4"	4	
20	50334-85	Strap, Body Limit	1	
21	3787-B	Screw, Hex Cap 1/4-20x3/4"	2 Gas, 4 Elec.	
22	50332-90	Reinforcement Weldment, Body	1	
23	53491-65	Plate, Reinforcement	2	
24	1357-W	Screw, Oval Head 1/4-20x1"	4	
25	7742	Locknut, Three-way Crown 1/4-20	4	
26	50336-90A	Rod, Prop	1	
27	50337-85	Clip, Prop Rod	1	
28	50352-88A	Assy., Body Support	1	
29	2420	Screw, Pan Head 1/4-20x3/4"	4	
30	50271-65	Hinge, Body	2	
31	4391	Screw, Hex Cap 5/16-24x5/8"	4	
32	7727	Locknut, Hex Nylok 5/16-24	4	
33	7748-W	Nut, Hex Cap 5/16-18	2 Gas, 4 Elec.	
34	2818	Screw, Hex Cap 5/19-18c1 1/2"	4 Gas, 8 Elec.	
35	6702-B	Washer, Plain Blk Zinc 11/32	4 Gas, 8 Elec.	
36	52944-87	Hinge, Seat Bottom	1 Gas, 2 Elec.	
37	50225-85	Label, Caution Prop Rod	1	
38	61255-84	Decal, Eagle- Blue Right Side	1	
*	61256-84	Decal, Eagle- Blue Left Side	1	
*	61257-84	Decal, Eagle- Black Right Side	1	
*	61258-84	Decal, Eagle- Black Left Side	1	
39	52945-88	Cushion, Bottom	2	
40	52001-96	Cushion, Seat Back	2	
41	52937-86	Spacer, Bottom Cushion	4 Gas, 4 Elec.	
42	50321-90	Body, Golf Car - G4S	1	
*	50322-90	Body, Golf Car - E4S	1	
43	3987-BS	Screw, Hex Cap 5/16-18x3/4"	6	
44	8144	Nut Push	1	
*	50333-85B	Bracket, Body Prop Rod	1	
45	2272	Screw, #10x3/4"	4	
46	52083-87	Label, Brake Adjustment	1	

* Not Pictured in Illustration

REAR BODY, SEATS, HANDRAILS - C6E, C6G

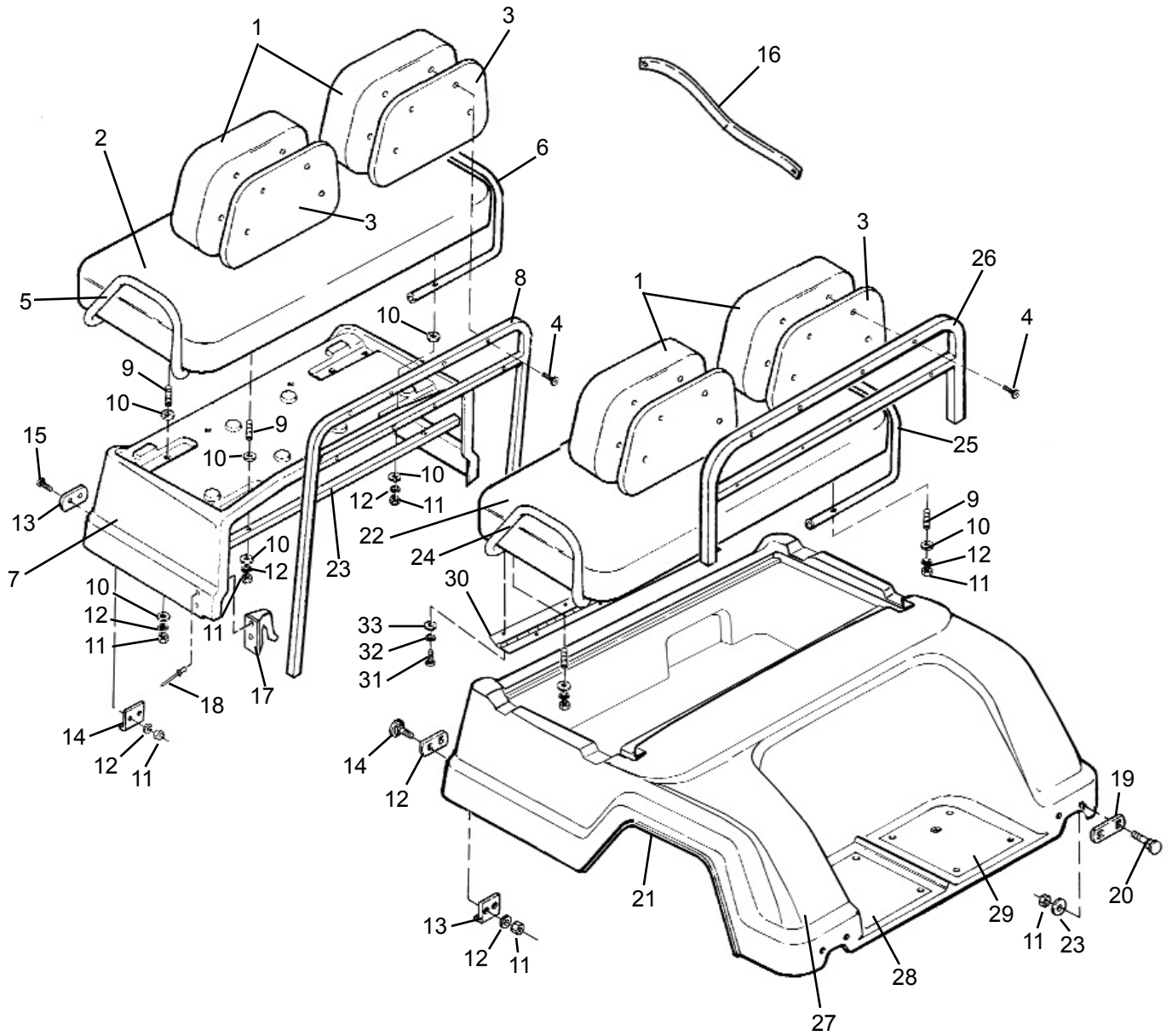


REAR BODY, SEATS, HANDRAILS - C6E, C6G

ITEM NO.	PART NO.	DESCRIPTION	QTY.	Beginning V.I.N. to Ending V.I.N.
1	51567-96	Cushion, Seat Back	2	
2	52004-96	Cushion, Seat Bottom	2	8S-25001 to _____
3	2001-BS	Screw, 1/4-20x2" Oval Head	12	4S-25001 to _____
4	84922-00	Handrail, LH Bolstered	2	9S-10001 to _____
5	84923-00	Handrail, RH Bolstered	2	
6	50183-91	Body, Mid Front	1	3S-25100 to _____
7	51501-98	Frame, Backrest Mid Front	1	
8	52109-87	Stud, 5/16-18x2 1/4"	8	4SD-30000 to _____
9	6000-B	Washer, W-Plain 5/16	8	
10	7041-B	Lockwasher, Split 5/16	28	
11	7748-B	Nut, Hex 5/16-18	28	
12	50203-89	Doubler, Front Hinge	4	
13	5400-BS	Bolt, Carriage 5/16-18x1"	8	
14	50271-89	Bracket, Hinge	4	
15	31067-63	Washer, Fender	8 Gas, 6 Elec.	
16	2818	Screw, Hex Cap 5/16-18x1 1/2"	2	
*	7740-B	Nut, Three-Way Centerlock 5/16-18	2	
17	50063-91	Rear Body, Front half	1	
18	50503-98	Seatback, Rear (Short)	1	
*	51503-91	Support, Under Seat	1	
19	2667	Screw, Hex Cap 5/16-18x2" (Gas Only)	2	
20	50065-91	Body, Rear Deck (Rear Body)	1	
21	15160-94	Deck, Composite Rear	1	
22	6702-B	Washer, N-Plain 5/16	10	
23	5449-BS	Bolt, Carriage 5/16-18x1 1/2"	2	
*	50334-89	Limitter, Strap Front	1	
24	91006-91A	Bumper, Rear	1	
25	91068-92	Bumper, Rear Side	2	
*	50708-98	Mat, Rear Floor	1	
26	52329-85	Spacer, Plastic	4	
27	50308-91	Guide, Body	4	
28	3403-B	Bolt, Carriage 5/16-18x2"	2	
29	52970-96	Seat Back, Cover	2	
	52971-96	Seat Back, Cover (Long Seat)	2	
30	8200	Fastener, Push	20	
31	59623-71A	Guard, Splash Only	2	
32	7750	Nut, Flange 5/16-18	4	
33	8698	Rivet, Pop .198x1/4"	8	
*	75506-99	Seatbelt, Buckle	1	
*	75510-99	Seatbelt, Retractor	1	

* Not Pictured in Illustration

REAR BODY, SEATS, HANDRAILS - FE, FG



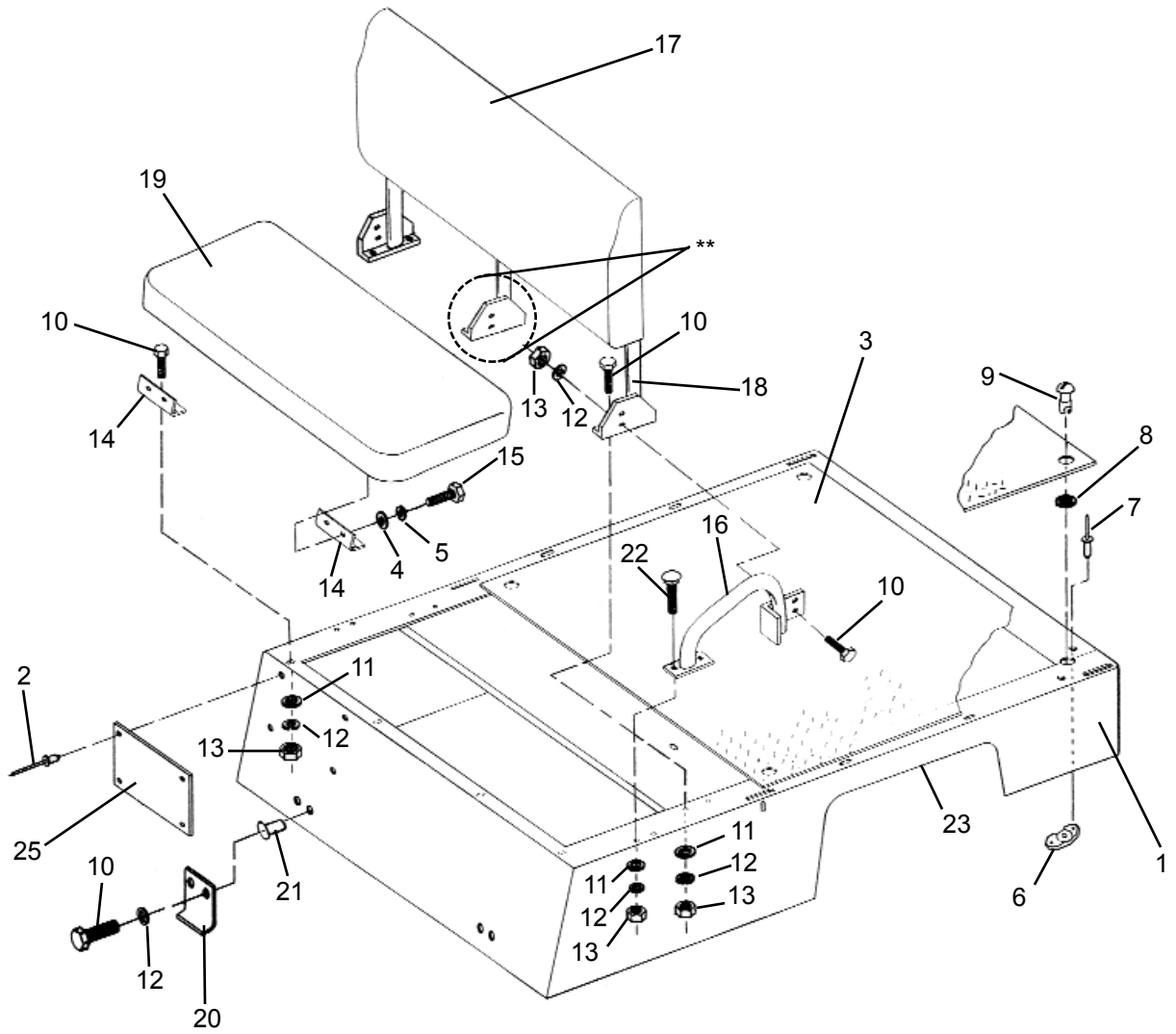
REAR BODY, SEATS, HANDRAILS - FE, FG

Beginning V.I.N. to Ending V.I.N.
8F-25001 to _____
4F-25100 to _____
9F-25200 to _____
3F-25100 to _____
5F-25100 to _____

ITEM NO.	PART NO.	DESCRIPTION	QTY.
1	52001-96	Cushion, Seat Back (ParCar Logo)	2/4
	52016-96	Cushion, Backrest	1
2	52004-96	Seat, Front Bench	1
3	52948-96	Cover, Seat Back	2/4
	52971-96	Plastic, Cover Seat Back	1
4	2001-BS	Screw, Oval Head 1/4-20x2"	12
5	84922-00	Handrail, LH Bolstered	2
6	84923-00	Handrail, RH Bolstered	2
7	50183-91	Body, Mid (Front)	1
8	51501-98	Frame, Backrest Front	1
9	52109-87	Stud, 5/16-18x2 1/4"	4
10	6000-B	Washer, W-Plain 5/16	16
11	7750	Locknut, Flange 5/16-18	13
12	7041-B	Lockwasher, 5/16"	10
13	50203-89	Doubler, Front Hinge	4
14	50271-89	Bracket, Hinge Front	4
15	5400-BS	Bolt, Carriage 5/16-18x1"	6
16	50334-89	Limiter, Front Strap	1
17	50308-91	Guide, Body	4
18	8698	Rivet, Pop	4
19	50204-89	Doubler Rear Body	2
20	3403-B	Bolt, Carriage 5/16-18x2"	4
21	59623-71A	Splash Guard	2
*	8200	Fastener, Push	14
22	52015-96	Seat, Rear Bottom	1
23	51503-96	Tube, Underseat Support	1
24	84924-96A	Handrail, LH	1
25	84925-96A	Handrail, RH	1
26	50503-98	Frame, Seat Back (Elec)	1
	50556-96	Frame, Seat Back (Gas)	1
27	50127-96	Rear Body- Foursome	1
28	50201-89A	Bagmat, Left	1
29	50202-89A	Bagmat, Right	1
30	50275-93	Hinge, Seat	1
31	3787-B	Screw, Hex Head 1/4-20x3/4"	10
32	7036-B	Lockwasher, 1/4"	10
33	67038	Washer, Plain	10
*	75512-99	Retractable Seat Belt Kit	2
*	75506-99	Seatbelt, Buckle	2
*	75510-99	Seatbelt, Retractor	2

* Not Pictured in Illustration

REAR BODY, SEATS, HANDRAILS - EU4, EUXB, EU2400XB, GU4, GUXB, GU2400XB



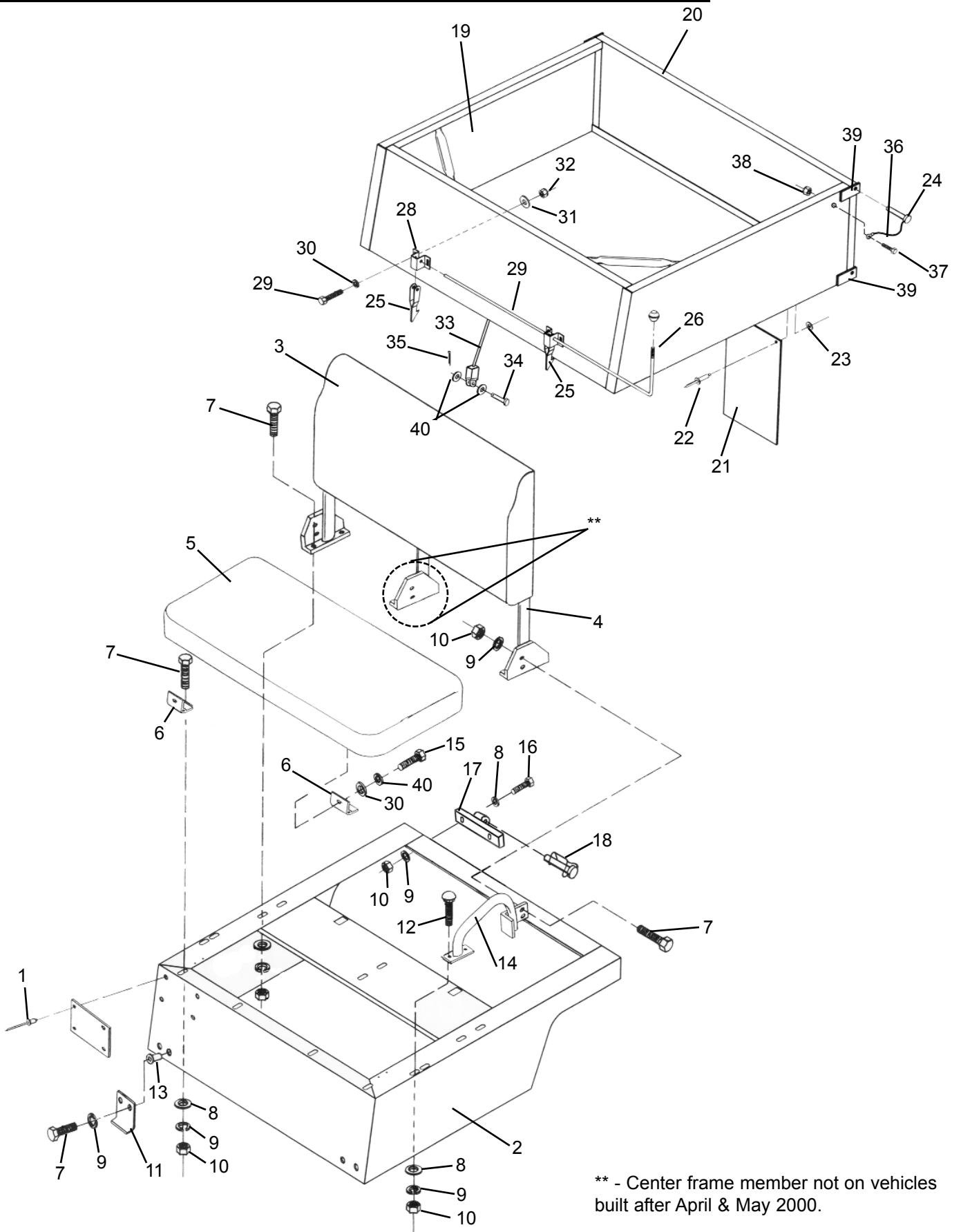
** - Center support not used on vehicles built after April & May 2000.

REAR BODY, SEATS, HANDRAILS - EU4, EUXB, EU2400XB, GU4, GUXB

ITEM NO.	PART NO.	DESCRIPTION	QTY.	Beginning V.I.N. to Ending V.I.N.
1	50002-92	Body, Flat Bed	1	8U-25001 to _____
	50610-92	Body, Flat Bed (Extended Bed Vehicles)	1	8X-25001 to _____
2	8201	Rivet, Pop 1/8x1/4"	4	4U-25001 to _____
3	50242-92	Plate, Deck	1	4X-25001 to _____
	50606-93	Plate, Deck (Extended Bed Vehicles)	1	4J-25001 to _____
4	6703-B	Washer, N-Plain 1/4	4	4N-25001 to _____
5	7036-B	Lockwasher 1/4	4	9U-30000 to _____
6	11713A	Spring, Hold Down	4	9X-25100 to _____
7	8321	Rivet, Pop 1/8x12"	8	9J-25101 to _____
8	11714A	Retainer, Hold Down	4	9N25001 to _____
9	11712A	Stud, Hold Down	4	
10	3987-BS	Screw, Hex Cap 5/16-18x3/4"	22	
11	6702-B	Washer, Plain Blk Zinc 11/32	22	
12	7041-B	Lockwasher, Split 5/16	30	
13	7748-B	Nut, Hex 5/16-18	16	
	7750	Locknut, Flange 5/16-18	26	
14	52975-96	Hinge, Right Front (1996 - 1997)	1	
	52976-96	Hinge, Left Front (1996 - 1997)	1	
	52978-98	Tab, Seat (1998 - 2000)	2	
15	2003-B	Screw, Oval Machined 1/4-20x3/4"	4	
16	52633-92	Handrail, Utility LH	1	
*	53632-92	Handrail, Utility RH	1	
17	52943-92	Cushion, Back	1	
18	52942-87	Frame, Seat Back	1	
19	52941-92	Cushion, Bottom	1	
*	52940-92	Bench Seat Assy. (Incl. Items 17 - 19)	1	
20	50271-89	Bracket, Hinge Front	1	
21	8206	Knurled Insert	4	
22	5400-BS	Bolt, Carriage 5/16-18	10	
23	59623-71A	Splash Guard	2	
*	8200	Fastener, Push	16	
*	59607-64A	Kit, Splash Guard (Fender) with Fasteners	1	
*	75506-99	Seatbelt, Buckle	2	
*	75510-99	Seatbelt, Retractor	2	

* Not Pictured in Illustration

REAR BODY, DUMPBOX, SEATS, HANDRAILS - ED4, GD4



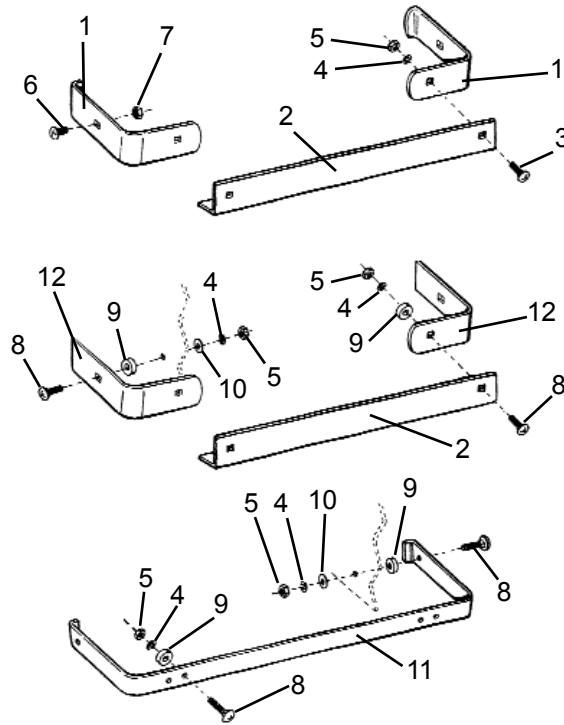
REAR BODY, DUMPBOX, SEATS, HANDRAILS - ED4, GD4

Beginning V.I.N. to Ending V.I.N.	
8D-25001 to	_____
4D-25001 to	_____
9D-25001 to	_____

ITEM NO.	PART NO.	DESCRIPTION	QTY.
1	8201	Rivet, Pop 1/8X3/16	4
2	52427-92	Rear Body, Dump	1
3	52943-92	Cushion, Back	1
4	52942-87	Frame, Seat Back	1
5	52941-92	Cushion, Bottom	1
6	52975-96	Hinge, Right Front (1996 - 1997)	1
	52976-96	Hinge, Left Front (1996 - 1997)	1
	52978-98	Tab, Seat (1998 - 2000)	2
*	52940-92	Assy., Seat (Incl. Items 3 - 5)	1
7	3987-BS	Screw, Hex Cap 5/16-18x3/4"	16
8	6702-B	Washer, Plain Blk 11/32"	20
9	7041-B	Lockwasher, Split 5/16"	24
10	7748-B	Nut, Hex Cap 5/16-18	20
11	50271-89	Bracket, Front Hinge	2
12	5400-BS	Bolt, Carriage 5/16-18x1"	4
13	8206	Knurled Insert	4
14	52633-92	Handrail, Utility LH	1
*	52632-92	Handrail, Utility RH	1
15	2003-B	Screw, Oval Machined 1/4-20x3/4"	4
16	2667	Screw, Hex Cap 5/16-18x2"	2
17	52966-92	Hinge Weldment, Dump Box	2
18	52441-92	Pin, Snapper	2
19	52425-92	Box, Dump	1
20	52435-92	Tailgate, Dump Box	1
21	59245-92	Flap, Mud	2
22	8480	Rivet, Pop 3/16x38	4
23	50311-83	Washer, Backup (#6)	4
*	52407-78	Spring, Dump Release	2
*	601	Pin, Roll .133x3/4"	2
24	52444-00	Pin, Quick Release 3/8x1 5/8"	4
25	52412-92	Latch, Dump Box	2
26	32994-67A	Knob, Release	1
27	52415-92	Shaft, Dump Box Latch	1
28	52405-78	Bracket, Dump Box Latch	1
29	3787	Screw, Hex Cap 1/4-20x1 1/2"	4
30	6703-B	Washer, N-Plain 1/4"	12
31	31067-63	Washer, Fender	4
32	7742	Locknut, Three-Way Crown 1/4-20	4
33	50975-00	Cable Bed Restraint	1
34	499	Pin, Clevis	2
35	534	Pin, Cotter	2
36	52443-94	Lanyard, Tailgate	4
37	2592	Screw, Phillips #10-24x1/2"	4
38	7624	Locknut, Nylok #10-24	4
39	11416	Grommet, Tailgate	4
40	7036-B	Lockwasher, 1/4 Split	2

* Not Pictured in Illustration

REAR BUMPER - P4G, P4E, G4S, E4S, FE, FG, C6E, C6G, GU4, EU4, GUXB, EUXB EU2400XB, GU2400XB



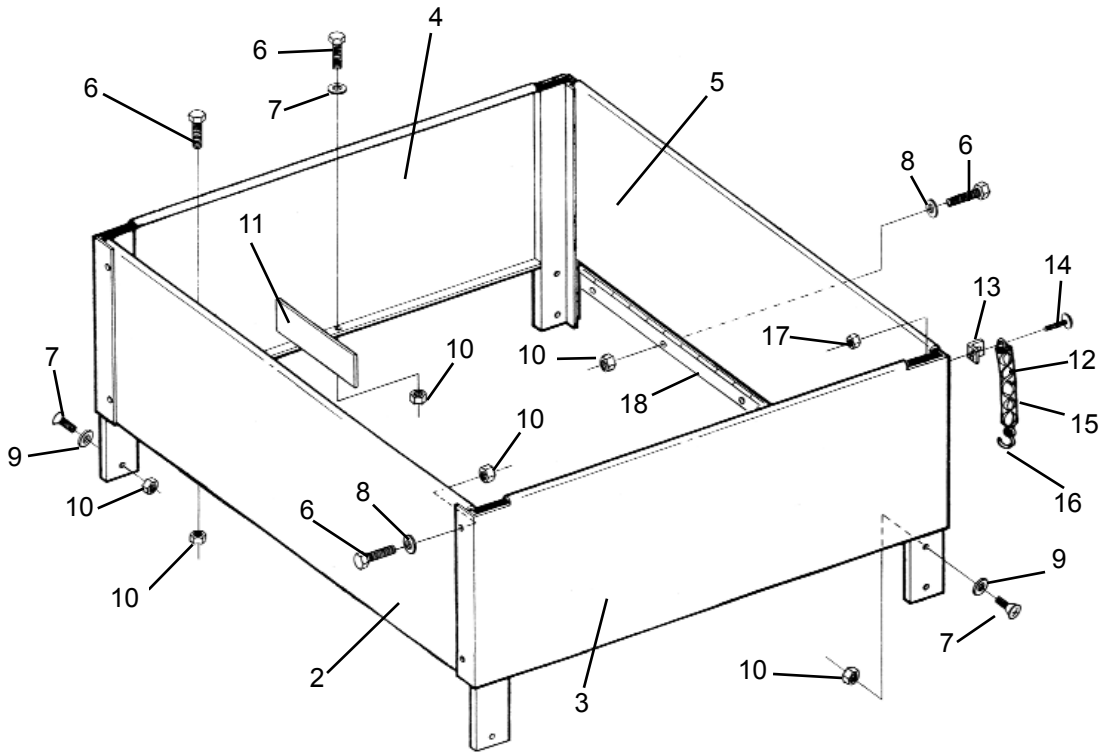
Beginning V.I.N. to Ending V.I.N.

8E-25100-D6	to	_____
5E-27001-D7	to	_____
4E-25001-D6	to	4E-28133-D8
8C-25001-D6	to	8C-25080
4C-25001-D6	to	4C-25037
5C-25001	to	5C-25016
8U-25001	to	_____
8F-25001	to	_____
8X-25001	to	_____
3E-21842	to	_____
5F-25100	to	_____
4U-25001	to	_____
4H-25001	to	_____
4F-25100	to	_____
4J-27001	to	_____
4X-25001	to	_____
4N-25001	to	_____
9F-30000	to	_____
3F-25100	to	_____
9X-10026	to	_____
9U-30000	to	_____
9N-25001	to	_____
9S-10005	to	_____
9H-21001	to	_____
9J-25101	to	_____
5FD-30005	to	_____
4DD-30000	to	_____
4HD-30000	to	_____
3FD-30000	to	_____
3ED-30000	to	_____
4UD-30000	to	_____
4XD-30000	to	_____
5EE-11000-E0	to	_____
5ED-11000-E0	to	_____

ITEM NO.	PART NO.	DESCRIPTION	QTY.
1	91008-91A	Bumper, Side (P4, EU, GU, FE, FG,)	2
2	91006-91A	Bumper, Center (P4, EU, GU, C6)	1
*	91014-96	Bumper, Center Weldment (FE, FG)	2
3	5400-BS	Bolt, Carriage 5/16-18x1"	2
4	7041-B	Lock washer, Split 5/16" (P4, EU, GU, G4S, E4S, FE, FG, C6)	2
5	7748-B	Nut, Hex Cap 5/16-18 (P4, EU, GU, G4S, E4S,C6)	2
6	5452-BS	Bolt Carriage 5/16-18x5/8"	2
7	7740-B	Locknut, UNC-ZC 3-Way Cntr Lock	2
8	5449-BS	Bolt, Step 5/16-18x1 1/2" (G4S, E4S)	4
9	52329-85	Spacer, Plastic (G4S, E4S, C6)	4
10	31067-63	Washer, Fendr 5/16" (G4S, E4S, C6)	2
11	44614-88A	Bumper, (G4S, E4S)	1
*	91005-93	Bumper, Tram (C10E, C10G)	1
*	89100-96	Rear Duro Bumper Kit	1
	91010-96MZ	Duro Bumper	1
	47235-96	Bracket, Bumper Rear	1
	3787-B	Screw, HHC 1/4-20x3/4" (Duro Bumper Hdwr)	4
	7036-B	Lockwasher, Spring 1/4 (Duro Bumper Hdwr)	4
	6703-B	Washer, Plain 1/4(Duro Bumper Hdwr)	4
*	89101-96	Front Duro Bumper Kit (Tram)	1
	91010-96MZ	Duro Bumper	1
	91061-96MZ	Bracket, Bumper Front	1
	3787-B	Screw, HHC 1/4-20x3/4" (Duro Bumper Hdwr)	4
	7036-B	Lockwasher, Spring 1/4 (Duro Bumper Hdwr)	4
	6703-B	Washer, Plain 1/4(Duro Bumper Hdwr)	4
	5400-BS	Bolt Carriage 5/16-18x1"	2
	7041-B	Lockwasher, 5/16	2
	7748-B	Nut, Hex Cap 5/16-18	2

* Not Pictured in Illustration

STEEL CARGO BOX OPTION - EU4, GU4, EUXB, GUXB, EU2400, GU2400, EU2400XB, GU2400XB

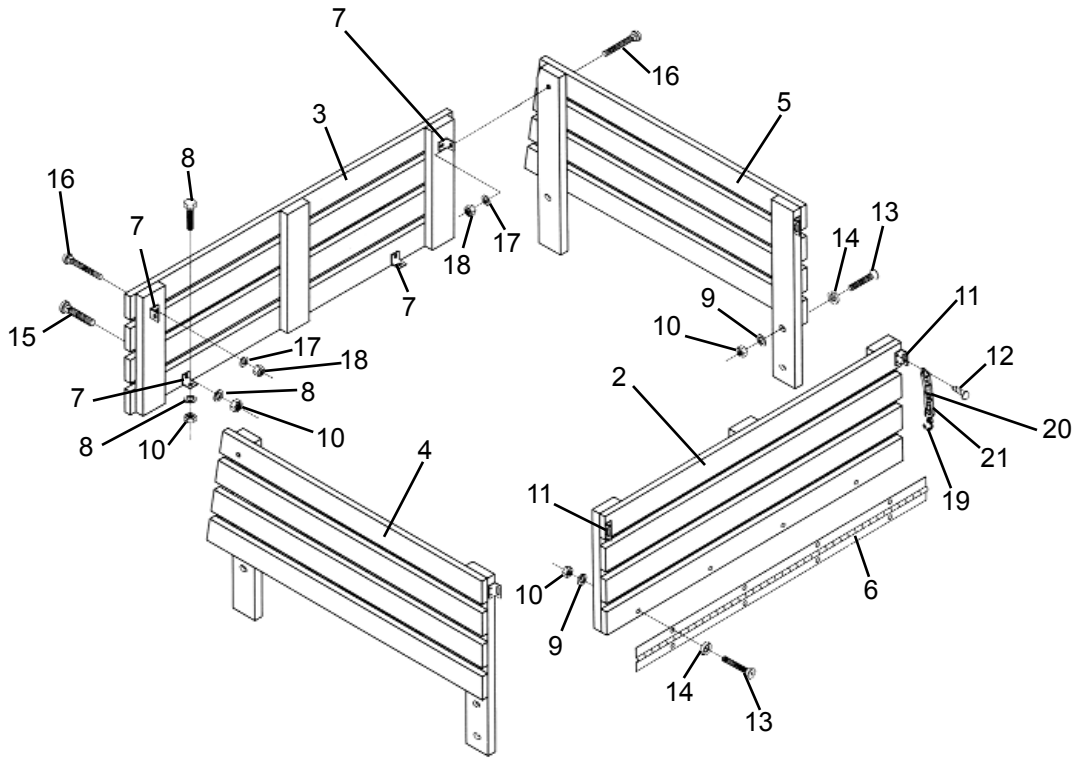


1

ITEM NO.	PART NO.	DESCRIPTION	QTY.	Beginning V.I.N. to Ending V.I.N.
1	50267-89	Cargo Box, Steel (36L X 43W X 14H) (Incl. Items 2 - 18)	1	8U-25001 to _____ 4U-25001 to _____
	15350-92	Cargo Box, Steel (Extended Bed) (Incl. Items 2 - 18)	1	9U-30000 to _____ 4J-27001 to _____
2	50273-92	Panel, Front Cargo Box	1	4X-25001 to _____
3	50262-92	Panel, Side LH	1	4N-25001 to _____
	50265-93	U4-88 Box LH (Extended Bed)	1	8X-25001 to _____
4	50263-92	Panel, Side RH	1	9N-25001 to _____
	50264-93	U4-88 Box RH (Extended Bed)	1	
5	50276-94	Tailgate, Painted	1	
6	3987-BS	Bolt, Hex Black 5/16-18x3/4"	22/26	
7	2363-BS	Screw, Flat Head 5/16-18x3/4"	6/8	
8	6702-B	Washer, Plain Blk Zinc 11/32"	24/44	
9	6250-B	Washer, Finishing	6/8	
10	7525	Nut, Hex Flange 5/16-18	20/34	
11	53018-89	Decal, Caution	1	
12	50299-83	Chain	2	
13	50292-83	Bracket, Latch	4	
14	2665	Screw, Phillips Hd #10-24x5/8"	8	
15	50298-83	Tubing, Clear	4	
16	50297-83	S-Hook	2	
17	7624	Locknut, Nylok #10-24	8	
18	52953-92A	Hinge, Tailgate	1	

* Not Pictured in Illustration

WOOD CARGO BOX OPTION - EU4, GU4, EUXB, GUXB, EU2400, GU2400, EU2400XB, GU2400XB

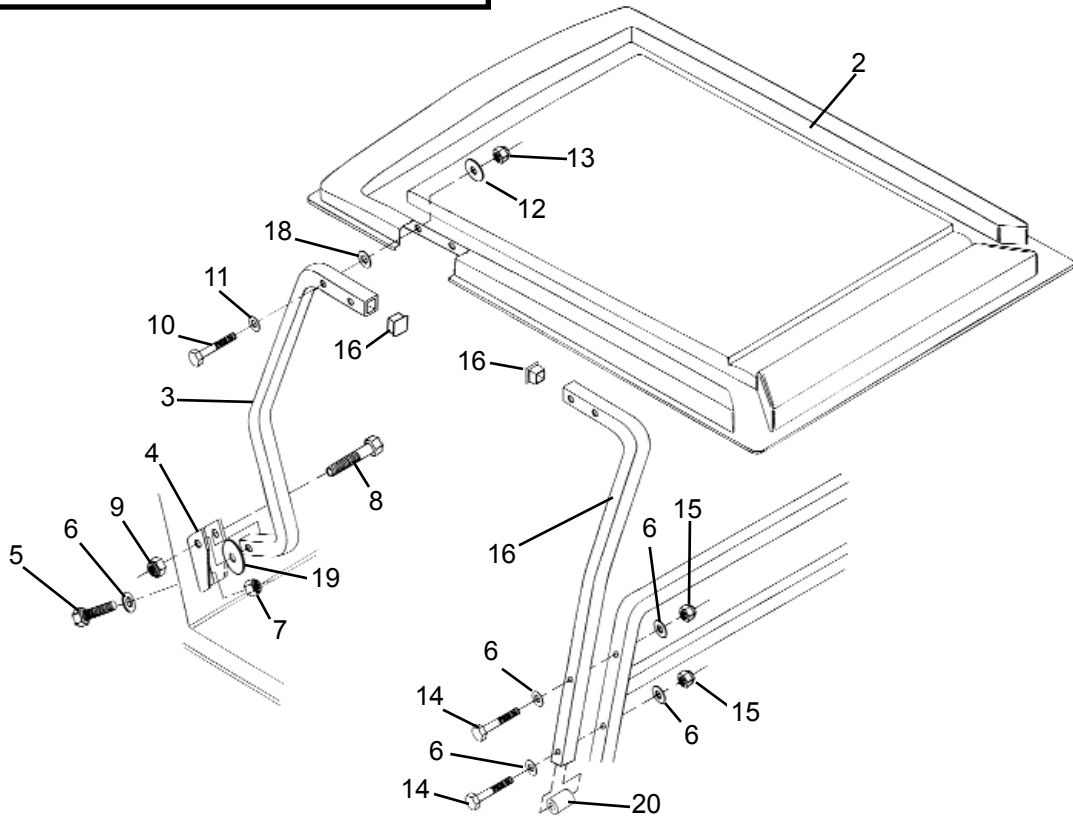


1

ITEM NO.	PART NO.	DESCRIPTION	QTY.	Beginning V.I.N. to Ending V.I.N.
1	50290-92A	Cargo, Box Wood (Incl. Items 2 - 21)	1	8U-25001 to _____
	50290-94	Cargo, Box Wood Extended Bed (Incl. Items 2 - 21)	1	4U-25001 to _____
2	50261-92A	Tailgate	1	9U-30000 to _____
3	50294-92A	Panel Front Wood Cargo Box	1	4J-27001 to _____
4	50295-92A	Panel, Wood Cargo Box LH	1	9N-25001 to _____
	50298-93	Panel, Wood Cargo Box Extended Bed LH	1	4X-25001 to _____
5	50296-92A	Panel, Wood Cargo Box RH	1	8X-25001 to _____
	50297-93	Panel, Wood Cargo Box Extended Bed RH	1	4N-25001 to _____
6	52953-92A	Hinge, Tailgate	1	
7	50293-83	Bracket, Cargo Box	4	
8	3987-BS	Screw, Hex Cap 5/16-18x3/4"	2	
9	6702-B	Washer, Plain Blk Zinc 11/32"	18/22	
10	7748-BS	Nut, Hex 5/16-18	18/22	
	7525	Nut, Hex Flange 5/16-18	18/22	
*	7041-B	Lockwasher, Split	18/22	
11	50292-83	Bracket, Latch	4	
12	2615	Screw, Round HD Wood #8x7/8"	8	
13	2363-BS	Screw, Flat HD 5/16-18x1 1/2"	14/18	
14	6250-B	Washer, Finishing	14/18	
15	5449-BS	Bolt, Carriage 5/19-19-8x1 1/2"	2	
16	5401-BS	Bolt, Carriage 1/4-20x2 1/4"	4	
17	6703-B	Washer, Plain 1/4"	4	
18	7688-B	Nut, Hex Cap 1/4-20	4	
19	50297-83	S-Hook	2	
20	50299-83	Chain	2	
21	50298-83	Tubing	4	
*	53018-89	Decal, Caution	1	

* Not Pictured in Illustration

RAINDRAIN, SUNTOP P4G, P4E

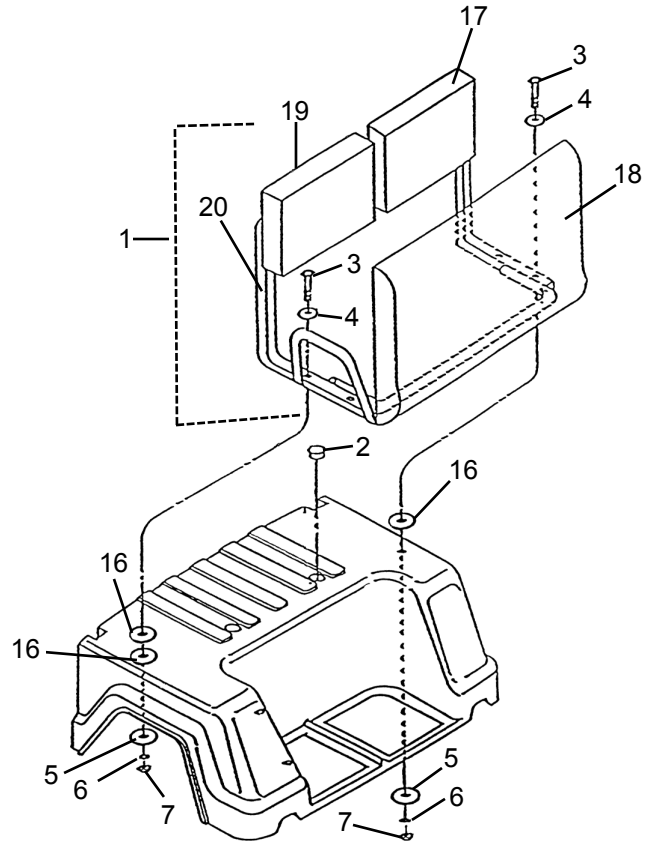
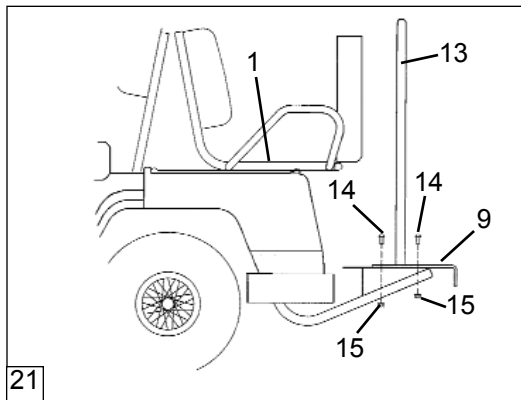
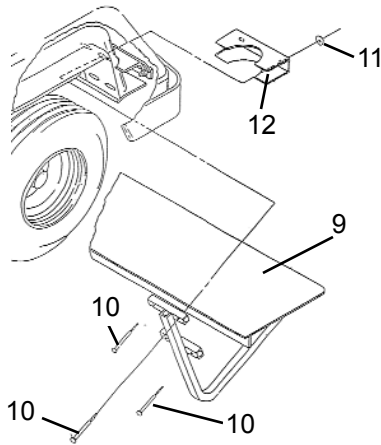


1

ITEM NO.	PART NO.	DESCRIPTION	QTY.	Beginning V.I.N. to Ending V.I.N.
1	89566-96A	Suntop, Raindrain Kit	1	
2	84154-98	Shell, Suntop	1	8E-25100-D6 to _____
3	89406-98	Support, Front Suntop	2	4E-25001-D6 to 4E-28133
4	89537-96	Bracket, Suntop Tube	2	5E-27001-D7 to _____
5	3991	Screw, Hex 5/16-18x7/8"	4	8C-25001-D6 to 8C-25080
6	6000-B	Washer, W-Plain 1/4	12	4C-25001-D6 to 4C-25037
7	7739	Locknut, Nylok 5/6-18	4	5C-25001 to 5C-25016
8	4720-B	Screw, Black 3/8-16x3/4"	2	3E-21842-D8 to _____
9	7778	Locknut, Nylok 3/8-16	2	5EE-11000-E0 to _____
10	3454-BS	Screw, Hex 1/4-20x1 3/4"	8	5ED-11000-E0 to _____
11	6703-B	Washer, N-Plain 1/4	8	
12	6257-W	Washer, Fender 1/4	8	
13	7742	Locknut, 3-Way Crown 1/4-20	8	
14	5208-B	Screw, Pan Head 5/16-18x2 1/2"	4	
15	7740-b	Nut, Center Lock 5/16-18	4	
16	11433	Plug, Finish 7/8"	4	
17	89400-96	Support, Rear Suntop Tube LH	1	
*	89403-96	Support, Rear Suntop Tube RH	1	
18	89470-74	Waher, Rubber	8	
19	6346	Washer, Nylon	4	
20	5713	Spacer, 3/8 ID x 27/32" Long	2	

* Not Pictured in Illustration

REAR FACING SEAT, FOOTREST, HANDRAIL/BAG HOLDER P4E, P4G



ITEM NO.	PART NO.	DESCRIPTION	QTY.	Beginning V.I.N. to Ending V.I.N.
1	91528-91A	Seat, Rear Facing (Incl Items 17, 18, 19, 20 and Hardware)	1	8C-25001-D6 to 8C-25080
2	654	Plug, Hole 1 1/2"	2	4C-25001-D6 to 4C-25037
3	3454-BS	Screw, Hex 1/4-20x1 3/4"	2	4E-25001-D6 to 4E-28133
4	6703-B	Washer, Plain 1/4"	5	5C-25001 to 5C-25016
5	6257-W	Washer, Fender 1 3/8"	4	8E-25100-D6 to _____
6	7036-B	Lockwasher 1/4"	4	5E-27001-D7 to _____
7	7688-B	Nut, Hex Cap 1/4-20	2	3E-21842-D8 to _____
8	3650	Screw, Hex Cap 1/4-20x3"	2	5EE-11000-E0 to _____
9	91540-91	Footrest., Rear Facing	1	5ED-11000-E0 to _____
10	4721	Screw, Hex Cap 3/8-16x4"	8	
11	7512	Locknut 3/8-16	8	
12	47105-91	Clamp, Mounting	4	
13	52640-96	Handrail/Bag Holder	1	
14	5400-BS	Bolt, Carriage 5/16-18x1"	2	
15	7525	Locknut, Flange 5/16-18	2	
16	6266	Washer, Rubber	6	
17	52001-96	Cushion, Back Parchment ParCar	2	
18	52007-91	Cushion, Bottom RFS	1	
19	52948-96	Cover, Seat Back	2	
20	51505-91C	Frame, Rear Facing Seat	1	
21	91529-91B	Rear Facing Seat & Footrest Kit	1	

* Not Pictured in Illustration

COMMON HARDWARE

WASHERS

6000-B5/16", W-Plain
60051/2" Flat
6150-W20 x 3/8 x 1/16
6242-WFlat
6250-B Finishing, Black Zinc
6257-W28 x 1.38 x .059, Steel Zinc
63335/16", W-Plain
6341-B5/16 x 1 1/8 1/16, Steel
63505/16 Flat Hardened
6388-HB3/8 x .71 x .06, Steel Zinc
64123/8" Flat
64163/8", W-Plain
6417-W3/8 x 1 1/8 x 1/8
6568-B1/2" Flat
6607-W39 x .91 x .18, Steel Zinc
66563/4" Flat
6702-B5/16", N-Plain (Black)
67031/4" N-Plain
6703-B1/4", N.Plain (Black)
6716 #10, Plain
68013/8 x 1.5 x 1.8
74221/4x1" Fender

LOCKNUTS

7500 #4-40 Hex Nylok
7503 Metric 8x1 1/4" Hex Flange
7512 3/8-16 Flange Whiz
7522 #6 Keps
7523 #4 Keps
7525 5/16-18, Hex Flange Whiz
7624 #10-24, Hex Nylok
76831/4-28, Hex Nylok
76851/2-13, Nylok Thin
76861/4-20, Hex Nylok
7687 1/2-13 Hex Cntr Lock
7692 1/4-20 Hex Nylok
76931/4-20 Hex Top Lock
7710-W 5/16-18, Hex Nylok, Thin
7724-B 1/4-20 Flange Whiz
7725 5/16-24, Hex Nylok
7727 5/16-24, Hex Nylok, Thin
7739 5/16-18, Hex Nylok
7740 5/16-18, Two-Way Center
77421/4-20, Three Way Crown
7750 5/16-18 Hex Flange 2-Way Cntr
7775 3/8-24, Hex Nylok
7778 3/8-16 Hex Nylok
7810 5/16-18 Flange Cntr Zinc
7812-W 1/2-20 Hex Nylok
7825 7/16-20 Hex Nylok
7827-W 7/16-14 Hex Nylok
7995 5/8-18, Hex Nylok, Thin
8161 5/16-18, Hex Flange
8165 7/16-20 Disc Lock

COMMON HARDWARE (cont.)

NUTS

7516	5/16-18 Weld
7634	#10-32, Hex Cap, Brass
7638	#10-3, Hex Cap
7676	1/4-28, Hex Cap
7677	1/4-28, Hex Jam, LH
7688	1/4-20, Hex Cap
7688-B	1/4-20, Hex Cap (Black)
7744	5/16-24 Jam
7748-B	5/16-18, Hex Cap (Black)
7748-W	5/16-18, Hex Cap
7753	5/16-24, Hex Cap
7783	2/8-16, Hex Cap
7825	7/16-20, Hex Nylok
7831	7/16-20 Jam
7845	1/2-20 Hex
7880	1/2-13 Hex Cap
7947-B	5/8-18 Slotted

BOLTS

3403-B	5/16-18x2" Carriage
3454-BS	1/4-20x1 3/4" Black
4010	1/2-20x 1 1/4" Grd 5 HHCS
4750	5/16-18x7 1/2" Grd 8 Hex Hd
5240	1/4-20x1 Turned Eye Bolt
5400-BS	5/16-18 x 1", Bolt, Carriage
5401-BS	1/4-20x2 1/4" UNC-2A Carriage
5449-BS	5/16-18 x 1 1/2", Bolt, Carriage
5452-BS	5/16-18 x 5/8", Bolt, Carriage

SCREWS

1357-W	1/4-201", Oval Pozi Hd
2001-BS	1/4-20x2", Oval HD (Black)
2002	1/4-20x1 3/4", Oval Hd
2003-B	1/4-20x 3/4 Oval CSK Hd
2008	1/4-20x5/8" Phillips Flathead
2010-B	1/4-20x1 1/2" Socket Cap Blk
2339	#10-24x3/4", Hex Hd Mach.
2363	5/16-18x1 1/2", Flat Hd
2367	1/4-20x1 1/2", Oval Hd
2368	5/16-18x3/4", Self-Tapping
2369	5/16-18x1", Self-Tapping, Washer Hd
2420	1/4-20x3/4" Pan Hd
2502	#10-24x1/2", Self-Tapping
2505	#4-40x5/8"
2506	#4-40x7/8" Round Hd
2509	1/4-20x1" Thread Forming
2510	#4-40x3/4" Round Hd
2511	#8-32x3/8" Hex
2551-W	1/4-20x1" Hex Cap
2592	#10-24x1/2" Phillips Hd
2599	1/4-20x1 3/4" Phillips Hd
2602	1/4-20x1 1/4" Phillips Hd

COMMON HARDWARE (cont.)

SCREWS (cont.)

2615	8-15x7/8 Wood Round Hd
2642	#4x5/8" Hex Hd
2638	#6x3/4", Pan Head, Self-Tapping
2646	#6x5/8" Hex Hd
2647	#8x3/8" Hex Hd
2653-B	#10x3/4" TEK #3
2659	#10-24x7/8", Pozi Pan Hd
2665	#10-24x5/8" Phillips Hd
2667	5/16-18x2", Hex Cap
2685-W	10-24x5/8" Self Taping
2818	5/16-19x1 1/2", Hex Cap
2821	1/4-20x2 1/4", Hex Cap
2871-W	5/16-18x1 1/4", Hex Cap
2872-W	1/4-20x 1 1/2", Hex Cap
2882-W	5/16-18x5/8", Hex Cap
3406	1/2-13x3" Hex Cap
3407	1/2-13x2 1/4" Hex Cap
3412	5/16-18x2 1/2" Grd 8 HHC
3419	5/16-18x2 1/4", Hex Cap
3427	5/16-18x3 1/2", Hex Cap
3451	3/8-16x3/8"Hex
3452	3/8-24x8" Hex Cap
3454	1/4-20x1 3/4", Hex Cap
3502	#10-24x3/4", Hex Washer Hd
3503	#10-24x1 1/4" Hex Washer Hd
3650	1/4-20x3", Hex Cap
3728	1/4-20x1/2", Hex Cap
3768	1/4-20x2 1/2", Hex Cap
3775	3/8-16x2", Hex Cap
3787-B	1/4-20x3/4", Hex Cap (Black)
3950	1/2-20x4", Hex Cap
3986	5/16-18x3/4" HHCS
3987-BS	5/16-18x3/4", Hex Cap
3991	5/16-18x7/8", Hex Cap
4004	1/2-20x4 1/2" Hex Cap
4014-W	5/16-24x1 1/4" Hex Cap
4017	5/16-18x1", Hex Cap
4018	5/16-18x1 1/4" Grd 8
4036	5/16-24x1 1/2", Hex Cap
4068	5/16-18x 2 1/2", Hex Cap
4086	5/16-18x3" Hex Cap
4253	7/16-20x3 1/2" Hex Cap
4319	3/8-24x1", Hex Cap
4391	5/16-24x5/8", Hex Cap
4434-W	3/8-24x3 1/4" Hex Cap
4451-W	3/8-16x5 1/4", Hex Hd
4713-W	3/8-16x3/4" Hex Cap
4716-W	3/8-16x1 1/4", Hex Cap
4719-W	3/8-16x2 1/2" Hex Cap
4720-W	3/8-16x1 3/4", Hex Cap
4734	5/16-18x1 1/4", Hex Flange
5206-BS	5/16-18x1 Pan Hd
5207-BS	5/16-18x2" Pan Hd
5208	5/16-18x2 1/2"

COMMON HARDWARE (cont.)

SCREWS (cont.)

5208-B 5/16-18x2 1/2" Pan Hd, Blk
5210 1/4-20x1" Thumb Screw

LOCKWASHERS

6969 #4 Reg Med Split
7036 1/4", Split
7036-B 1/4", Split (Black)
7037 5/16" Spring Heavy Duty
7038-B 3/8", Split (Black)
7039 7/16", Split
7041-B 5/16", Split
7068 1/2" Reg Med Split
7069 #10, Split
7118 #10, Internal Tooth
7127 5/16", Internal Tooth
7130-W 3/8", Internal Tooth

PINS

216 3/16x1/2" Clevis
217 1/4x2 3/4" Clevis
388 1/4x2" Spring
497 5/16x7/8" Clevis
498 3/16x3" Clevis
499 1/4x1 1/2" Clevis
502 3/4" Clevis
515 1/16x3/4" Cotter
520-W 1/8x1" Cotter
533 5/64x1" Cotter
534 3/32x1" Cotter
601133x3/4" Roll
611 1/4x1" Roll

FASTENERS

1787 Hi-Lo Screw
5298 Push Nut
8128 1/4 Speednut
814431 Pushnut
8200 1/4x3/4" Push
11712A 1/4 Turn
11714A 1/4 Turn Retaining Clip

RIVET

8201 1/8x1/4" POP STSTL
8321 1/8x1/2" POP
8480 3/16x3/8" POP
8692 5/32x1/4" POP
8698198X3/8 Exp Alum.