



COLUMBIA

PARTS MANUAL
MEGA ELECTRIC VEHICLES
VAN
DROPSIDE
TILTBED
CARGO
REFUSE



Welcome, and congratulations on your choice of the Columbia Electric Vehicle from Columbia ParCar Corp.!

Some of the equipment in this manual may not apply to your vehicle, depending on which model you have.

If your vehicle is a Neighborhood Electric Vehicle (NEV) or a Low Speed Vehicle (LSV) they meet the requirements of the National Highway Traffic & Safety Administration (NHTSA) as stated in the Code of Federal Regulations, Title 49, Part 571, Standard 500, Low Speed Vehicles.

To the best knowledge of Columbia ParCar Corp., the material contained herein is accurate as of the date this publication was approved for printing. Columbia Par-Car Corp. is not liable for errors in this manual or for incidental or consequential damages that result from the use of the material in this manual. Columbia ParCar Corp. reserves the right to change specifications, equipment or designs at any time without notice and without incurring obligation.

This manual contains proprietary information that is protected by copyright. All rights are reserved. No part of this manual may be photocopied, reproduced, or translated to another language without the written consent of Columbia ParCar Corp.

Columbia ParCar Corp. products are manufactured under one or more of the following U.S. Patents - 2986162, 2987934, 3116089, 3144631, 3144860, 3229792, 3434887, 3559773, 3673359, 3680403, 3683716, 3709317, 4648473, Des. 225626.



1115 Commercial Avenue • Reedsburg, WI 53959
Phone: (608) 524-8888 • Fax: (608) 524-8380
(800) 222-4653 • Web: www.parcars.com

INDEX - MEGA

SECTION 1 Engine & Electrical

DC Engine Components	1-1
DC Power Parts	1-2
AC Engine/Power Parts	1-4
Battery and Wire Harness	1-6
Delta Q Charger with Remote LED	1-7
Lights	1-8
Main Harness Schematic	1-9
Harness Controller to MDI	1-10
AC Controller Adapter Harness	1-10

SECTION 2 Body

Chassis	2-1
Chassis Supports	2-2
Front	2-3
Door - Panel	2-5
Door – Window Mechanism	2-6
Door, Complete	2-6
Door – Lock Mechanism	2-7
Glazing	2-8
Front/Rear Bumpers	2-9

SECTION 3 Accelerator & Brakes

Accelerator and Brake Cluster	3-1
Hydraulic Brakes	3-3
Hydraulic Brake Lines	3-4
Mechanical Brakes	3-5

SECTION 4 Steering and Suspension

Wheels	4-1
Front Axle	4-2
Drive Shaft and Rear Axle	4-3
Steering	4-4

SECTION 5 Interior

Heating System	5-1
Seats and Dash	5-2
Seat Belts	5-3
Instruments	5-4
Windshield Wiper, Horn & Sun Visor	5-5
Interior Dome Light	5-6

SECTION 6 Options

Tail Gate	6-1
Van Side Roller Door	6-2
Van Sides	6-3
Van Doors	6-4
Dropside Body	6-6

INDEX - MEGA

Tipper Body	6-7
Rear Deck Boards	6-8
Refuse Body	6-9
Refuse Dump Mechanism	6-10
Van Enclosure	6-11
Dropside HVAC	6-12
HAVC	6-16

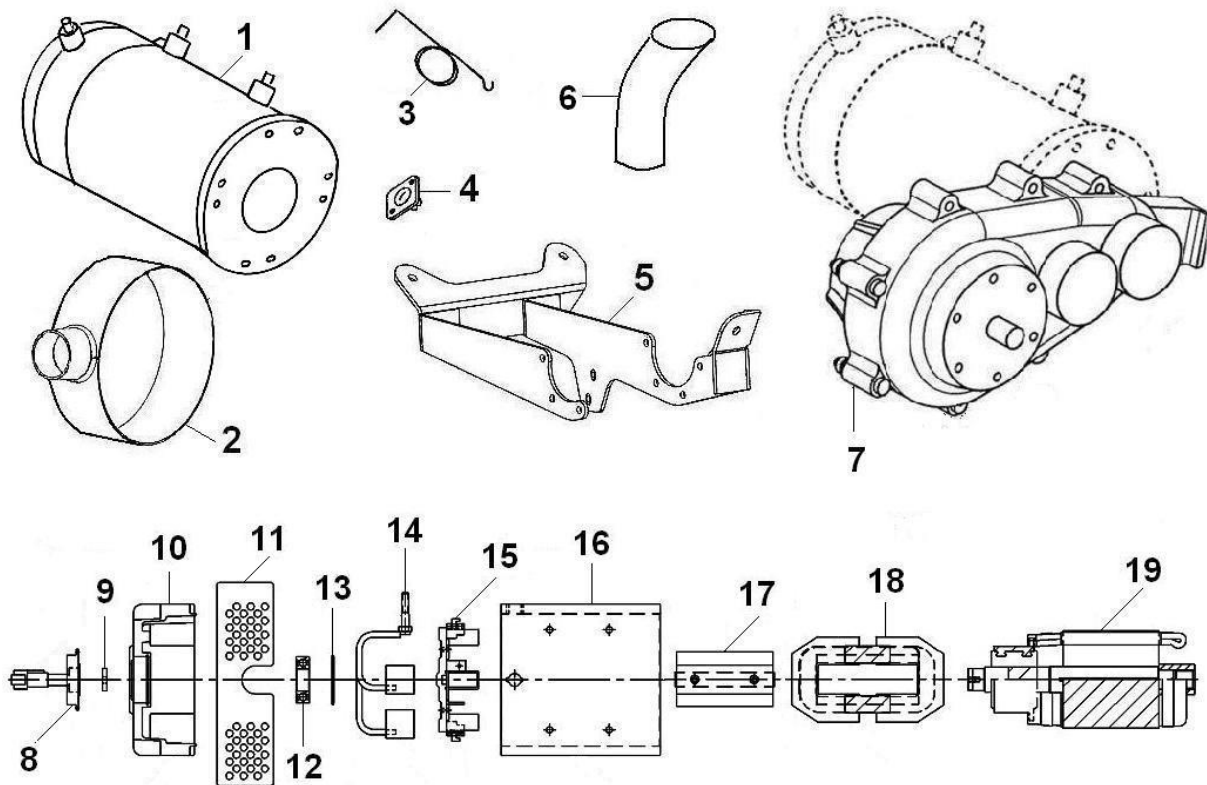
Note:

Starting in February of 2015, Columbia started implementing the use of textured black paint instead of satin black on certain accessories. When ordering black coated parts it may be necessary to state if they have the satin finish or the textured finish.

CHANGE HISTORY MEGA		
DATE	DESCRIPTION	BY
4/15/2011	Issued	TS
9/12/13	Changed AC Controller P/N & included replacement instructions.	TS
11/13/13	Deleted seat belt washer. Added brake line connections.	TS
11/25/13	Added wire harnesses	TS
12/3/13	Added dropside HVAC	TS
12/11/13	Changed brake reservoir & deleted silver door assemblies.	TS
1/15/14	Added dropside locks.	TS
1/29/14	Added motor port power support	TS
6/11/14	Added door decal P/N's	TS
6/24/14	Changed Drop-side HVAC	TS
7/17/14	Added HVAC group	TS
3/3/15	Added note about the black finish changing	TS
5/6/15	Added 3 parts to Page 5-4 (ECR 111244), changed steering wheel	TS

MEGA PARTS MANUAL
SECTION 1
ENGINE and ELECTRICAL

DC ENGINE COMPONENTS - MEGA

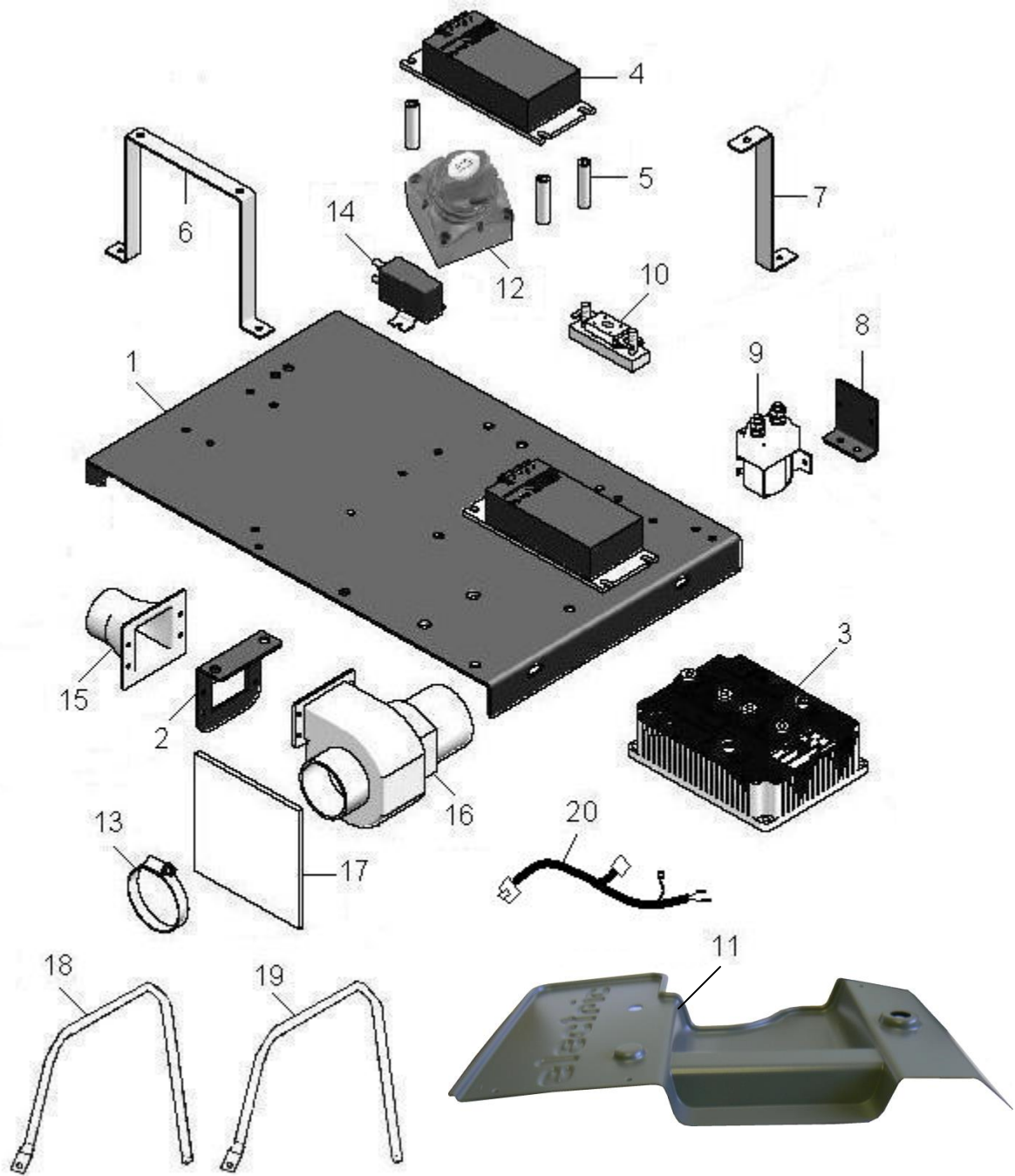


ITEM	CPC P/N	DESCRIPTION	QTY	SEATS P/N
1	72400-08	MOTOR 48V	1	759929
2	72401-08	COOLING FAN SUPPORT	1	759942
3	72403-08	THROTTLE PEDAL RETURN SPRING	1	760026
4	72406-08	ENGINE MOUNT	3	760025
5	72408-09	ENGINE SUPPORT FRAME	1	309786
6	72409-08	INLET AIR HOSE	1	467646
7	72460-08	AXLE, 8.41:1	1	760037
8	74884-04	** SPEED SENSOR KIT (Includes Item 9)	1	719446
9	*	** MAGNET	1	N/A
10	*	** COMMUTATOR END HEAD	1	N/A
11	*	** HEAD BAND	1	N/A
12	83310-07	BEARING	1	759896
13	*	RETAINING RING	1	N/A
14	30402-06	** BRUSH ASSY.	2	759780
15	30403-06	** BRUSH BOX ASSY.	1	759781
16	*	MOTOR FRAME	1	N/A
17	*	** POLE SHOE ASSY.	4	N/A
18	*	** SHUNT COIL ASSY	1	N/A
19	*	ARMATURE ASSY.	1	N/A
20	69301-04	MOTOR, COMPLETE (Includes Items 8-19)	1	719339

* SPECIAL ORDER

** ITEM INCLUDES ALL NECESSARY HARDWARE

DC POWER PARTS - MEGA

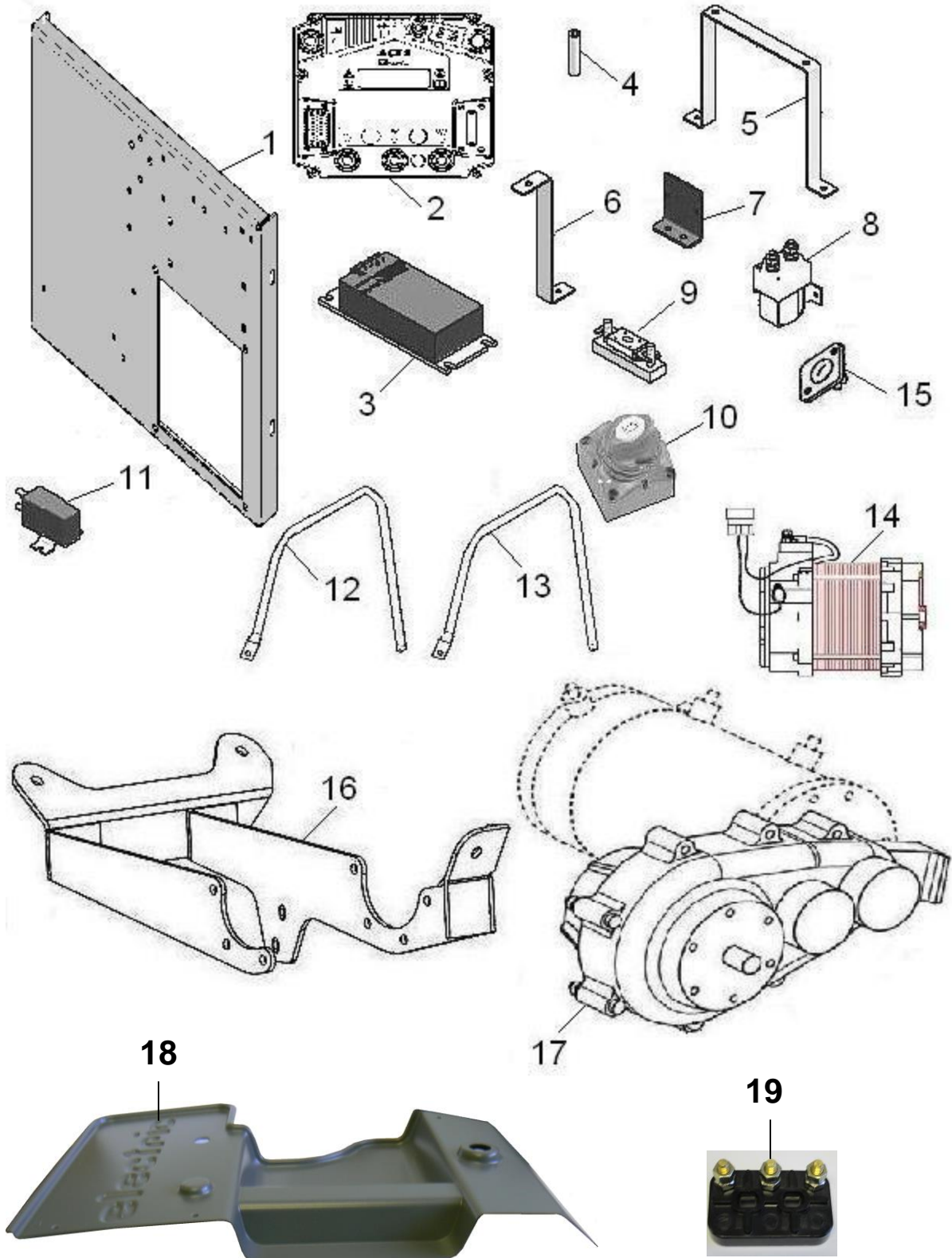


DC POWER PARTS - MEGA Cont.

ITEM	CPC P/N	DESCRIPTION	QTY	SEATS P/N
1	72422-08	TRAY, ELECTRICAL COMP.	1	512467
2	72423-08	SUPPORT, FAN	1	512748
3	47895-05A	CONTROLLER, SEVCON REGEN, SEPEX, 24-48V (Programmed 760576)	1	467696
4	69642-05	DC/DC CONVERTER, 36/48V, 13.4V FUSED	1	760378
5	72424-08	SPACER, NYLON, 2"L X .5 OD X .266 ID	3	781421
6	72425-08	SUPPORT, FRONT, ELECTRICAL TRAY COVER	1	512751
7	72426-08	SUPPORT, REAR, ELECTRICAL TRAY COVER	1	512750
8	72427-08	BRACKET, CONTACTOR, MAIN	1	512491
9	71466-02	CONTACTOR, SINGLE - 48V COIL	1	709590
10	72474-13	FUSE HOLDER	1	760887
10A	72430-12	300 AMP FUSE	1	760788
11	72439-08	COVER, ELECTRICAL COMPONENTS	1	760153
12	72429-08	SWITCH, MASTER DISCONNECT	1	760561
13	9992	CLAMP, #36 HOSE	1	719617
14	72431-08	CONT, SW60, 48V COIL	1	760008
15	72432-08	COOLING FAN BRACKET	1	309547
16	72433-08	MOTOR COOLING FAN	1	760030
17	72434-08	FILTER, FOAM, MOTOR FAN	1	467620
18	72442-08	SUPPORT, ELECTRICAL COMPONENTS, L/H	1	309650
19	72443-08	SUPPORT, ELECTRICAL COMPONENTS R/H		309649
20	72900-11	HARNESS, ENCODER ADAPTER	1	760560
21*	70351-88	CABLE, CONTACTOR TO CONTROL B+	1	709600
22*	70099-88	CABLE, MAIN FUSE TO MAIN CONTACTOR	1	709004
23*	70105-89	CABLE, BATTERY 48V(-) TO CONTROL B-	1	709411
24*	72435-08	CABLE, MAIN DISCONNECT SWITCH TO MAIN FUSE	1	760144
25*	72436-08	CABLE, MAIN DISCONNECT SWITCH TO BATTERY 48V(+)	1	760145
26*	70105-88	CABLE, A1 MOTOR TO M1 CONTROLLER	1	709019
27*	70112-95	CABLE, A2 MOTOR TO M2 CONTROLLER	1	709732
28*	72437-08	CABLE, F1 MOTOR TO F1 CONTROLLER	1	760147
30*	72438-08	CABLE, F2 MOTOR TO F2 CONTROLLER	1	760146
31*	72393-10	HARNESS, MAIN	1	760123

* NOT SHOWN

AC ENGINE/POWER PARTS MEGA



AC ENGINE/ POWER PARTS MEGA (Cont.)

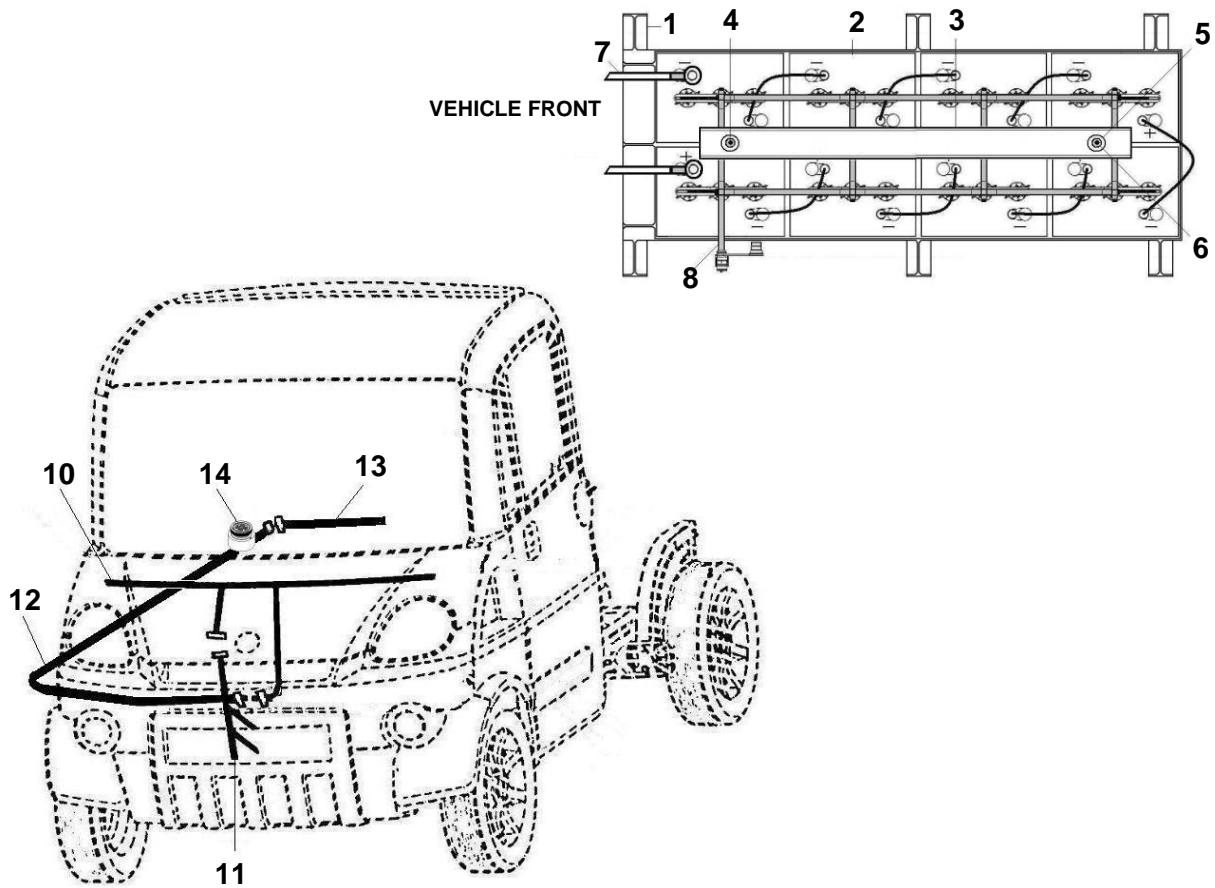
ITEM	CPC P/N	DESCRIPTION	QTY	SEATS P/N
1	72808-12	TRAY, ELECTRICAL COMP. ZAPI AC	1	513447
2	47897-14	CONTROLLER, AC 450A-T (Programed 760571 with instructions)	1	192656U
3	69642-05	DC/DC CONVERTER, 36/48V, 13.4V FUSED	1	760378
4	72424-08	SPACER, NYLON, 2"L X .5 OD X .266 ID	3	781421
5	72425-08	SUPPORT, FRONT, ELECTRICAL TRAY COVER	1	512751
6	72426-08	SUPPORT, REAR, ELECTRICAL TRAY COVER	1	512750
7	72427-08	BRACKET, CONTACTOR, MAIN	1	512491
8	71466-02	CONTACTOR, SINGLE - 48V COIL	1	709590
9	72474-13	FUSE HOLDER	1	760887
9A	72430-12	300 AMP FUSE	1	760788
10	72429-08	SWITCH, MASTER DISCONNECT	1	760561
11	72431-08	CONTACTOR, SW60, 48V COIL	1	760008
12	72442-08	SUPPORT, ELECTRICAL COMPONENTS, L/H	1	309650
13	72443-08	SUPPORT, ELECTRICAL COMPONENTS R/H	1	309649
14	39100-10	MOTOR, 5KW AC	1	760569
15	72406-08	ENGINE MOUNT	3	760025
16	724408-09	ENGINE SUPPORT FRAME	1	309786
17	72460-08	AXLE, 8.41:1	1	760037
18	72439-08	COVER, ELECTRICAL COMPONENTS	1	760153
19	39101-14	SUPPORT, PORT POWER AC (Item 14 replacement part)	1	761053
20*	70351-88	CABLE, CONTACTOR TO CONTROL B+	1	709600
21*	70099-88	CABLE, MAIN FUSE TO MAIN CONTACTOR	1	709004
22*	70105-89	CABLE, BATTERY 48V(-) TO CONTROL B-	1	709411
23*	72435-08	CABLE, MAIN DISCONNECT SWITCH TO MAIN FUSE (See Note)	1	760144
24*	72436-08	CABLE, MAIN DISCONNECT SWITCH TO BATTERY 48V(+)	1	760145
25*	69610-10	CABLE, MOTOR, AC DRIVE 25.5"	3	760704
26*	72393-10	HARNESS, MAIN	1	760123

* NOT SHOWN

NOTE:

Vehicles with a 300 amp fuse will have this cable replaced with a 12" cable, P/N 70207-13.

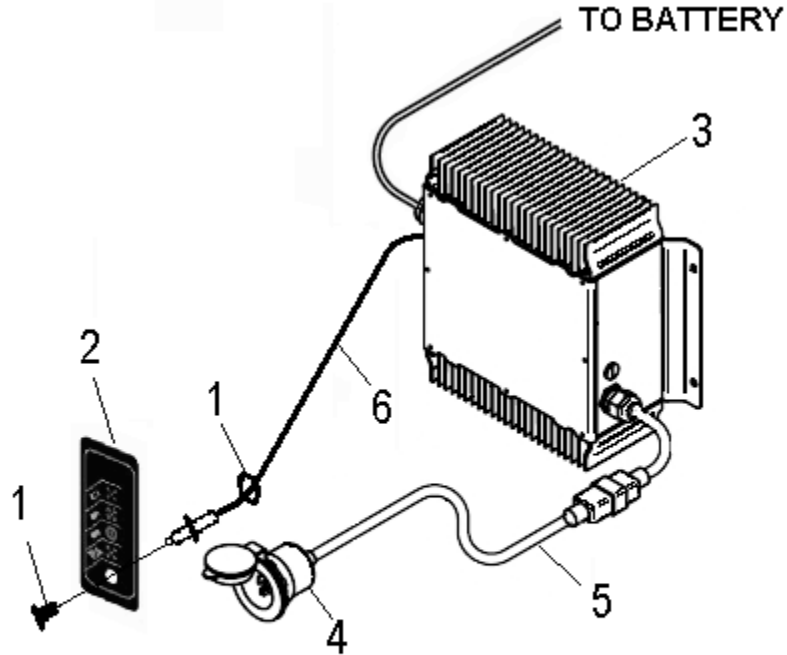
BATTERY and WIRE HARNESSSES - MEGA



ITEM	CPC P/N	DESCRIPTION	QTY	SEATS P/N
1	72444-08	BATTERY TRAY	1	309201
2	66014-03	BATTERY, 6V, DEEP CYCLE (US2200)	8	719229
2A	66005-03	BATTERY, 6V, DEEP CYCLE (US 145)	8	719231
2B	72445-08	BATTERY, 6V, DEEP CYCLE (AGM GC2)	8	759863
3	47711-98A	BATTERY HOLD DOWN	1	709196
4	66561-90A	ROD, BATTERY HOLD DOWN	2	709059
5	6256	WASHER, FLT STAINLESS .28X1.375X.06	2	719786
6	7680	NUT ¼-20 NE 316 STAINLESS NYLON	2	719876
7	70099-88	CABLE, 4GAX8.75, 5/16" TERM	2	709004
8	66210-07	BATTERY WATERING SYSTEM	1	759857
9*	66211-07	HAND PUMP, BATTERY WATERING SYSTEM	1	759858
10	72777-08	DASHBOARD HARNESS	1	760167
11	72778-08	FRONT HARNESS	1	760168
12	72779-08	REAR HARNESS	1	760109
13	72780-08	LICENSE LIGHT ASSY NON-VAN	1	467592
14	71419-10	REVERSE ALARM	1	759790
15*	72781-08	REVERSE LIGHT HARNESS	1	760303
16*	66582-11	CHARGER DELTA Q 48V (AGM Battery ALG 42)	1	467533

* NOT SHOWN

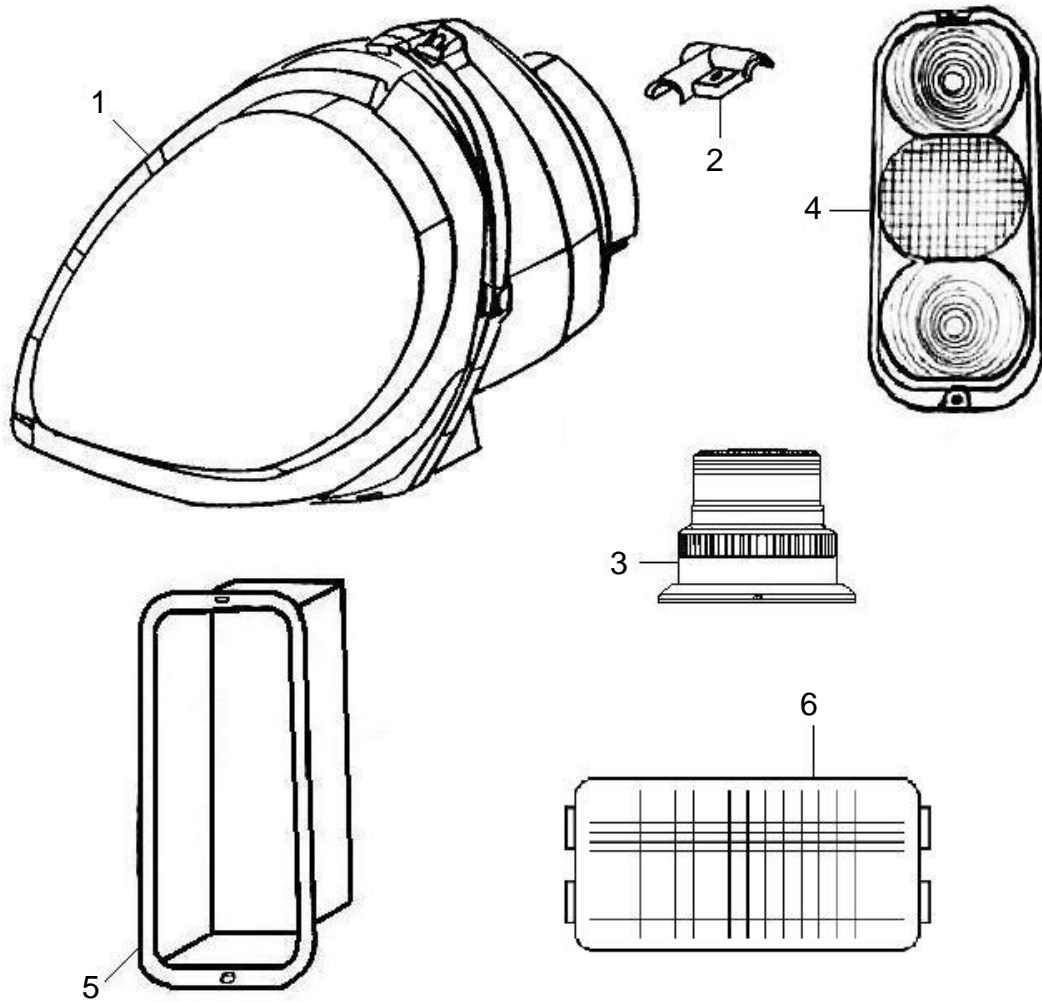
DELTA Q CHARGER WITH REMOTE LED – MEGA



**LED & LABEL POSITION WILL BE LOCATED
ADJACENT TO THE CHARGER AC RECEPTICLE**

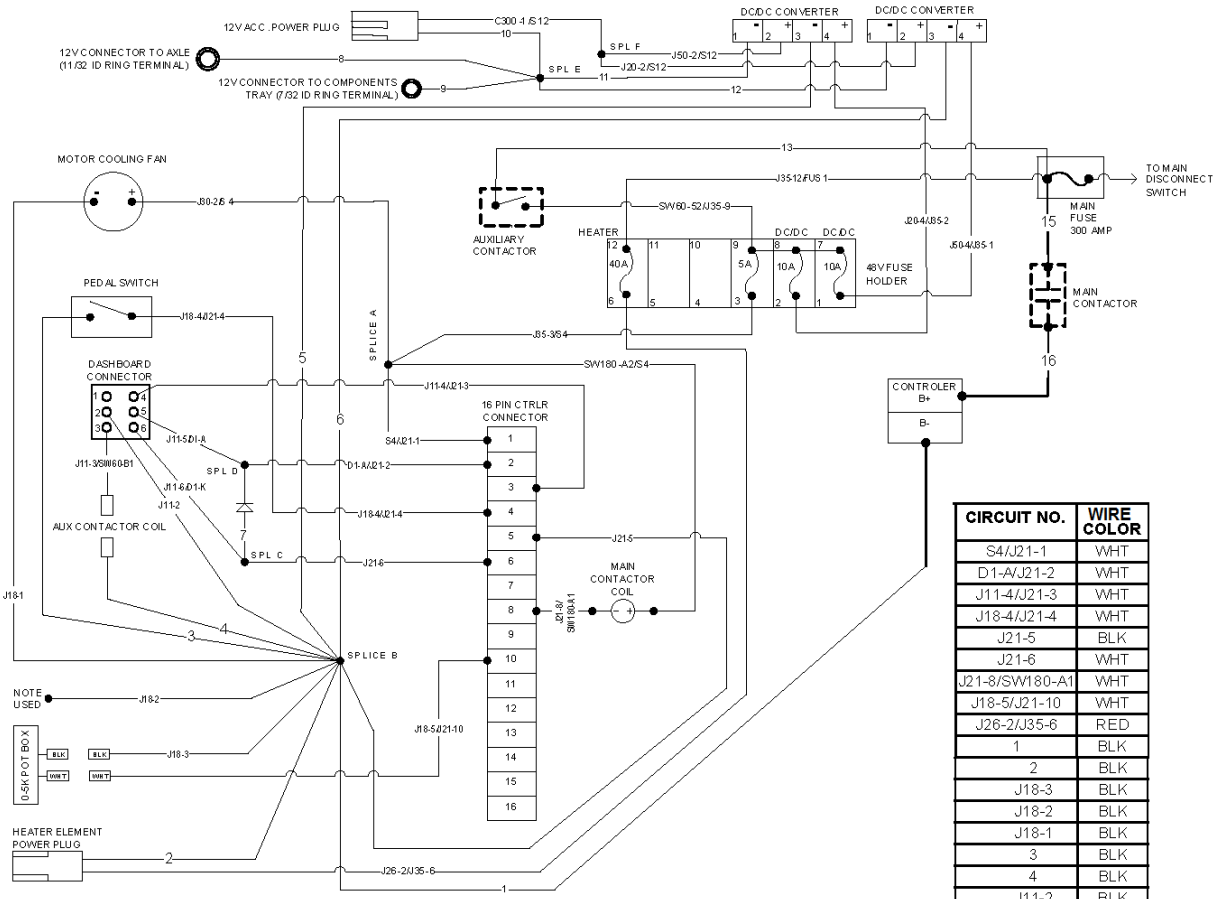
ITEM	CPC P/N	DESCRIPTION	QTY	SEATS P/N
1	9951	CR-174 CLIP & RING	1	781989
2	66584-12	LED FRONT LABEL	1	760754
3	66583-12	CHARGER, DELTA Q 48V W/LED, STANDARD	1	760742
3A	66582-12	CHARGER, DELTA Q 48V W/LED, AGM	1	467533
4	66034-02	PLUG, POWER INLET 120V SEALED	1	709558
5	66493-03	CHARGER CORD 6'	1	719264
6	66029-12	LED 25' CABLE	1	760817
N/A	70036-05	ASSEMBLY, CORD W/ RECEPTACLE (Includes Item 4 & 5)	1	467405

LIGHTS - MEGA



ITEM	CPC P/N	DESCRIPTION	QTY	SEATS P/N
1	72755-08	L/H HEADLIGHT	1	760111
1A	72756-08	R/H HEADLIGHT	1	760112
2	72757-08	L/H HEADLIGHT BRACKET	1	759959
2A	72758-08	R/H HEADLIGHT BRACKET	1	759960
3	68029-06	STROBE LIGHT, AMBER	1	467408
4	72759-08	TAIL LIGHT	2	760106
5	72760-08	TAIL LIGHT BOX	2	760235
6	72751-08	LIGHT, LICENSE PLATE	1	760315

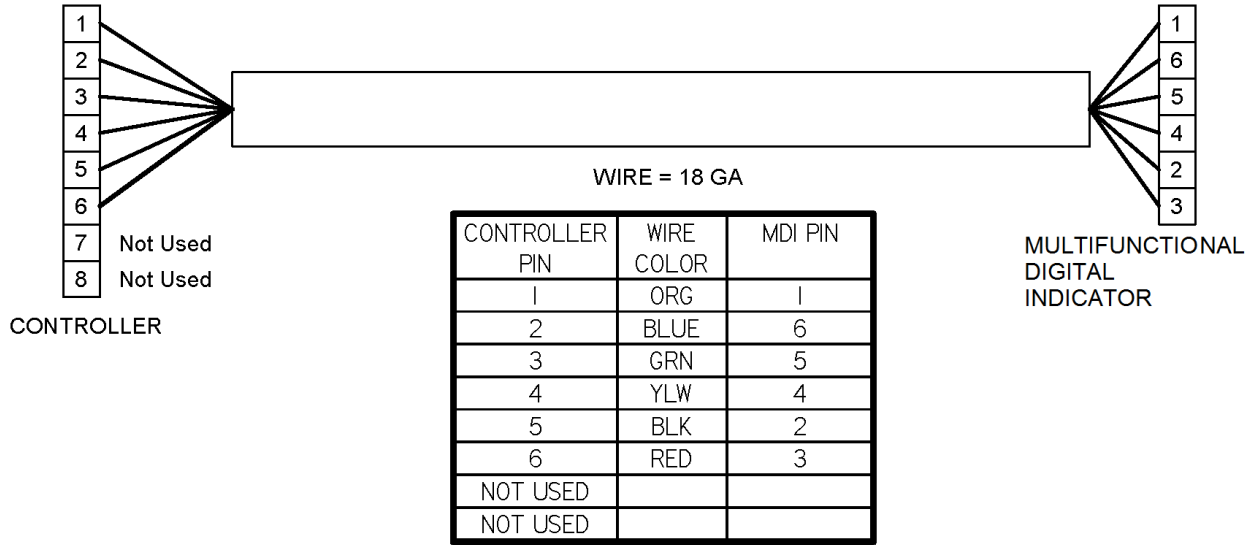
MAIN HARNESS SCHEMATIC – MEGA P/N 72393-10



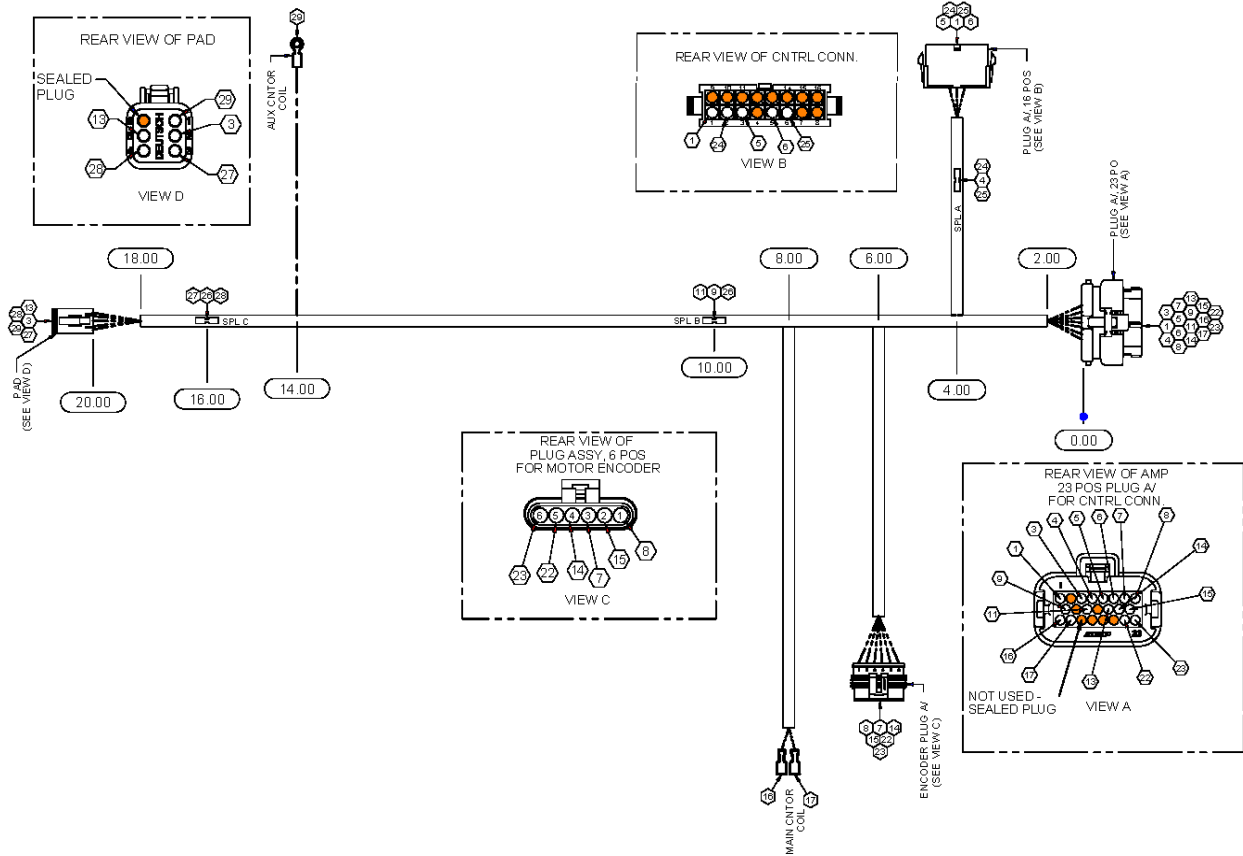
CIRCUIT NO.	WIRE COLOR
S4/J21-1	WHT
D1-A/J21-2	WHT
J11-4/J21-3	WHT
J18-4/J21-4	WHT
J21-5	BLK
J21-6	WHT
J21-8/SW180-A1	WHT
J18-5/J21-10	WHT
J26-2/J35-6	RED
1	BLK
2	BLK
J18-3	BLK
J18-2	BLK
J18-1	BLK
3	BLK
4	BLK
J11-2	BLK
5	BLK
6	BLK
J11-6/D1-K	WHT
7	BLK
J11-5/D1-A	WHT
J11-3/SW60-B1	WHT
SW180-A2/S4	WHT
J35-3/S4	WHT
J30-2/S4	WHT
8	BLK
9	BLK
10	BLK
C300-1/S12	RED
J50-2/S12	RED
J20-2/S12	RED
11	BLK
12	BLK
13	BLK
J20-4/J35-2	RED
J50-4/J35-1	RED
J35-12/FUS1	RED
SW60-52/J35-9	RED

CONTROLLER PIN DESCRIPTION	
1	KSI INPUT
2	FWD
3	REVERSE
4	PEDAL SWITCH
5	SEAT
6	CUTBACK
7	NOT USED
8	MAIN CONTACTOR NEG
9	NOT USED
10	PEDAL SIGNAL
11	NOT USED
12	NOT USED
13	NOT USED
14	NOT USED
15	NOT USED
16	NOT USED

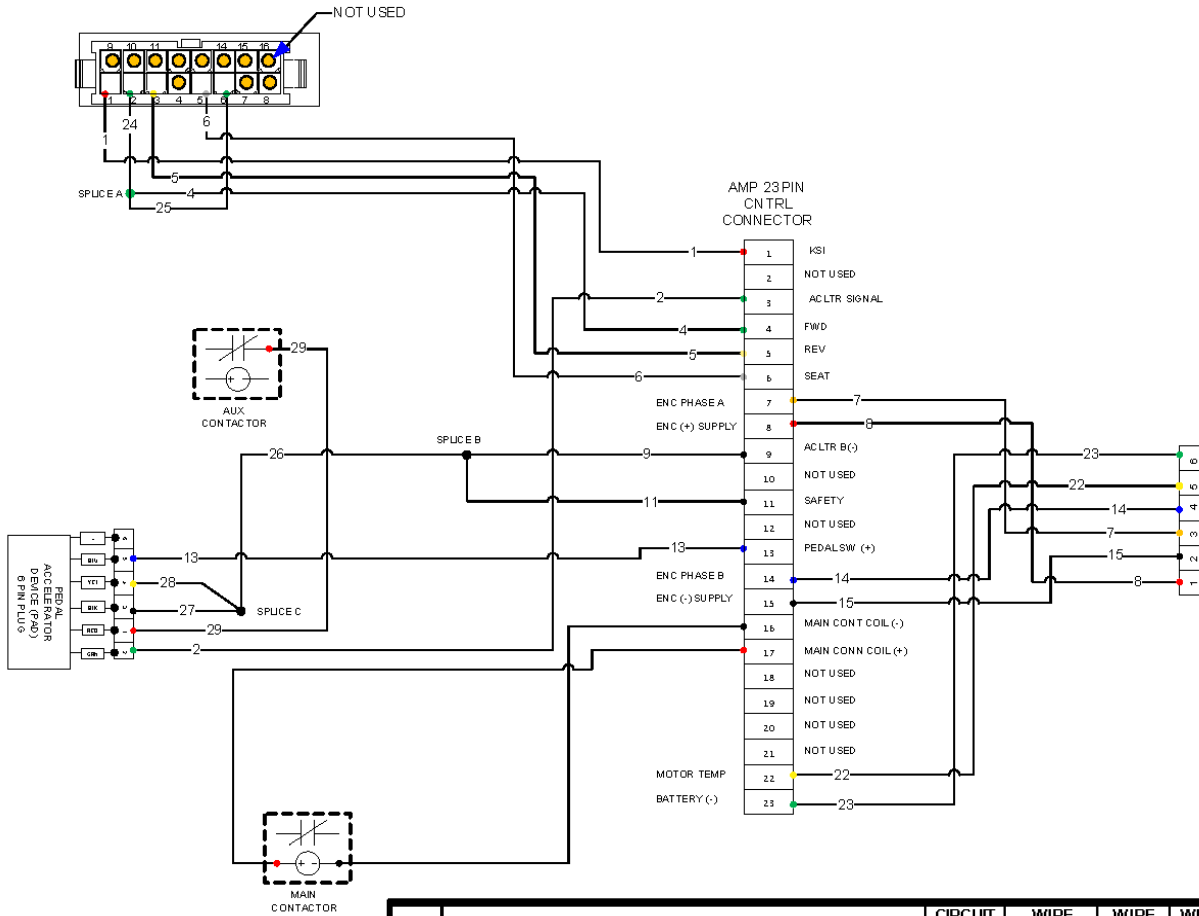
HARNESS CONTROLLER to MDI P/N 72396-12



AC CONTROLLER ADAPTER HARNESS – MEGA P/N 72395-12



AC CONTROLLER ADAPTER HARNESS – MEGA (Cont.) P/N 72395-12



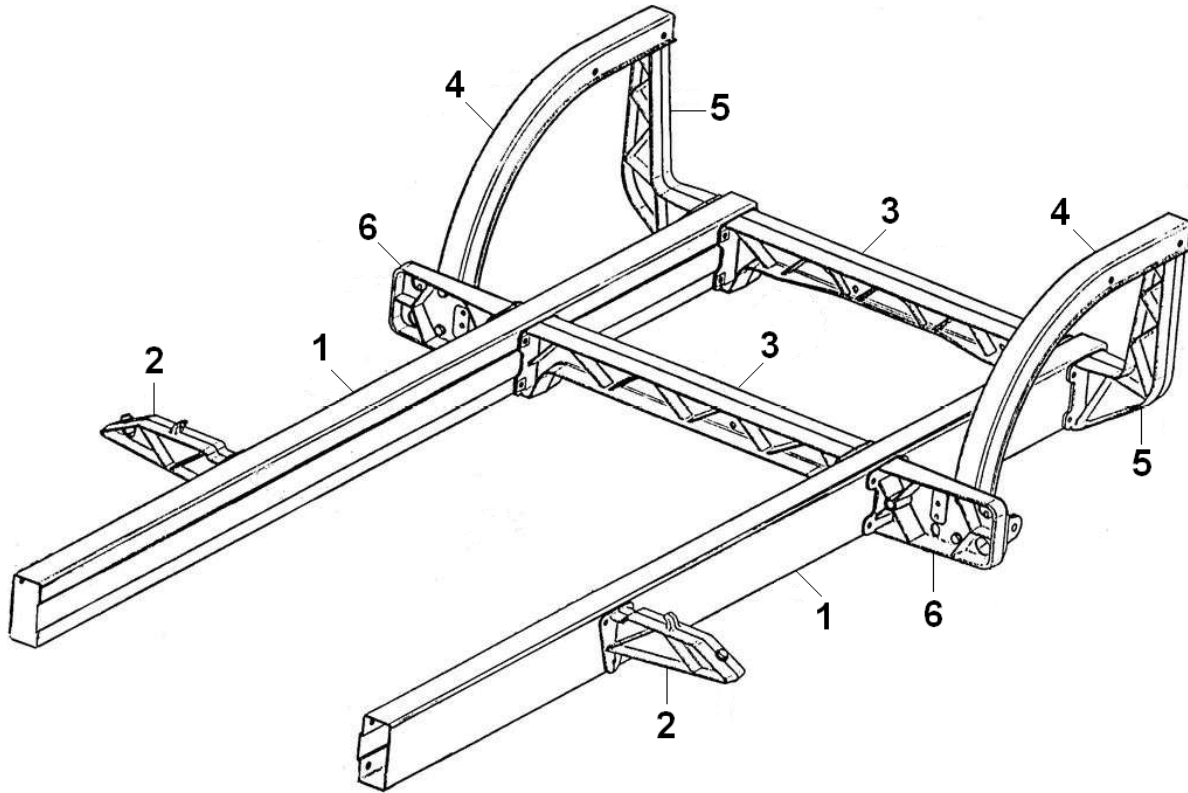
ITEM	DESCRIPTION	CIRCUIT NO.	WIRE LENGTH*	WIRE COLOR	WIRE GAGE
1	POWER INPUT: CONN PIN 1 OF 23 POS PLUG TO CONN PIN 1 OF 16 POS PLUG	1	10.00	RED	18
2	PEDAL SIGNAL: CONN PIN 3 OF 23 POS PLUG TO PAD PLUG PIN 2	3	20.00	GRN	18
3	FWD: CONN PIN 4 OF 23 POS PLUG TO SPLICE A	4	6.00	GRN	18
4	REV: CONN PIN 5 OF 23 POS PLUG TO CONN PIN 3 OF 16 POS PLUG	5	10.00	YLW	18
5	SEAT SWITCH: CONN PIN 6 OF 23 POS PLUG TO CONN PIN 5 OF 16 POS PLUG	6	10.00	GRY	18
6	ENC PHASE A: CONN PIN 7 OF 23 POS PLUG TO ENCODER PLUG PIN 3	7	12.00	WHT	18
7	ENC (+VE) SUPPLY: CONN PIN 8 OF 23 POS PLUG TO ENCODER PLUG PIN 1	8	12.00	RED	18
8	PEDAL B (-VE): CONN PIN 9 OF 23 POS PLUG TO SPLICE B	9	10.00	BLK	18
9	SAFETY IN: CONN PIN 11 OF 23 POS PLUG TO SPLICE B	11	10.00	BLK	18
10	PEDAL SW (+VE): CONN PIN 13 OF 23 POS PLUG TO PAD PLUG PIN 5	13	20.00	BLU	18
11	ENC PHASE B: CONN PIN 14 OF 23 POS PLUG TO ENCODER PLUG PIN 4	14	12.00	BLU	18
12	ENC (-VE) SUPPLY: CONN PIN 15 OF 23 POS PLUG TO ENCODER PLUG PIN 2	15	12.00	BLK	18
13	MAIN CNTOR COIL (-VE): CONN PIN 16 OF 23 POS PLUG TO MAIN COIL (-VE)	16	24.00	RED	18
14	MAIN CNTOR COIL (+VE): CONN PIN 17 OF 23 POS PLUG TO MAIN COIL (+VE)	17	24.00	BLK	18
15	MOTOR TEMP: CONN PIN 22 OF 23 POS PLUG TO MOTOR ENCODER PIN 5	22	12.00	YLW	18
16	BTRY (-VE): CONN PIN 23 OF 23 POS PLUG TO MOTOR ENCODER PIN 6	23	12.00	GRN	18
17	FWD: SPLICE A TO CONN PIN 2 OF 16 POS PLUG	24	4.00	GRN	18
18	FWD HIGH: SPLICE A TO CONN PIN 6 OF 16 POS PLUG	25	4.00	GRN	18
19	SPLICE B TO SPLICE C	26	6.00	BLK	18
20	SPLICE C TO PAD PLUG PIN 3	27	4.00	BLK	18
21	SPLICE C TO PAD PLUG PIN 4	28	4.00	YLW	18
22	PAD PLUG PIN 1 TO AUX CNTOR COIL	29	20.00	RED	18

MEGA PARTS MANUAL

SECTION 2

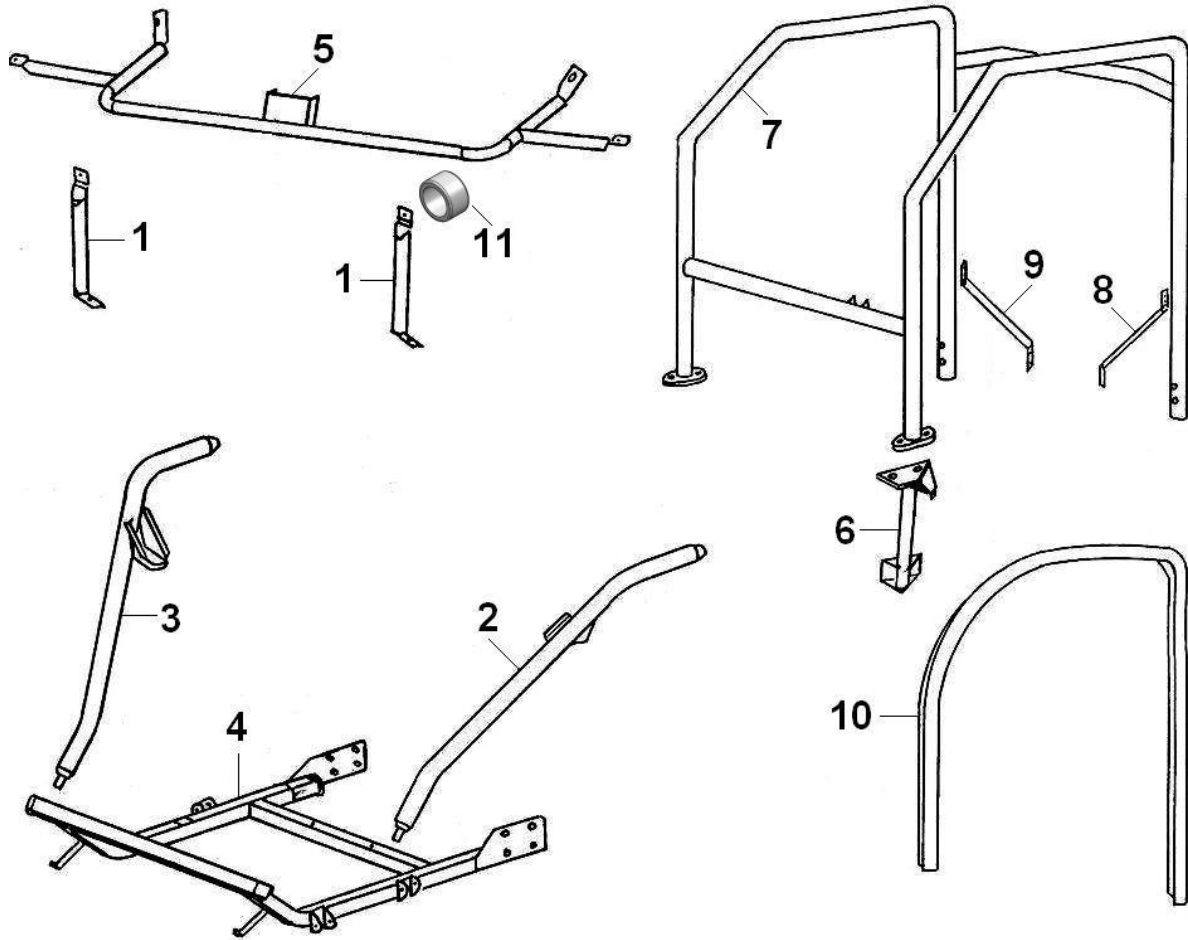
BODY

CHASSIS



ITEM	CPC P/N	DESCRIPTION	QTY	SEATS P/N
1	72550-08	CHASSIS LEG LONG	2	759989
2	72551-08	CABIN REAR SUPPORT OUTRIGGER	2	760071
3	72552-08	CENTRAL AND REAR CROSSMEMBER	2	760072
4	72553-08	UPPER REAR SUPPORT	2	760113
5	72554-08	REAR ARCH OUTRIGGER SUPPORT	2	760074
6	72555-08	REAR OUTRIGGER SUPPORT	2	760073

CHASSIS SUPPORT



ITEM	CPC P/N	DESCRIPTION	QTY	SEATS P/N
1	72557-08	HEADLIGHT BRACKET, BAR	2	513001
2	72558-08	FRONT SUPPORT L/H	1	760004
3	72559-08	FRONT SUPPORT R/H	1	760003
4	72493-13	ENGINE FRAME (SEE NOTE)	1	467950
5	72561-08	BUMPER SUPPORT BAR	1	760092
6	72562-08	CONNECTOR MEMBER ARCH BRACKET L/H	1	760006
6A	72563-08	CONNECTOR MEMBER ARCH BRACKET R/H	1	760007
7	72564-08	CABIN FRAME LHD	1	760097
7A	*	CABIN FRAME RHD	1	760627
8	72782-08	CABIN SUPPORT L/H	1	309651
9	72565-08	CABIN SUPPORT R/H	1	309652
10	72566-08	CAB DOOR FRAME L/H	1	760099
10A	72567-08	CAB DOOR FRAME R/H	1	760098
11	72568-08	SPACER, HEADLIGHT	2	512989

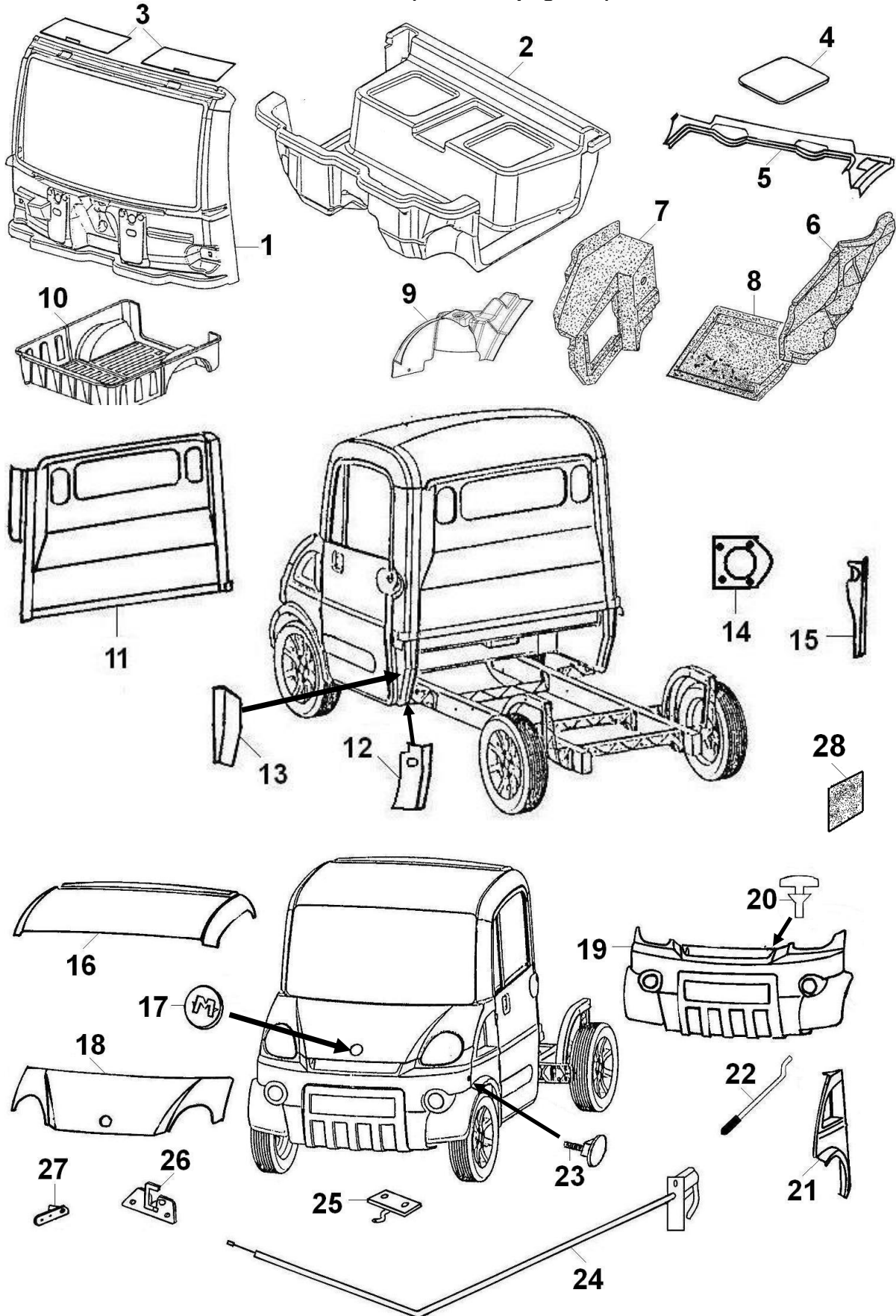
NOTE: This applies to vehicle having an 8 or 9 as the 10th VIN digit. If replacing Item 4 also order the following parts:

781473*, SCREW, M10-1.5X50MM, HHCS, 2 ea.
708636SP, SCREW, 1/4-14X1, HWH, TEK, 12 ea.

7266, WASHER 1/4X1, FENDER, 12 ea.

* SPECIAL ORDER

FRONT (See Note page 2-4)



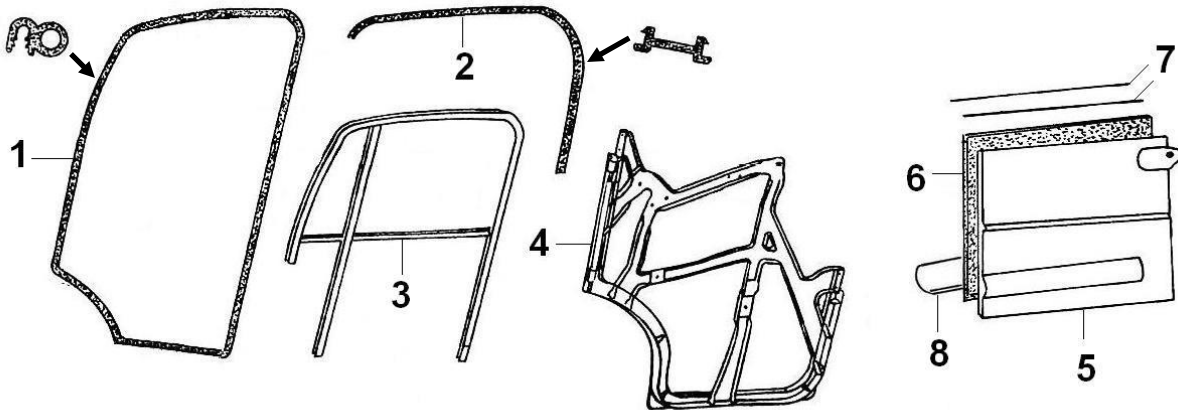
FRONT (Cont.)

ITEM	CPC P/N	DESCRIPTION	QTY	SEATS P/N
1	72569-08	CABIN FRONT PANEL – See NOTE	1	760129
2	72783-08	FRONT PLATFORM LHD – See NOTE	1	760093
2A	*	FRONT PLATFORM RHD – See NOTE	1	760626
3	72570-08	SUN VISOR WITH MAP POUCH	1	760290
4	72571-08	CAB FLOOR R/H	2	512931
5	72572-08	DASH FRONT PANEL – See NOTE	2	760086
6	72573-08	SOUND PANEL INNER WING L/H	1	760095
7	72574-08	SOUND PANEL INNER WING R/H	1	760094
8	72575-08	LOWER SOUND PANEL	1	512993
9	72576-08	L/H/F WING CAPPING PANEL – See NOTE	1	760087
9A	72577-08	R/H/F WING CAPPING PANEL – See NOTE	1	760088
10	72579-08	REAR TRAY. LONG, -D (N), -T(N), -C(N)	1	760293
10A	72580-08	REAR TRAY. POLYESTER, -V(N)	1	760298
11	72597-08	CAB REAR PANEL – See NOTE	1	760096
12	72599-08	PANEL LEFT CAB – See NOTE	1	760079
12A	72598-08	RIGHT REAR WING – See NOTE	1	760078
13	72600-08	TRIM PANEL LEFT	1	760155
13A	72601-08	TRIM PANEL RIGHT	1	760156
14	72602-08	PLATE, CHARGER CABLE	1	512445
15	72603-08	L/H EXTENSION DGRABBET – See NOTE	1	760157
15A	72604-08	R/H EXTENSION DGRABBET – See NOTE	1	760158
16	72581-08	CAB ROOF – See NOTE	1	760128
17	84206-93	DECAL, DOMED EAGLE LOGO	1	749633
18	72593-08	HOOD, RED – See NOTE	1	467578
18A	72594-08	HOOD, SILVER – See NOTE	1	467579
18B	72595-08	HOOD, BLUE – See NOTE	1	467580
18C	72596-08	HOOD, WHITE – See NOTE	1	467581
19	72582-08	FRONT BUMPER – See NOTE	1	760081
20	72592-08	HOOD BUMPER	2	760080
21	72584-08	R/H FRONT WING – See NOTE	1	760077
21A	72583-08	L/H FRONT WING – See NOTE	1	760076
22	72586-08	HOOD PROP ROD	1	513000PL
23	72585-08	FRONT BUMPER FASTENER	2	759949
24	72589-08	HOOD RELEASE CABLE	1	759950
25	72587-08	HOOD LOCK HOOK	1	759962
26	72588-08	HOOD CATCH	1	760066
27	72590-08	HOOD HINGE L/H	1	759955
27A	72591-08	HOOD HINGE R/H	1	759956
28	72578-08	SOUND PLATE R/H	1	512932
**	8698	BUMPER RIVETS	1	719948
**	53408-09	COLUMBIA DECAL	1	712094
**	46930-02	LABEL , OPERATING RESTRICTIONS	1	511633

* SPECIAL ORDER ** NOT SHOWN

NOTE: Many of the body components must be secured with an adhesive sealant. Order P/N 72800-13 which is an 8 1/2" tube containing 10.3 oz. (305 ml). A tube will cover approximately 12'. Prior to use of the adhesive, components must be treated with a primer such as Sika Primer 215 (obtain locally).

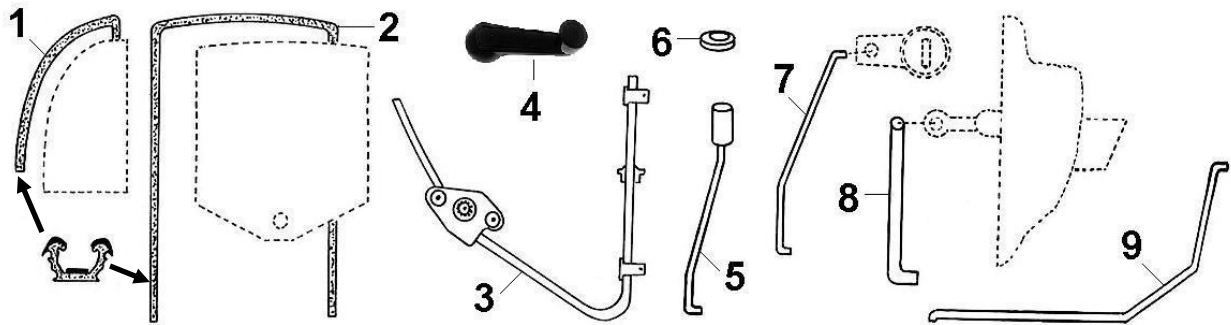
DOOR PANEL



ITEM	CPC P/N	DESCRIPTION	QTY	SEATS P/N
1	72605-08	LEFT MAIN CAB DOOR SEAL	1	467625
1A	72606-08	RIGHT MAIN CAB DOOR SEAL	1	467625
2	72614-08	CAB DOOR TOP SEAL	2	760203
3	72608-08	L/H CAB DOOR UPPER FRAME	1	760502
3A	72607-08	R/H CAB DOOR UPPER FRAME	1	760501
4	72609-08	L/H CAB DOOR LOWER FRAME	1	760503
4A	72610-08	R/H CAB DOOR LOWER FRAME	1	760504
5	72616-08	DOOR PANEL, RH OUTER, WHITE	1	760349
5	72617-08	DOOR PANEL, RH OUTER, BLUE	1	760345
5	72618-08	DOOR PANEL, RH OUTER, RED	1	760185
5	72619-08	DOOR PANEL, RH OUTER, GRAY	1	760347
5A	72620-08	DOOR PANEL, LH OUTER, WHITE	1	760348
5A	72621-08	DOOR PANEL, LH OUTER, BLUE	1	760343
5A	72622-08	DOOR PANEL, LH OUTER, RED	1	760184
5A	72623-08	DOOR PANEL, LH OUTER, GRAY	1	760346
6	72611-08	R/H INNER DOOR PANEL	1	760187
6A	72612-08	L/H INNER DOOR PANEL	1	760186
7	72613-08	CAB DOOR SEAL	4	760505
8	72615-08	GLOVE TRAY, BLACK	1	760188
9*	53046-10	DECAL, DOOR SILVER L & R (Used with blue)	1	712095
10*	53047-10	DECAL, DOOR BLACK L & R (Used with red & white)	1	712096

* NOT SHOWN

DOOR – WINDOW MECHANISM



ITEM	CPC P/N	DESCRIPTION	QTY	SEATS P/N
1	72624-08	QUARTER GLASS DOOR SEAL	2	760506
2	72625-08	DROP DOOR GLASS	2	760507
3	72627-08	L/H WINDOW WINDER	1	760197
3A	72626-08	R/H WINDOW WINDER	1	760198
4	72628-08	WINDOW WINDER HANDLE (Includes clip)	2	760205
5	72630-08	INTERIOR DOOR LOCK BUTTON L/H	1	760194
5A	72629-08	INTERIOR DOOR LOCK BUTTON R/H	1	760193
6	72631-08	INNER DOOR LOCK GROMMET	2	759966
7	72632-08	L/H BARREL TO LOCK ROD	1	759967
7A	72633-08	R/H BARREL TO LOCK ROD	1	759968
8	72634-08	DOOR LOCK ROD, SHORT L/H	1	759976
8A	72635-08	DOOR LOCK ROD, SHORT R/H	1	759977
9	72636-08	DOOR LOCK ROD, LONG	2	759974

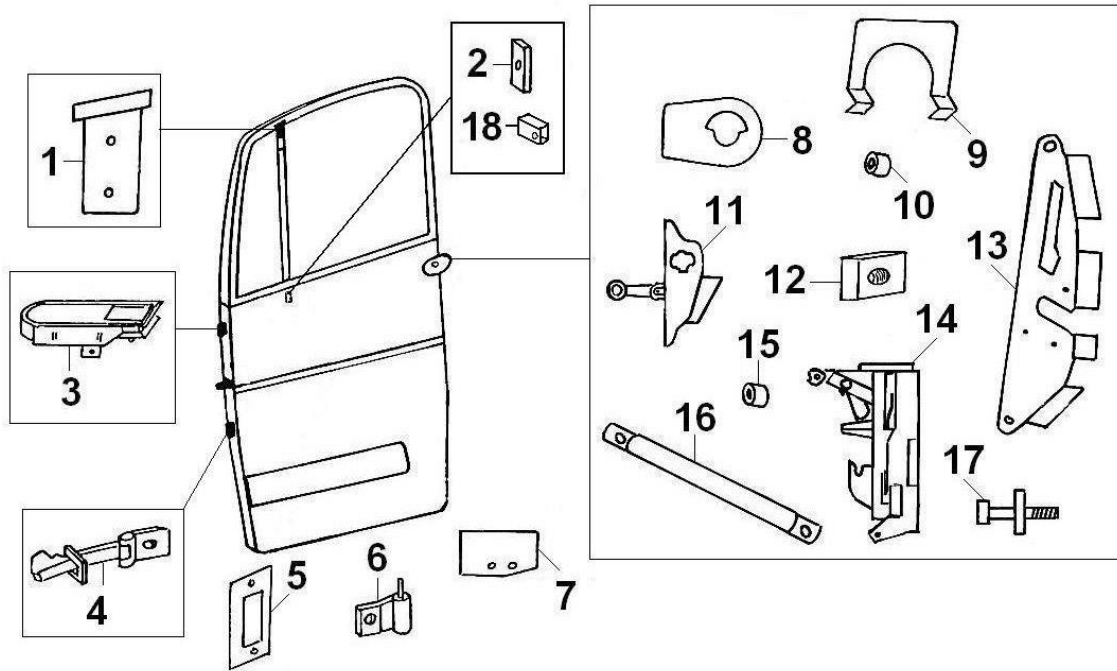
COMPLETE DOORS

ITEM	CPC P/N	DESCRIPTION	QTY	SEATS P/N
*	**	DOOR ASSEMBLY, COMPLETE LH RED	1	467552
*	**	DOOR ASSEMBLY, COMPLETE RH RED	1	467553
*	**	DOOR ASSEMBLY, COMPLETE LH BLUE	1	467554
*	**	DOOR ASSEMBLY, COMPLETE RH BLUE	1	467555
*	**	DOOR ASSEMBLY, COMPLETE LH WHITE	1	467556
*	**	DOOR ASSEMBLY, COMPLETE RH WHITE	1	467557

* NOT SHOWN

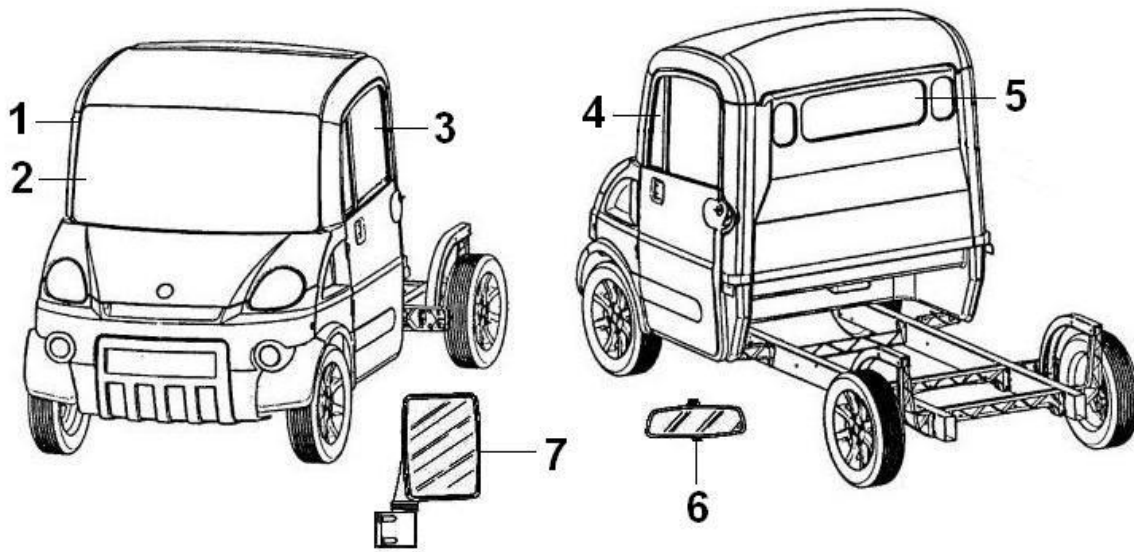
** SPECIAL ORDER

DOOR – LOCK MECHANISM



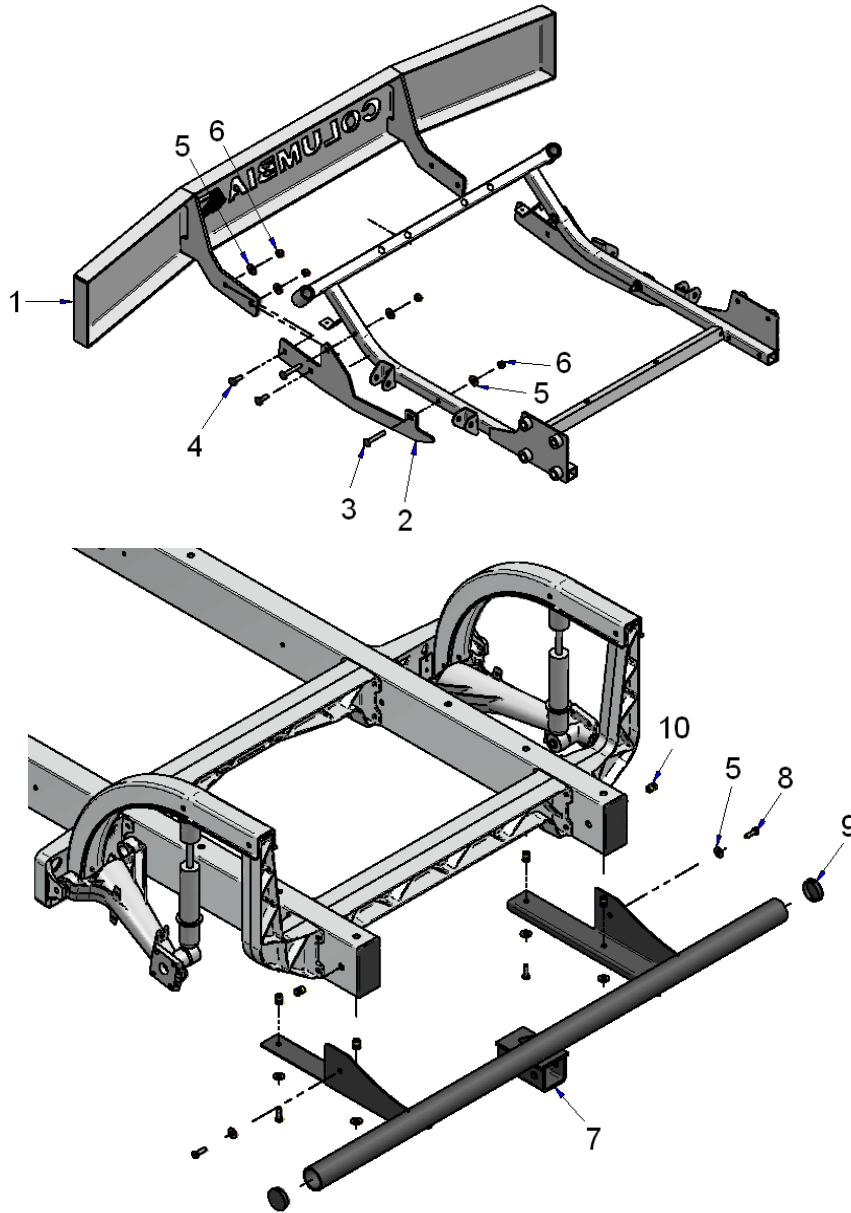
ITEM	CPC P/N	DESCRIPTION	QTY	SEATS P/N
1	72637-08	MOUNTING BRACKET R/H	1	760508
1A	72638-08	MOUNTING BRACKET L/H	1	760509
2	72639-08	PLATE	2	760510
3	72643-08	INNER DOOR HANDLE	2	760179
4	72640-08	CHECK LINK	2	760196
5	72790-08	DOOR HINGE SHIM	2	513370
6	72641-08	CAB DOOR HINGE FIXED. RIGHT	2	760182
6A	72642-08	CAB DOOR HINGE FIXED. LEFT	2	760183
7	72648-08	PLATE, INNER CAB HANDLE MOUNTING	2	512912
8	72645-08	PLATE, DOOR L/H	1	759963
8A	72646-08	PLATE, DOOR R/H	1	759964
9	72647-08	KEY BARREL FIXING CLIP	2	759965
10	72658-08	SLEEVE	2	760204
11	72649-08	L/H OUTER DOOR HANDLE	1	760180
11A	72650-08	R/H OUTER DOOR HANDLE	1	760181
12	72644-08	SQUARE NUT, OUTER DOOR HANDLE	2	760511
13	72656-08	L/H DOOR LOCK SUPPORT	1	759979
13A	72657-08	R/H DOOR LOCK SUPPORT	1	759980
14	72651-08	L/H DOOR LOCK	1	760190
14A	72652-08	R/H DOOR LOCK	1	760191
15	72654-08	SPACER .252" (ID) X .591" (OD)	2	759978
16	72655-08	BRACKET	2	759975
17	72653-08	STRIKER BOLT	2	759733
18	72392-09	SPACER, REAR VIEW MIRROR SUPPORT	2	512929

GLAZING



ITEM	CPC P/N	DESCRIPTION	QTY	SEATS P/N
1	72659-08	WINDSHIELD TRIM SEAL	1	760067
2	72660-08	WINDSHIELD. TINTED	1	760068
3	72661-08	CAB DOOR DROP WINDOW TINTED	2	760199
4	72664-08	DOOR QUARTER GLASS	2	759970
5	72665-08	CAB REAR WINDOW, TINTED	1	760070
6	72666-08	INTERIOR REAR VIEW MIRROR	1	760063
7	72667-08	REAR VIEW MIRROR L/H	1	760201
8	72668-08	REAR VIEW MIRROR R/H	1	760202

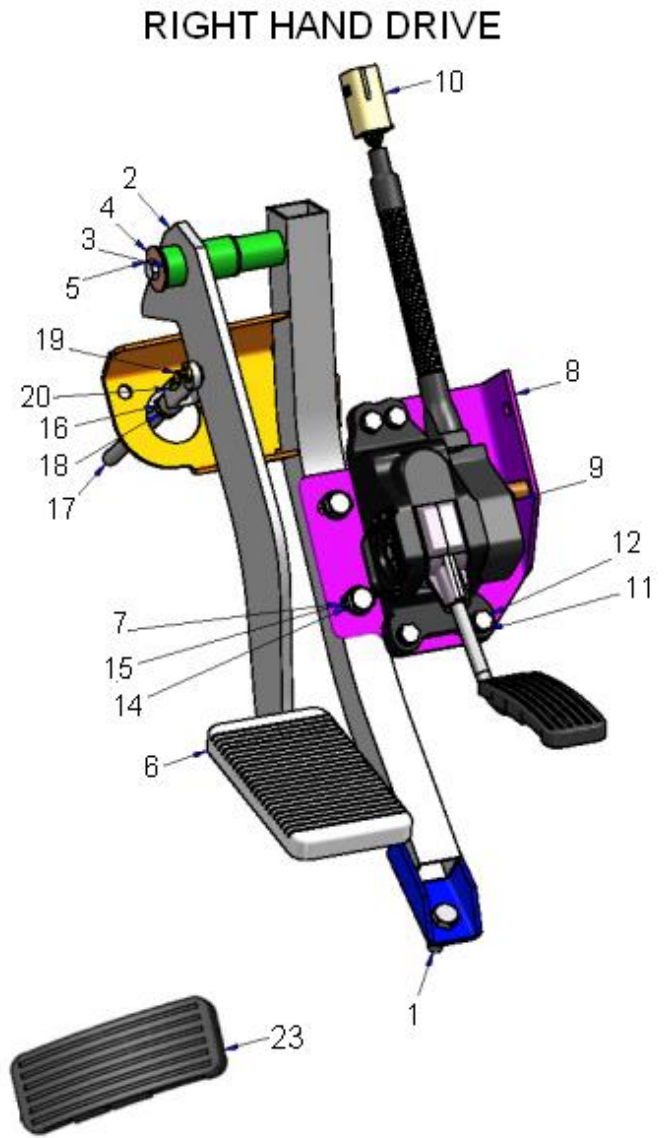
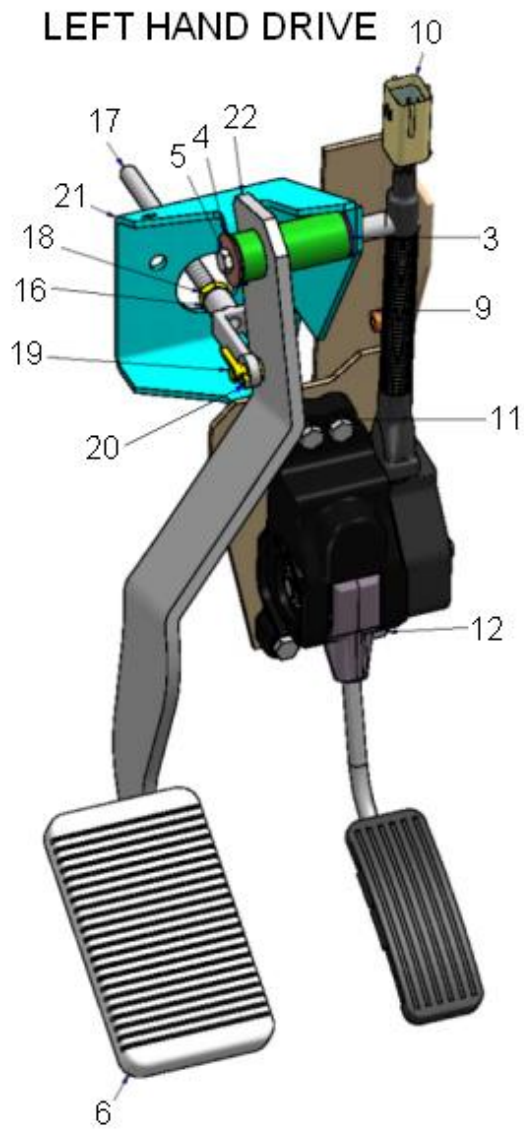
FRONT/REAR BUMPERS - MEGA



ITEM	CPC P/N	DESCRIPTION	QTY	SEATS P/N
1	72738-13	FRONT BUMPER	1	311587
2	72794-13	BRACKET. FRONT BUMPER	2	515193
3	3403-B	BOLT, 5/16-18X2 CARR. G5	4	719609
4	5400-BS	BOLT, 5/16-18X1 CARR. G5	4	719744
5	6000-B	WASHER, 5/16 USS/STD,F/W BLK MAX	8/6	719771
6	7739	NUT, 5/16-18 L/N NYLOCK, NE,GA, BLK MAX	8	719892
7	72799-13	REAR BUMPER	1	311588
8	4017	SCREW, 5/16-18X1 HHC G8 YLW	6	708085
9	11448	PLUG, 1.75" BLACK	2	719530
10	8206	KNURLED INSERT 5/16-18 YWZC	6	719929

MEGA PARTS MANUAL
SECTION 3
ACCELERATOR AND BRAKES

ACCELERATOR AND BRAKE CLUSTER

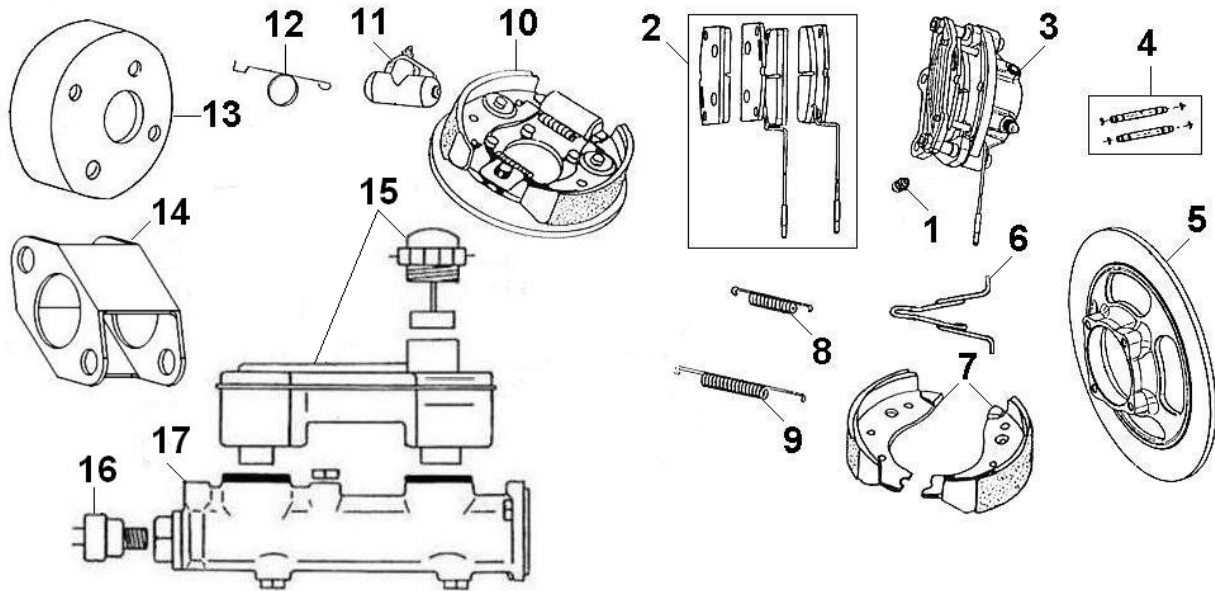


ACCELERATOR AND BRAKE CLUSTER (Cont.)

ITEM	CPC P/N	DESCRIPTION	QTY	SEATS P/N
1	46260-09	STEERING COLUMN SUPPORT LH	1	309795
2	46261-09	BRAKE PEDAL LH	1	309792
3	10516	BEARING, FLANGED .5X5/16	2	719147
4	7266	WASHER, 1/4X1, FENDER	1	719856
5	4001	SCREW, M6-20 CLS 10.9 HHC	1	719645
6	42438-02	PAD, BRAKE PEDAL	1	709807
7	46262-08	INSERT, M8X1.25	2	781422
8	46263-09	PLATE	1	513133
9	46264-10	INSERT, ALS2-610-4.2, 6X1.0	1	781423
10	40610-10	PEDAL ASSY, ACCELERATOR & HARNESS	1	760635
11	46265-08	WASHER, 6MM	8	781406
12	46266-08	SCREW, M6X25MM HHC	4	781391
13*	7961	NUT, M6X1.0, NYLOCK	4	708934
14	46267-08	WASHER, 8MM	2	781397
15	5499	SCREW, M8, CLASS 10.9	2	781456
16	73059-96	CLEVIS, #52 5/16-24	1	719852
17	72510-08	MASTER CYL PUSH ROD	1	512936
18	7744	NUT, 5/16-24 HEX JAM	1	719895
19	494	CLEVIS PIN, 5/16X1	1	719709
20	520-W	COTTER PIN, 1/8X1	1	719728
21	46268-10	STEERING COLUMN SUPPORT RH	1	310246
22	46269-10	BRAKE PEDAL RH	1	310245
23	40891-12	PEDAL PAD REPLACEMENT (Recommend gluing in place)	1	760784
24*	72394-10	HARNESS, PAD ADAPTER	1	760678

* NOT SHOWN

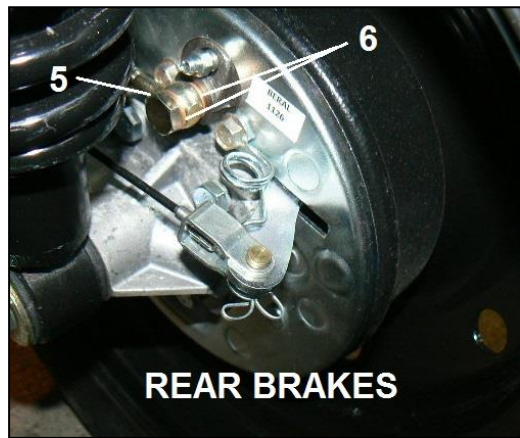
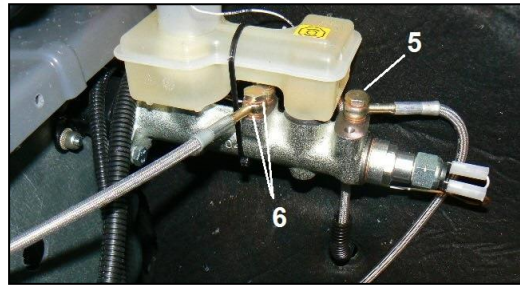
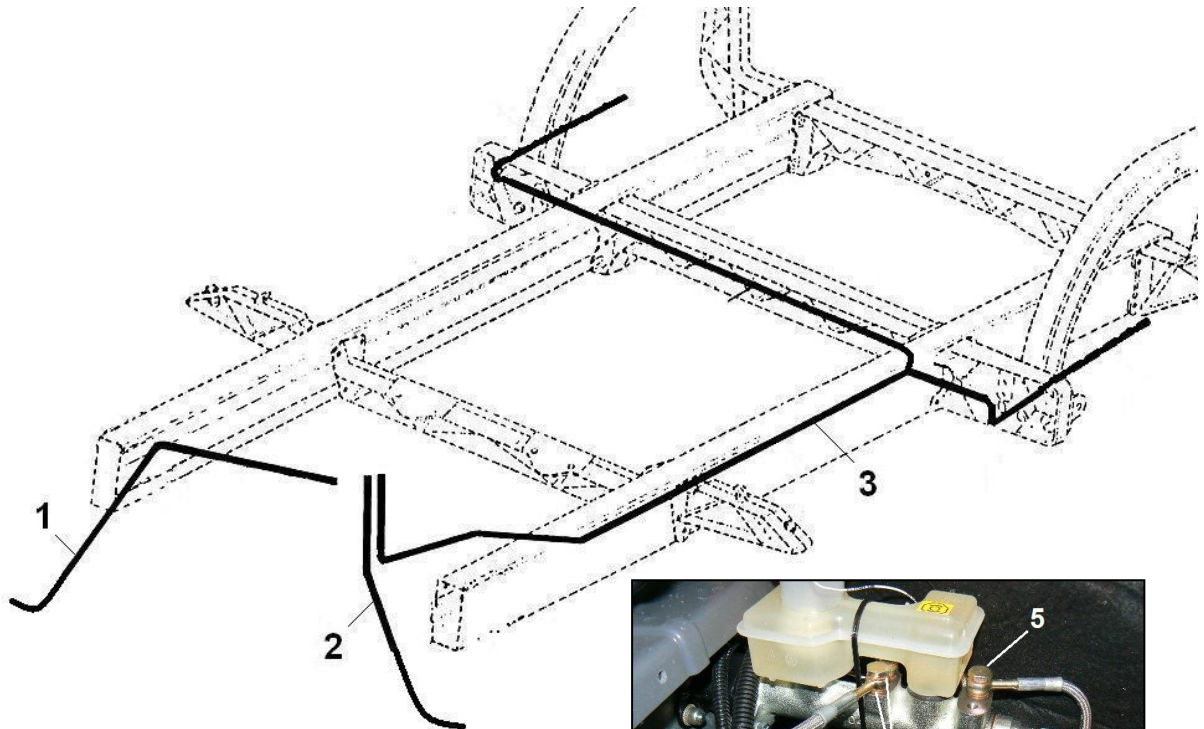
HYDRAULIC BRAKES



ITEM	CPC P/N	DESCRIPTION	QTY	SEATS P/N
1	72528-08	BLEED VALVE	2	760490
2	72529-08	BRAKE PADS KIT	1	760396
3	72530-08	L/H/F BRAKE CALIPER COMPLETE	1	760491
3A	72531-08	R/H/F BRAKE CALIPER COMPLETE	1	760493
4	72532-08	BRAKE PAD RETAINING PIN	2	760492
5	72533-08	FRONT BRAKE DISC	2	760494
6	72534-08	ANTI LOCK SPRING	2	760495
7	72535-08	BRAKE SHOES (Must replace as a set of 4)	4	760395
8	72536-08	SPRING, SHORT	2	760496
99	72537-08	BRAKE SHOE RETURN SPRING	2	760497
10	72538-08	BRAKE REAR R/H	1	760150
10A	72539-08	BRAKE REAR L/H	1	760149
11	72540-08	WHEEL CYLINDER	2	760498
12	72541-08	SPRING R/H	1	760499
12A	72542-08	SPRING L/H	1	760500
13	72543-08	REAR BRAKE DRUM	2	760151
14	72513-08	MASTER CYLINDER SPACER	1	760005
15	72801-08	MASTER CYLINDER RESERVOIR	1	760125
16	72506-08	BRAKE LIGHT SWITCH	1	760489
17	72507-08	MASTER CYLINDER	1	760484

* SPECIAL ORDER

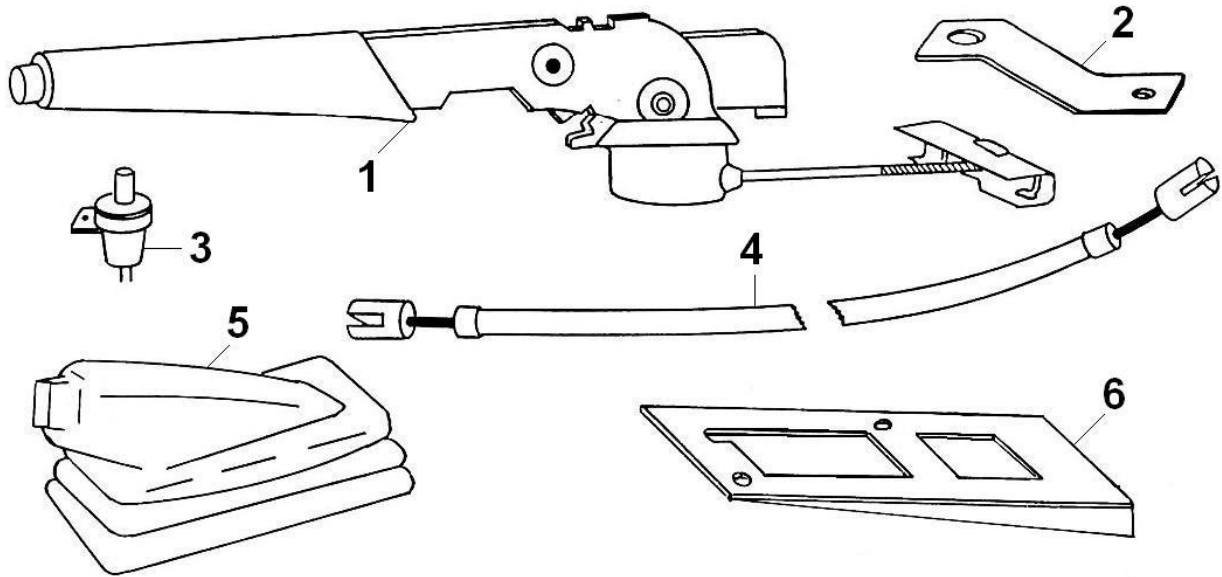
BRAKES LINES



ITEM	CPC P/N	DESCRIPTION	QTY	SEATS P/N
1	72521-08	R/H FRONT BRAKE LINE	1	760681
2	72522-08	L/H FRONT BRAKE LINE	1	760682
3	72523-08	FRONT TO REAR BRAKE LINE	1	760683
4	*	BOLT, BANJO, M10X1.00	2	760684
5	*	BOLT BANJO, M10X1.25	5	760685
6	*	WASHER, COPPER CRUSH, M10X14MMX2MM	14	760687

* SPECIAL ORDER

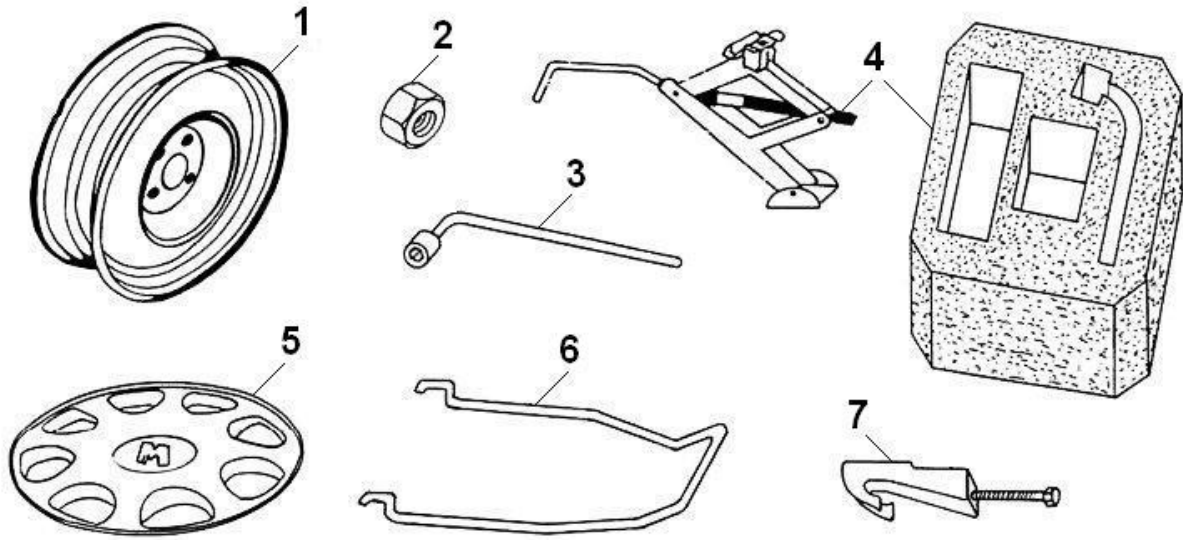
BRAKES - MECHANICAL



ITEM	CPC P/N	DESCRIPTION	QTY	SEATS P/N
1	72544-08	HANDBRAKE LEVER	1	760055
2	72545-08	HANDBRAKE LIGHT SWITCH SUPPORT PLATE	1	512930
3	72546-08	HAND BRAKE WARNING LIGHT SWITCH	1	759958
4	72547-08	HANDBRAKE CABLE	2	760282
5	72548-08	HANDBRAKE LEVER RUBBER	1	760051
6	72549-08	HAND BRAKE LEVER MOUNTING PLATE	1	310000

MEGA PARTS MANUAL
SECTION 4
STEERING AND SUSPENSION

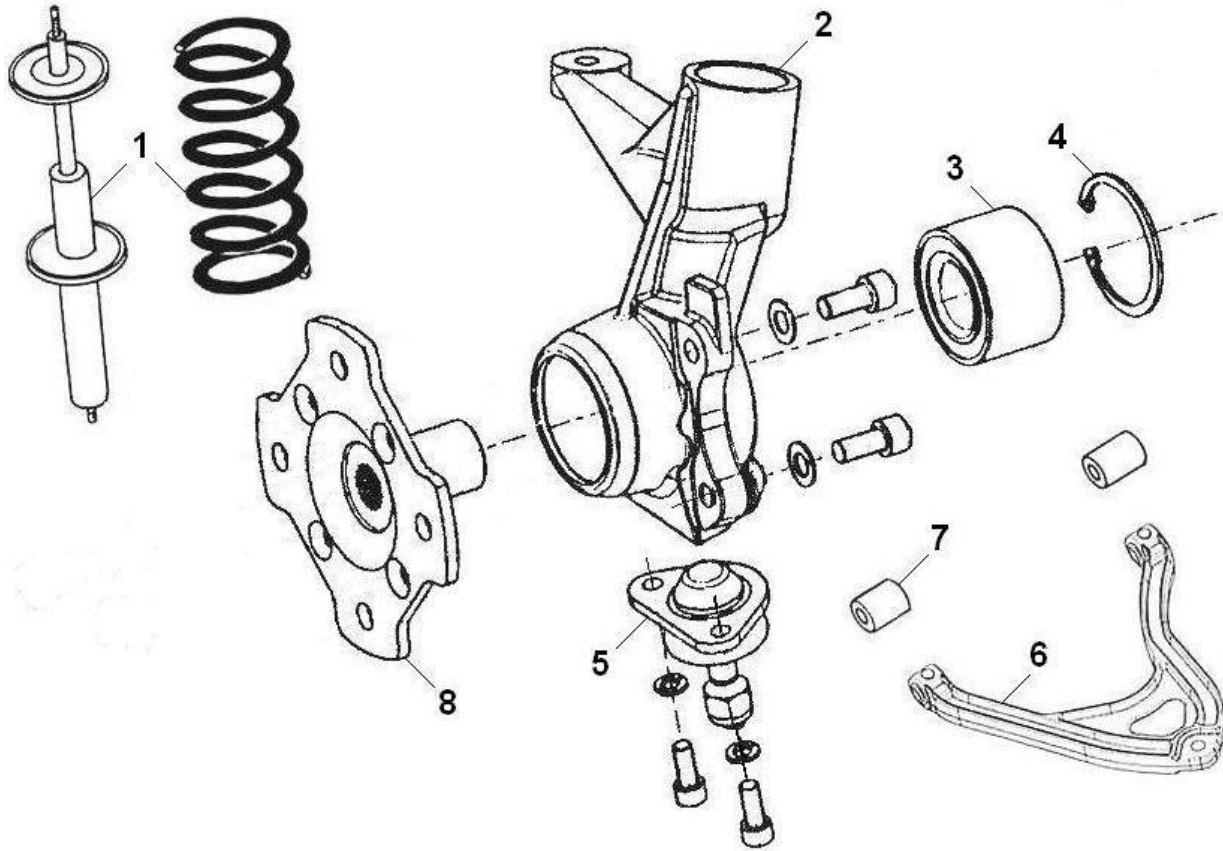
WHEELS



ITEM	CPC P/N	DESCRIPTION	QTY	SEATS P/N
1	72499-08	WHEEL/TIRE ASSEMBLY (TIRE NOT SHOWN)	5	760127
2	72500-08	WHEEL NUT 19 MM	16	760061
3	72501-08	LUG WRENCH	1	760178
4	72502-08	VEHICLE JACK BOX, POLY	1	760177
5	72503-08	HUB CAP	4	760217
6	72504-08	SPARE TIRE RETAINER	1	759994
7	72505-08	SPARE TIRE SECURING HOOK	1	760176
8*	72804-08	TIRE, 145/70R13	1	760710

* NOT SHOWN

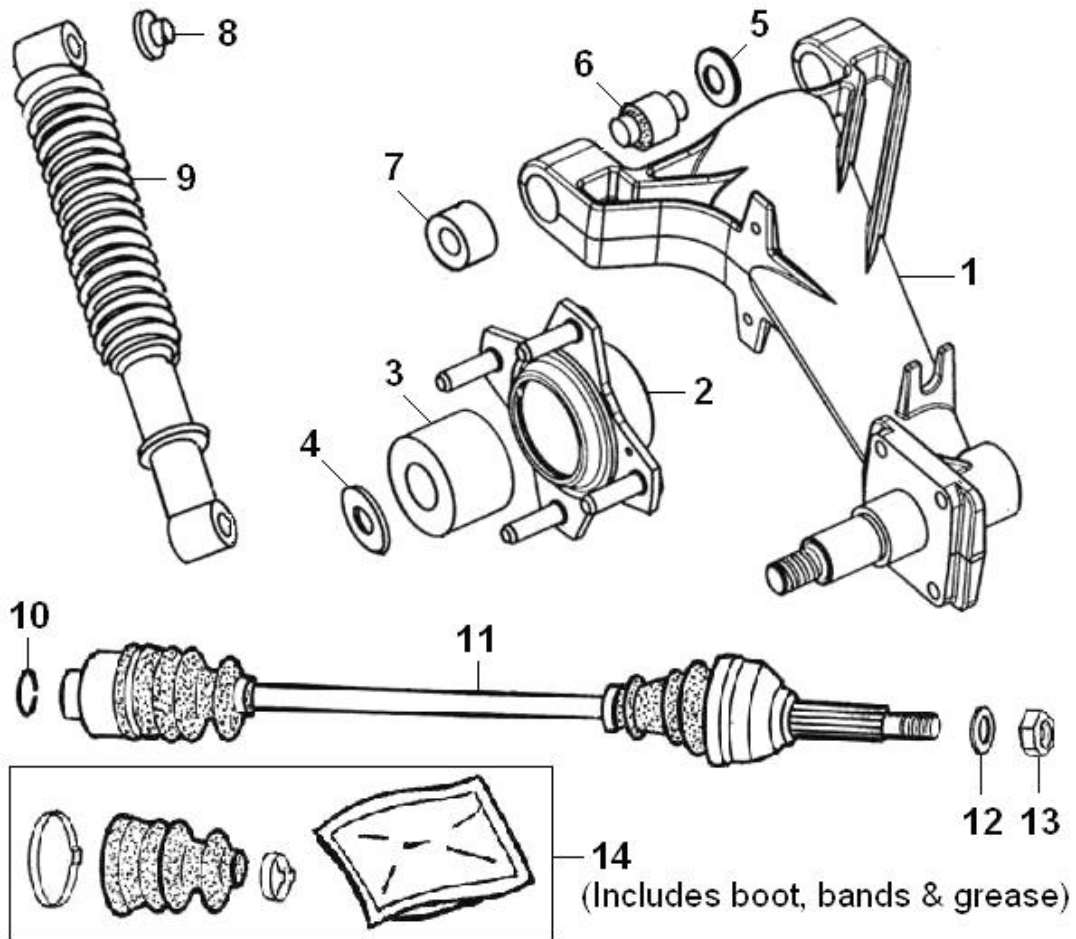
FRONT AXLE



ITEM	CPC P/N	DESCRIPTION	QTY	SEATS P/N
1	72466-08	FRONT SHOCK ABSORBER	2	760047
2	72467-08	L/H HUB ASSEMBLY FRONT	1	760285
2A	72468-08	R/H HUB ASSEMBLY FRONT	1	760286
3	72469-08	FRONT WHEEL BEARING	2	760454
4	72470-08	CIRCLIP	2	760455
5	72471-08	BALL JOINT	2	760456
6	72472-08	A-ARM	2	760042
7	72473-08	RUBBER BUSHING	2	760487
8	72475-08	DRIVE FLANGE	2	760458
9*	72806-10	STUD, WHEEL, FRONT	1	760714

* NOT SHOWN

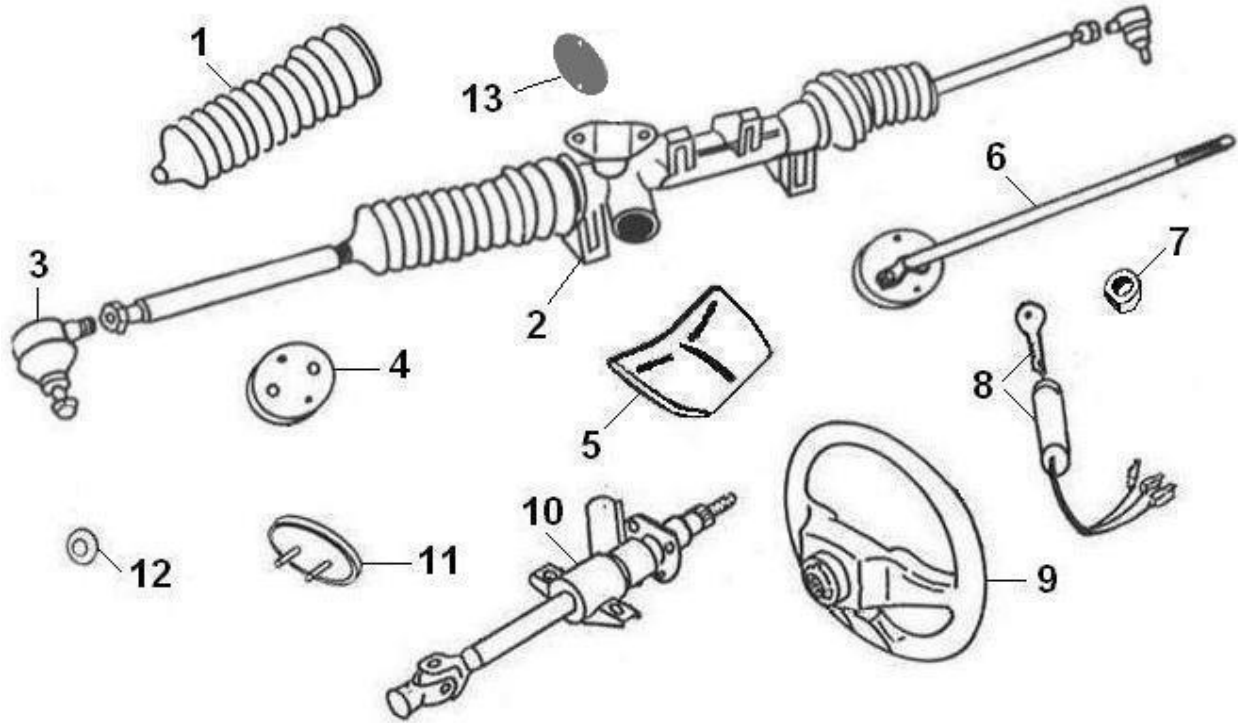
DRIVE SHAFT and REAR AXLE



ITEM	CPC P/N	DESCRIPTION	QTY	SEATS P/N
1	72490-08	REAR TRAILING ARM	2	760314
2	72491-08	REAR HUB 4 BOLT	2	759943
3	72492-08	BEARING TWIN RACE	2	759951
4	6655-B	WASHER, FLANGE NUT	2	719808
5	72494-08	WASHER 12MM	2	781450
6	72495-08	RUBBER BUSHING, REAR TRAIL ARM	4	760488
7	72496-08	SPACER	2	512908
8	72497-08	WASHER, SHOULDER REAR SUSPENSION	4	512907
9	72498-08	REAR SHOCK ABSORBER	2	759944
10	N/A	CIRCLIP. DRIVESHAFT SPLINE (Included with Item 11)	2	N/A
11	72462-08	DRIVESHAFT R/H	1	760038
11A	72463-08	DRIVESHAFT L/H	1	760039
12	*	PLAIN WASHER 16MM DIA	2	N/A
13	*	NUT 16X150 (LOCKNUT)	2	N/A
14	41803-08	KIT CV BOOT, WHEEL SIDE	1	760460
14A	41802-08	KIT CV BOOT, AXLE SIDE	1	760466

* OBTAIN LOCALLY

STEERING



ITEM	CPC P/N	DESCRIPTION	QTY	SEATS P/N
1	72477-08	STEERING RACK BOOT	2	760481
2	72478-08	RACK & PINION LHD	1	760124
2A	*	RACK & PINION RHD	1	760607
3	72479-08	TIE ROD END	2	760482
4	72480-08	STEERING COLUMN ISOLATOR	1	760483
5	72481-08	STEERING COLUMN, SEAL COVER	1	760045
6	72482-08	INNER STEERING COLUMN SHAFT	1	760159
7	72483-08	"D" WASHER	2	512747EC
8	72484-08	IGNITION LOCK+4 BARRELS	1	760043
9	72910-15	STEERING WHEEL (See Note)	1	761234
10	72486-08	UPPER STEERING COLUMN	1	760041
11	72911-15	STEERING WHEEL CENTER CAP	1	761233
12	72488-08	IGNITION BARREL TRIM	1	760169
13	72391-10	SPACER, STEERING RACK MOUNT	1	512985
**	*	LOWER STEERING COLUMN COVER, RHD	1	760623
**	*	STEERING COLUMN SEAL RHD	1	760622

* SPECIAL ORDER

** NOT SHOWN

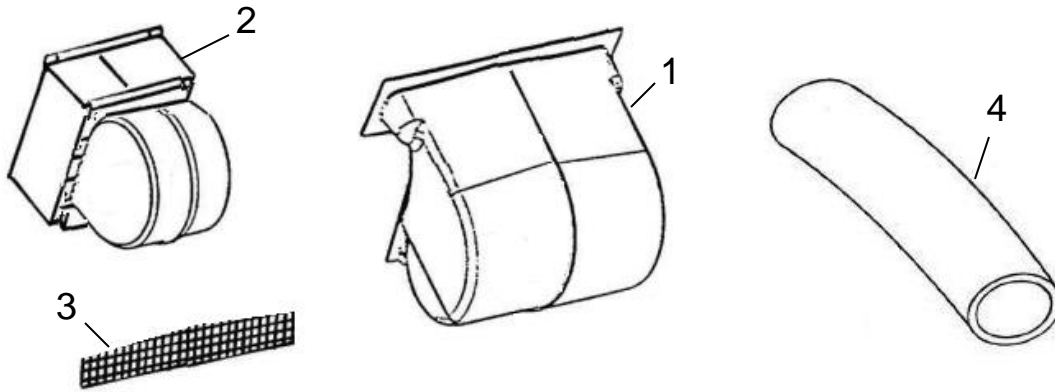
NOTE: Steering wheel and cap changed in 5/2015. Steering wheel used prior to 5/2015 must use a 72487-08 cap.

MEGA PARTS MANUAL

SECTION 5

INTERIOR

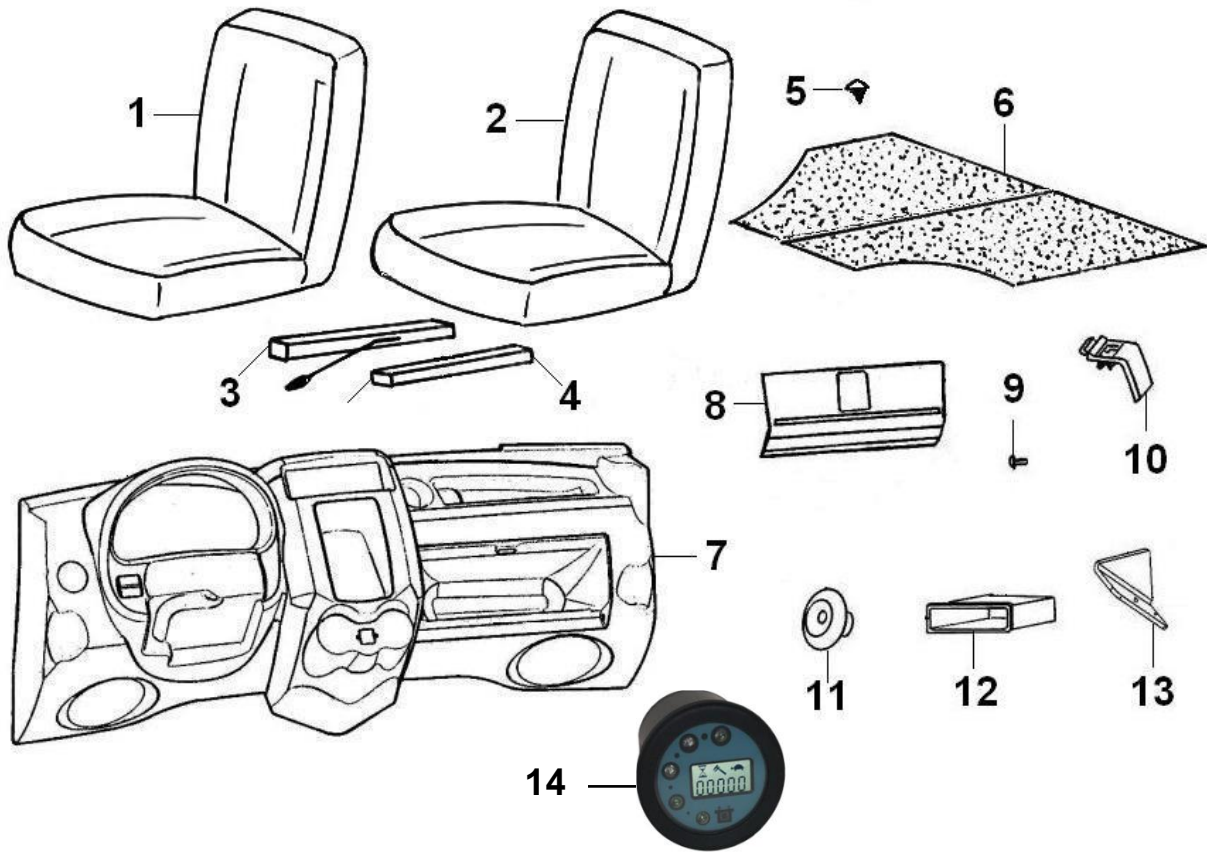
HEATING SYSTEM - MEGA



ITEM	CPC P/N	DESCRIPTION	QTY	SEATS P/N
1	72737-08	SHROUD	1	467602
2	72450-08	ELECTRIC HEATER	1	760634
3	72453-08	FAN CAGE SCREEN	1	760036
4	72455-08	HEATER HOSE	2	467647
5*	49713-08	FOAM TAPE	108"	709783
6*	2531	SCREW, #10-5/8, PPH TAPPING	2	719058
7*	10043	CABLE TIE	9	719504
8*	2638	SCREW, #6X3/4, PPH T/S, TA	8	719577
9*	2641	SCREW, #10X1, PPH, T/S, TA	2	729263
10*	72791-11	HEATER KIT (Includes above Items)	1	191623U

* NOT SHOWN

SEATS and DASH - MEGA

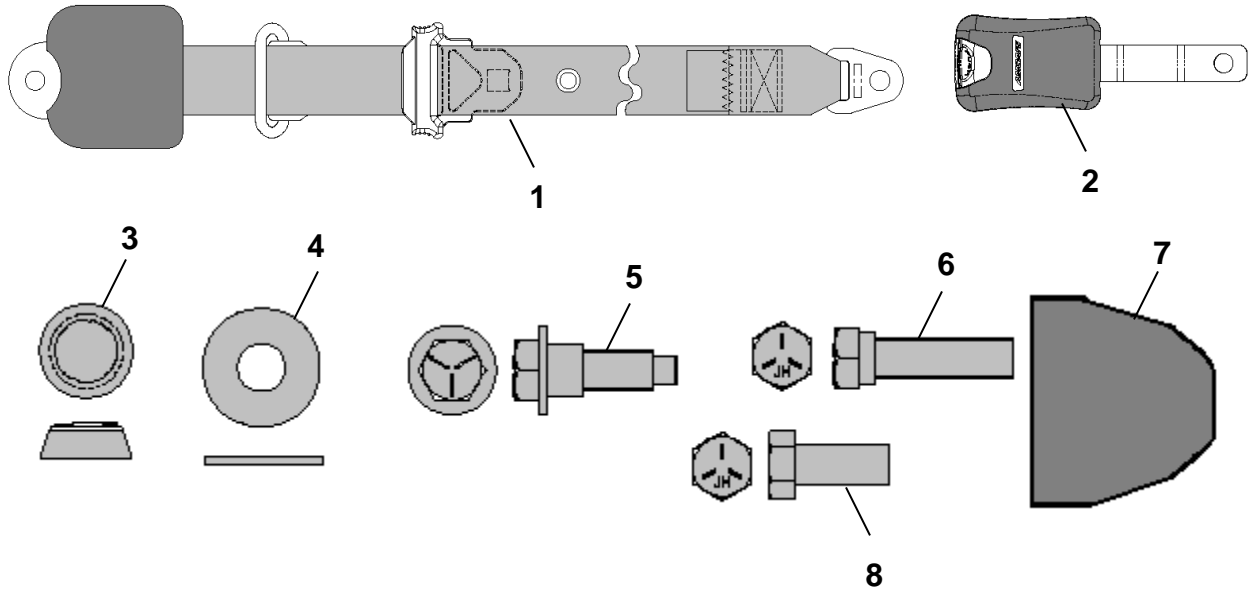


ITEM	CPC P/N	DESCRIPTION	QTY	SEATS P/N
1	72670-08	R/H SEAT	1	760083
2	72669-08	L/H SEAT	1	760082
3	72673-08	L/H ADJUSTABLE SEAT SLIDE	1	760514
3A	72674-08	R/H ADJUSTABLE SEAT SLIDE	1	760515
4	72671-08	R/H SEAT SLIDE FREE MOVING	1	760512
4A	72672-08	L/H SEAT SLIDE FREE MOVING	1	760513
5	8200	FASTENER, PUSHPNL	4	719926
6	72675-08	FLOOR MAT	1	760085
7	72687-08	DASH LH DRIVE	1	760130
7A	**	DASH RH DRIVE	1	760606
8	72688-08	GLOVE BOX LID	1	760062
9	**	FASTENER, PUSHPNL	1	781541
10	72690-08	GLOVE BOX CATCH	1	759948
11	72691-08	CLIP DASHBOARD ATTACHMENT	2	760517
12	72692-08	BRACKET, DASH MOUNT	1	760154
13	72693-08	DASH STORAGE TRAY	1	760064
14	69611-09	MULTIFUNCTIONAL DIGITAL INDICATOR	1	760574
*	72484-08	IGNITION, LOCK W/4 BARRELS	1	760043
*	72767-08	HAZARD WARNING SWITCH	1	760166

* NOT SHOWN

** SPECIAL ORDER

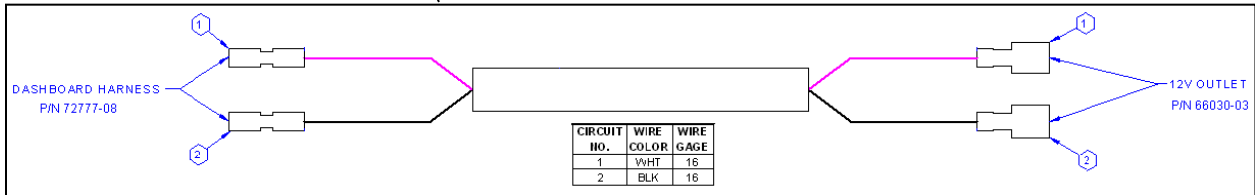
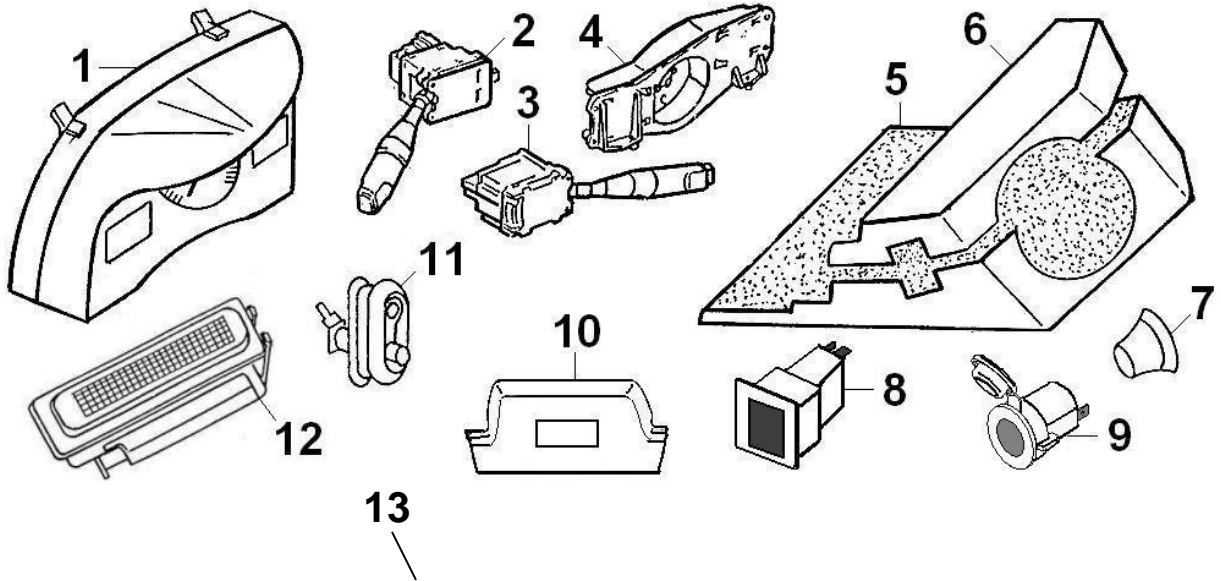
SEAT BELTS - MEGA



ITEM	CPC P/N	DESCRIPTION	QTY	SEATS P/N
1	53100-10	SEAT BELT 3 PT BUCKLE KIT	2	760585
2*	75503-09	SEAT BELT BUCKLE	2	760553
3*	N/A	BLACK SCREW COVER	6	N/A
4*	N/A	WASHER, FLT STL 1.25	6	N/A
5*	N/A	BOLT, HX HD 7/16-20X1.5 G5 (Bottom)	2	N/A
6*	N/A	BOLT, HX HD 7/16-20X1.5 G5 (Top)	2	N/A
7*	N/A	UPPER COVER	2	N/A
8*	N/A	SCREW, HX HD 7/16-20X1 G5	4	N/A

* INCLUDED WITH ITEM 1

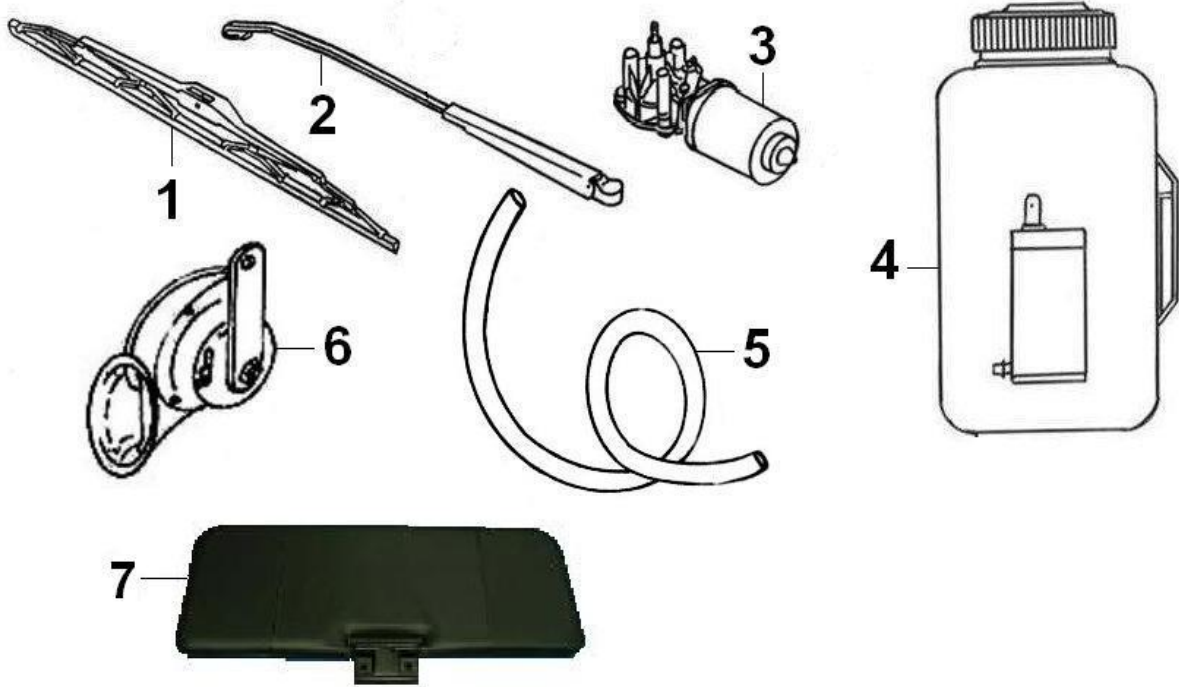
INSTRUMENTS - MEGA



ITEM	CPC P/N	DESCRIPTION	QTY	SEATS P/N
1	72761-08	INSTRUMENT PANEL	1	760163
2	72762-08	LIGHT SWITCH	1	760162
3	72763-08	WINDSHIELD WIPER SWITCH	1	760362
4	72764-08	SWITCH SUPPORT BRACKET	1	760104
5	72736-08	STEERING COLUMN LOWER COVER	1	760102
6	72765-08	STEERING COLUMN UPPER COVER	1	760103
7	72766-08	IGNITION LOCK SHROUD	1	760105
8	72767-08	HAZARD WARNING SWITCH	1	760166
9	66030-03	12V POWER OUTLET	1	719342
10	72768-08	INTERIOR LIGHT HOUSING	1	760380
11	72769-08	DOOR CONTACT SWITCH	1	759986
*	29284-04	SEAL, DOME LIGHT	1.16"	719355
12	72770-08	INTERIOR LAMP	1	760206
13	72786-13	12V POWER OUTLET HARNESS	1	467947
*	32675-08	TERMINAL, #10 STUD TO 1/4 MALE TAB	1	719825
*	2646	SCREW, #6-32X5/8 PPHMS	1	719581
*	7592	NUT, #6-32 GR A, NM MACH, NYLON	1	719866

* NOT SHOWN

WINDSHIELD WIPER, HORN & SUNVISOR - MEGA

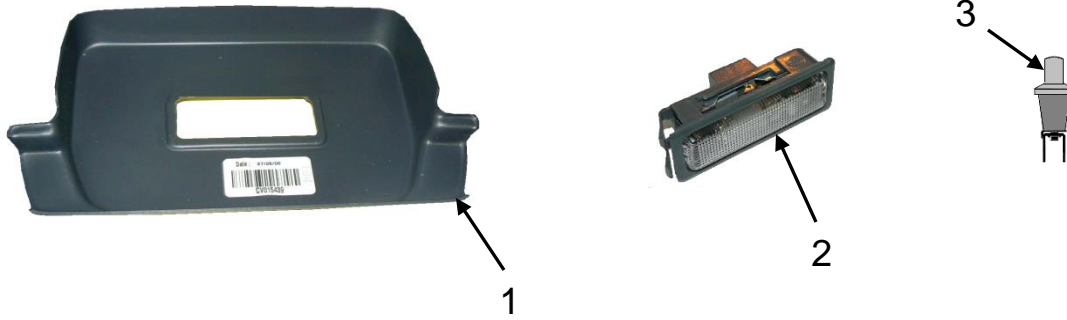


ITEM	CPC P/N	DESCRIPTION	QTY	SEATS P/N
1	72771-08	WIPER BLADE	1	760215
2	72772-08	WIPER ARM LEFT HAND DRIVE	1	760139
2A	*	WIPER ARM RIGHT HAND DRIVE	1	760605
3	72773-08	WIPER MOTOR LEFT HAND DRIVE	1	760138
3A	*	WIPER MOTOR RIGHT HAND DRIVE	1	760604
4	58200-10	FLUID RESERVOIR 2 QT	1	760587
5	72775-08	HOSE, WINDSHIELD WASHER	1	760377
**	*	TANK MOUNTING BRACKET	1	513452
6	69001-76A	HORN 12V	1	709089
7	72570-08	SUNVISOR	2	760290
8**	8689	RIVET	4	719948
N/A	64100-10	KIT, SUNVISOR (Includes Items 7 & 8)	1	191635U

* SPECIAL ORDER

** NOT SHOWN

INTERIOR DOME LIGHT - MEGA



ITEM	CPC P/N	DESCRIPTION	QTY	SEATS P/N
1	72770-08	LAMP HOUSING	1	760206
2	72768-08	LAMP ASSEMBLY	1	760380
3	72769-08	DOOR CONTACT SWITCH	1	759986
4*	8675-B	RIVET, #610X3/16 AL, DH, L-FLG	2	719945
5*	**	MOLDING, BLACK, 22	1.16"	719355
6	64100-10	KIT, DOME LIGHT (Includes above items)	1	191676U

* NOT SHOWN

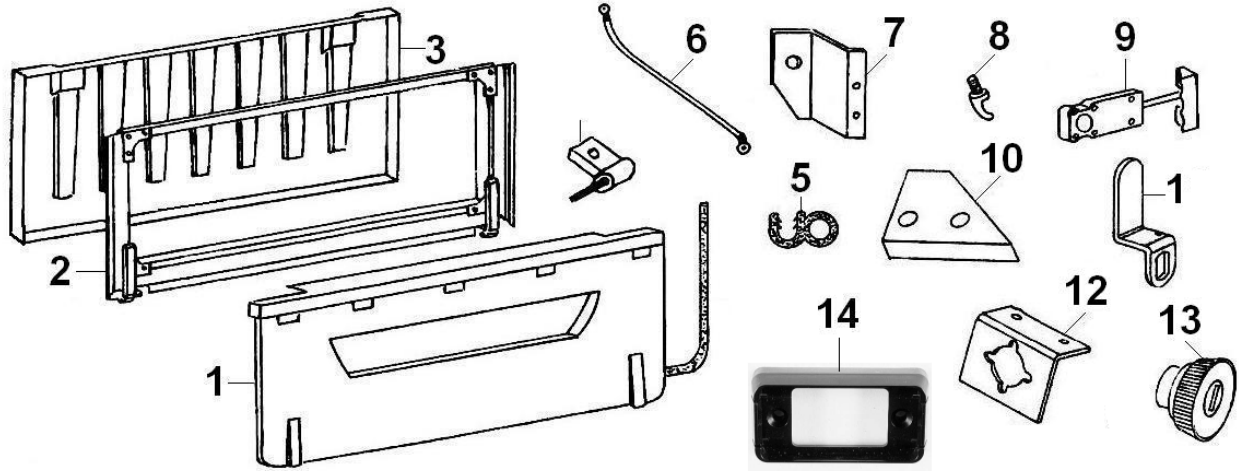
** SPECIAL ORDER

MEGA PARTS MANUAL

SECTION 6

OPTIONS

TAILGATE

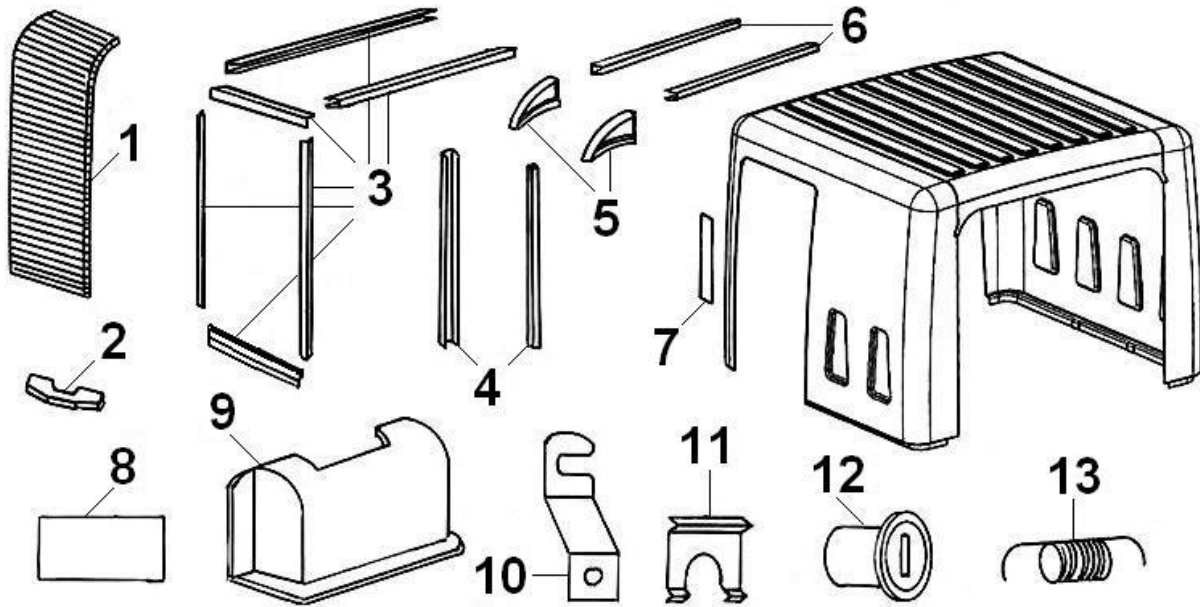


▲ WARNING
 POTENTIAL INJURY HAZARD
 DO NOT STEP OR STAND
 ON THIS SURFACE.

ITEM	CPC P/N	DESCRIPTION	QTY	SEATS P/N
1	72694-08	TAILGATE OUTER PANEL	1	760254
2	72695-08	TAILGATE MAIN FRAME	1	760256
3	72696-08	TAILGATE INNER PANEL, CARGO	1	760363
3A	72784-08	TAILGATE INNER PANEL, TILT BED	1	760355
3B	72785-08	TAILGATE INNER PANEL, DROP SIDE	1	760302
4	72697-08	TAILGATE LOWER HINGE	2	760255
5	72786-08	REAR DOOR SEAL.	1	467628
6	72698-08	TAILGATE SUPPORT CABLE	2	760258
7	72699-08	TAILGATE LOCK PIN BRACKET	2	760257
8	72700-08	TAILGATE CONICAL LOCK PIN	2	760518
9	72787-08	TAILGATE RELEASE LEVER.	2	760259
10	72701-08	BRACKET TAILGATE	1	760264
11	72702-08-	LOCK OPERATING PLATE DROP SIDE	1	760260
12	72703-08	TAILGATE KEY BARREL PLATE	1	760261
13	72704-08	TAILGATE LOCK BARREL AND HANDLE	1	760263
14	72753-08	LICENSE PLATE LIGHT BRACKET	1	760316
15	72901-13	DECAL, TAILGATE WARNING	1	712106

* SPECIAL ORDER

VAN SIDE ROLLER DOOR



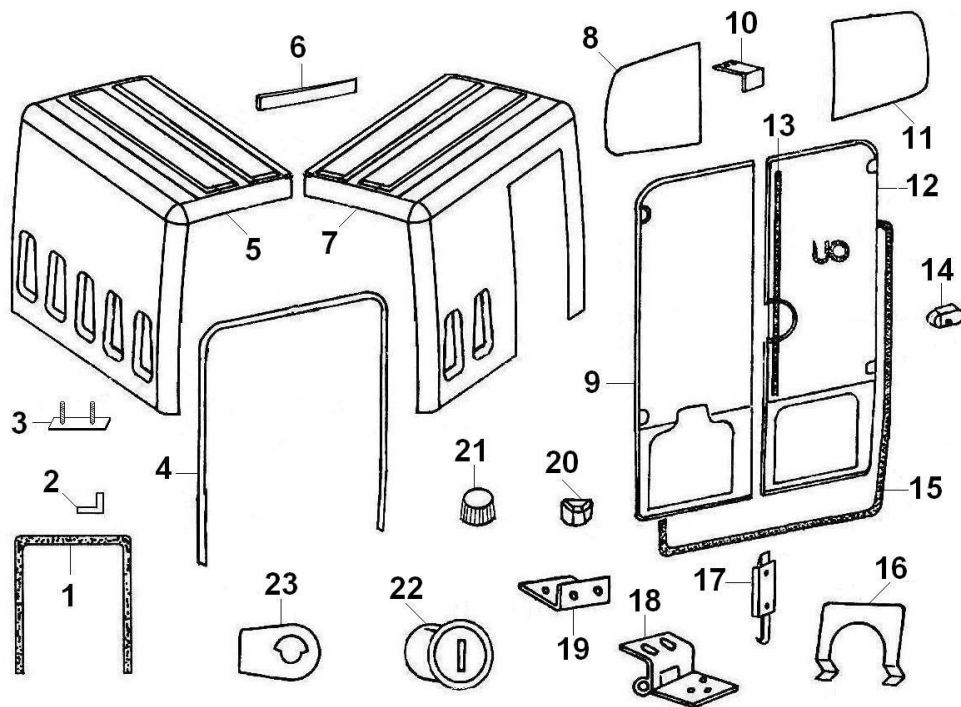
ITEM	CPC P/N	DESCRIPTION	QTY	SEATS P/N
1	*	SIDE ROLLER DOOR	1	*
2	72706-08	ROLLER SHUTTER DOOR HANDLE	1	760248
3	*	FRAME KIT, SIDE ROLLER DOOR	1	*
4	*	VERTICAL GUIDE RAIL KIT	2	*
5	*	GUIDE CORNER. L/H SIDE ROLLER DOOR	1	*
5A	*	GUIDE CORNER. R/H SIDE ROLLER DOOR	1	*
6	*	HORIZONTAL GUIDE RAIL KIT	2	*
7	*	SIDE ROLLER DOOR TRIM R/H	1	*
7A	*	SIDE ROLLER DOOR TRIM L/H	1	*
8	*	KEY BARREL PLATE. SIDE	1	*
9	*	SIDE ROLLER DOOR LOCK COVER	1	*
10**	72716-08	LOCK OPERATING PLATE	1	760299
11	72647-08	KEY BARREL FIXING CLIP	1	759965
12	72484-08	IGNITION LOCK, 4 BARRELS (Lock cylinders not sold as separate units.)	1	760043
13	72717-08	ROLLER DOOR LOCK RETURN SPRING	1	760252

* No longer available

** Limited quantities

NOTE: Fiberglass van is being replaced with a aluminum van. See page 6-11.

VAN SIDES



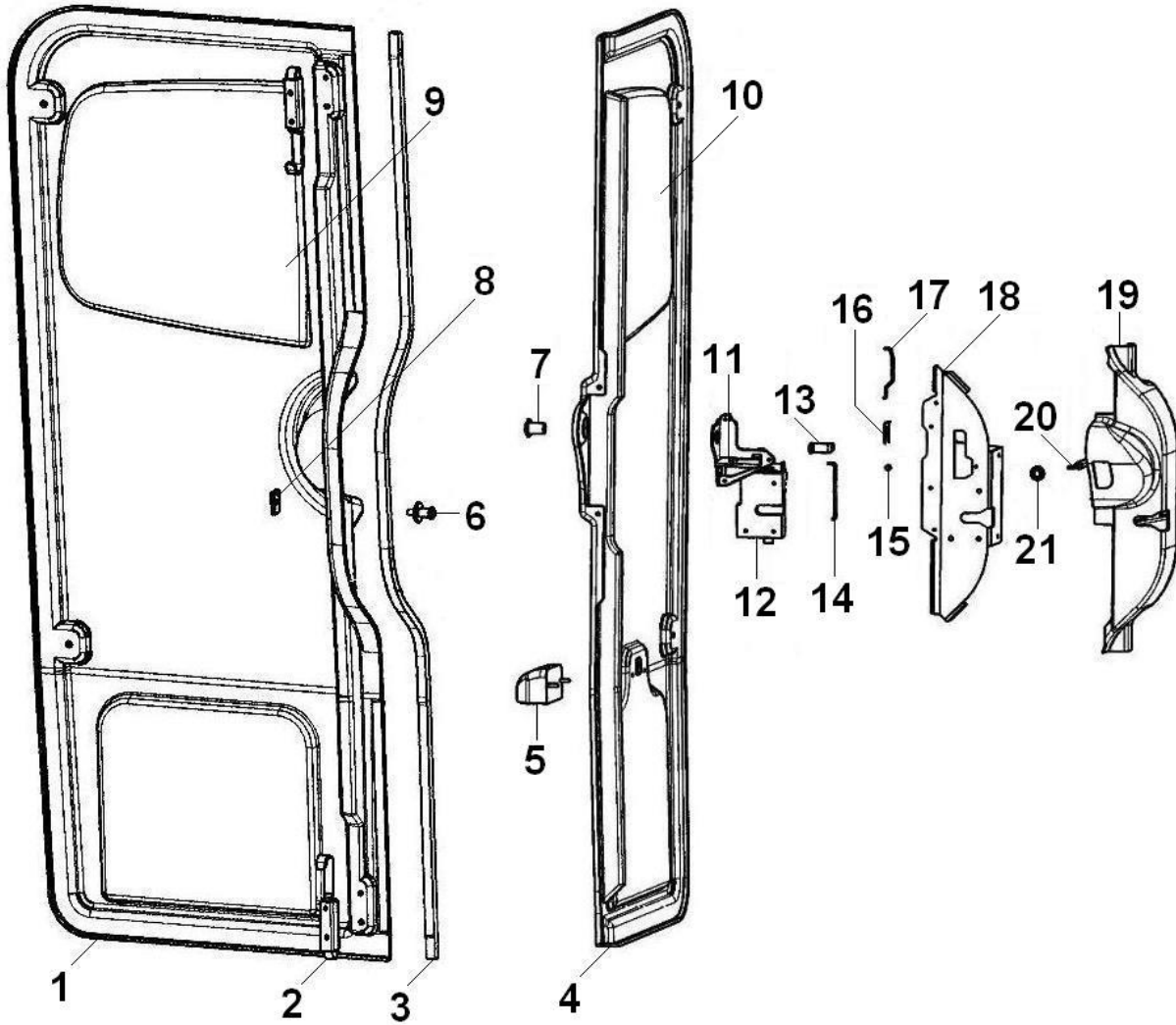
ITEM	CPC P/N	DESCRIPTION	QTY	SEATS P/N
1	72788-08	CAB TO VAN BODY JOINT	10'	467627
2	*	ATTACHMENT BRACKET	2	*
3	*	ATTACH CELL POLYESTER	4	*
4	*	REAR ARCH	1	*
5	*	L/H VAN SIDE	1	*
6	*	REAR CAP, VAN	1	*
7	*	R/H VAN SIDE	1	*
8**	72724-08	R/H REAR DOOR GLASS TINTED	1	760219
9	*	L/H PRECUT DOOR	1	*
10	*	UPPER BRACKET	1	*
11**	72725-08	L/H REAR DOOR GLASS TINTED	1	760218
12	*	R/H PRECUT DOOR	1	*
13	72789-08	REAR DOOR SEAL, VAN	1	467629
14	72650-08	R/H OUTER DOOR HANDLE	1	760181
15	72726-08	DOOR SEAL	15.5'	760357
16	72647-08	KEY BARREL FIXING CLIP	1	759965
17**	72730-08	SECOND DOOR CATCH	2	760241
18**	72727-08	HINGE	4	760229
19	*	HINGE SUPPORT PLATE	4	*
20	68027-04	LICENSE PLATE LIGHT (NEV ONLY)	1	719326
21	76731-08	DOOR STOP	4	760237
22	72484-08	IGNITION LOCK, 4 BARRELS	1	760043
23	72645-08	DOOR PLATE L/H	1	759963

* No longer available.

** Limited Quantities

NOTE: Fiberglass van is being replaced with a aluminum van. See page 6-11.

VAN DOORS



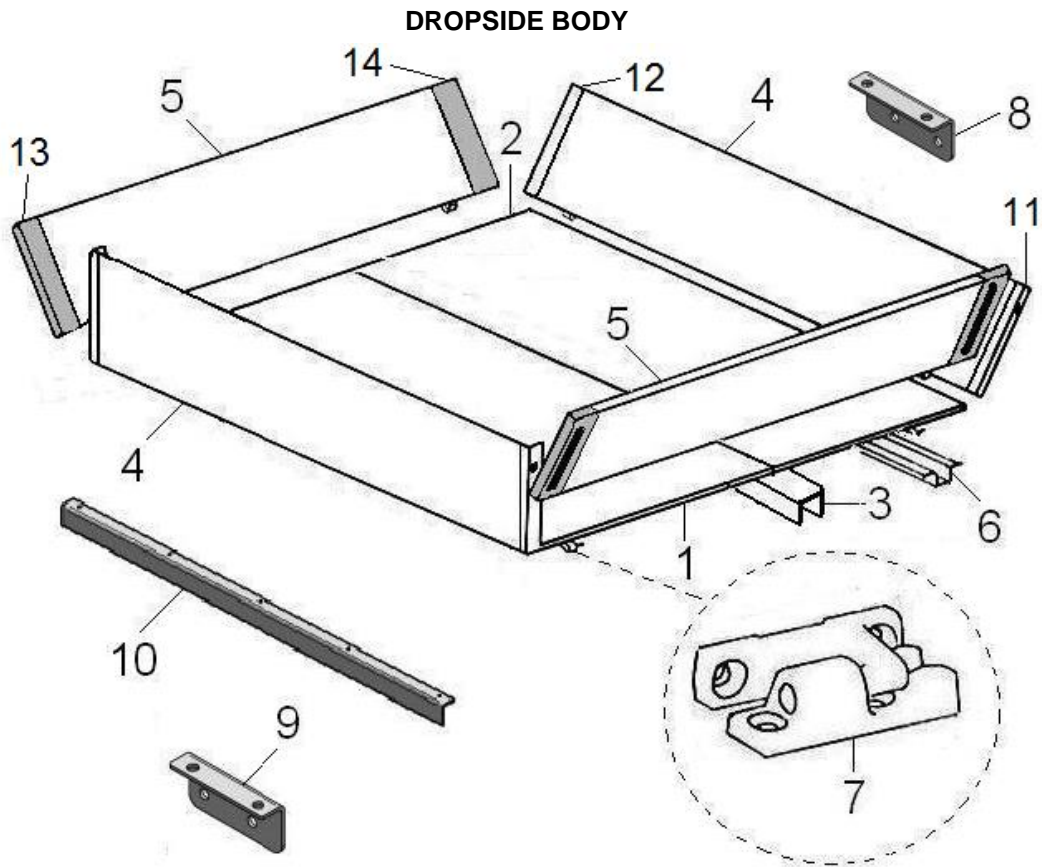
VAN DOORS (Cont.)

ITEM	CPC P/N	DESCRIPTION	QTY	SEATS P/N
1	*	R/H PRECUT DOOR	1	*
2**	72730-08	SECOND DOOR CATCH	2	760241
3	72732-08	REAR DOOR SEAL, VAN	1	467629
4	72720-08	L/H PRECUT DOOR	1	760234
5	68027-04	LICENSE PLATE LIGHT (NEV ONLY)	1	719326
6	72653-08	DOOR LOCK STRIKER PIN	1	760065
7	72484-08	IGNITION LOCK, 4 BARRELS	1	760043
8	*	NUT	1	*
9**	72725-08	REAR WINDOW, TINTED L/H	1	760218
10**	72724-08	REAR WINDOW, TINTED R/H	1	760219
11	72650-08	R/H OUTER DOOR HANDLE	1	760181
12	72651-08	L/H DOOR LOCK	1	760190
13	72645-08	DOOR PLATE L/H	1	759963
14	72634-08	DOOR LOCK ROD, SHORT L/H	1	759976
15	72658-08	SLEEVE	1	760204
16	72647-08	KEY BARREL FIXING CLIP	1	759965
17	72632-08	L/H LOCK ROD	1	759967
18	*	TAILGATE KEY BARREL PLATE	1	*
19	*	LOCK COVER	1	*
20	72629-08	INTERIOR DOOR LOCK BUTTON R/H	1	760193
21	72631-08	DOOR LOCK BUTTON GROMMET	1	759966

* No longer available.

** Limited Quantities

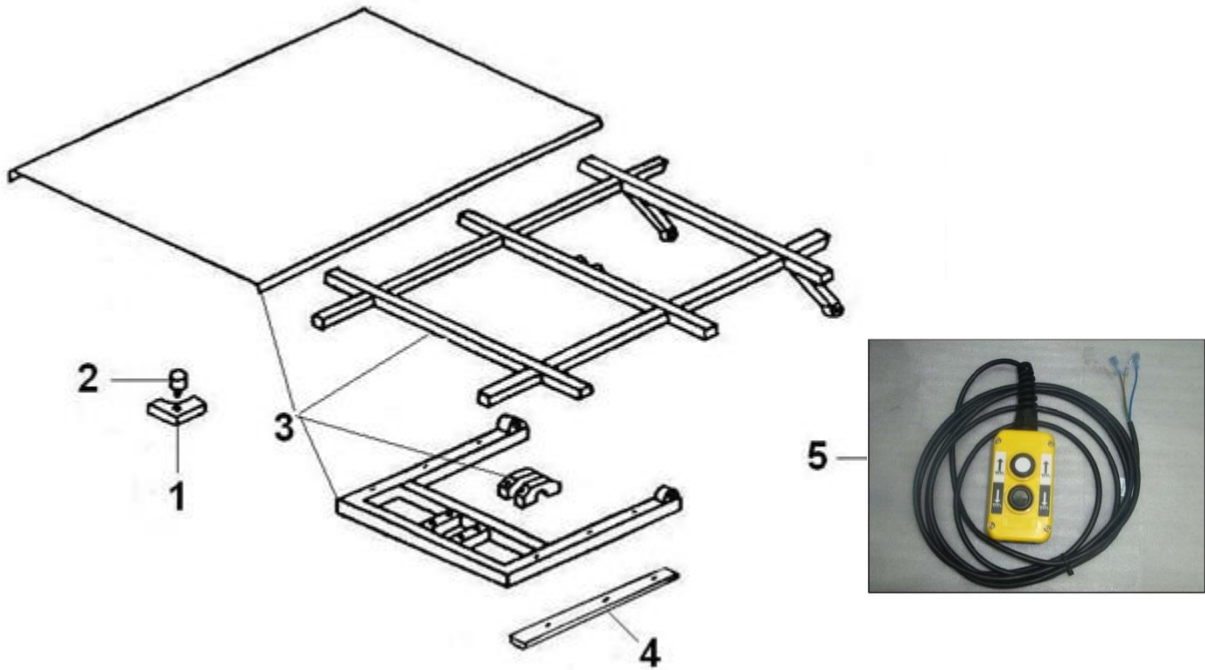
NOTE: Fiberglass van is being replaced with a aluminum van. See page 6-11.



	CPC P/N	DESCRIPTION	QTY	SEATS P/N
1	72792-13	DECK, FRONT	1	515170
2	72793-13	DECK, REAR	1	515171
3	72794-13	SUPPORT, MID	1	515172
4	72740-13	DROPSIDE END PANEL	2	467941
5	72741-13	DROPSIDE SIDE PANEL	2	467942
6	72743-08	REAR FLOOR SUPPORT	1	760265
7	72744-08	HINGE	6	760262
8	72745-08	HINGE MOUNTING PLATE, REAR	3	512917
9	72746-08	HINGE MOUNTING PLATE	4	512916
10	72747-08	SECURING PLATE	1	760269
11	72908-13	LOCK, LEFT INNER PROFILE (Used with Item 4)	2	760353
12	72909-13	LOCK, RIGHT INNER PROFILE (Used with Item 4)	2	760354
13	72802-13	LOCK, DROPSIDE, RIGHT (Used with Item 5)	2	760308
14	72803-13	LOCK, DROPSIDE, LEFT (Used with Item 5)	2	760309
15	1788	SCREW, M8-1.25X25MM (Used with Item 7)	24	781411
16	46267-08	WASHER, 8MM, F/W ZC (Used with Item 7)	24	781397
17	7542	NUT, M8-1.25, L/N NYLOCK, ZC (Used with Item 7)	24	708528
18	5410	SCREW, M6X35MM CARR ZC (Used with Items 8 & 9)	24	781408
19	46265-08	WASHER, 6MM, F/W ZC (Used with Items 8 & 9)	24	781406
20	7961	NUT, M6-1.0, L/N NYLOCK, ZC (Used with Items 8 & 9)	24	708934

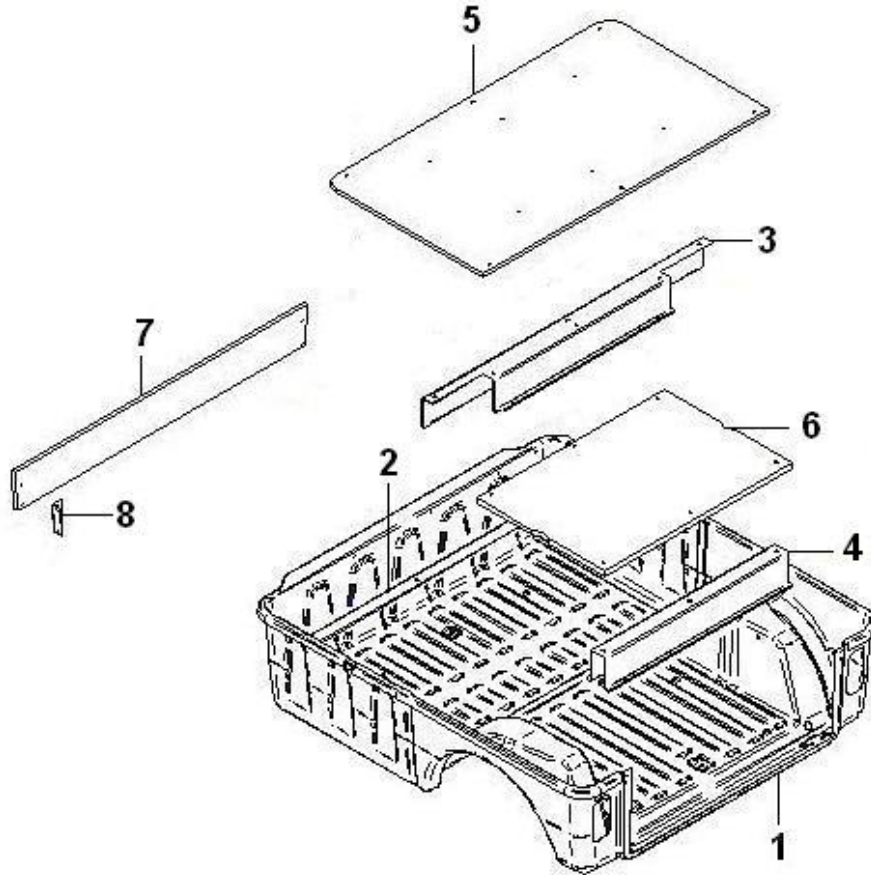
* NOT SHOWN – SPECIAL ORDER

TIPPER BODY



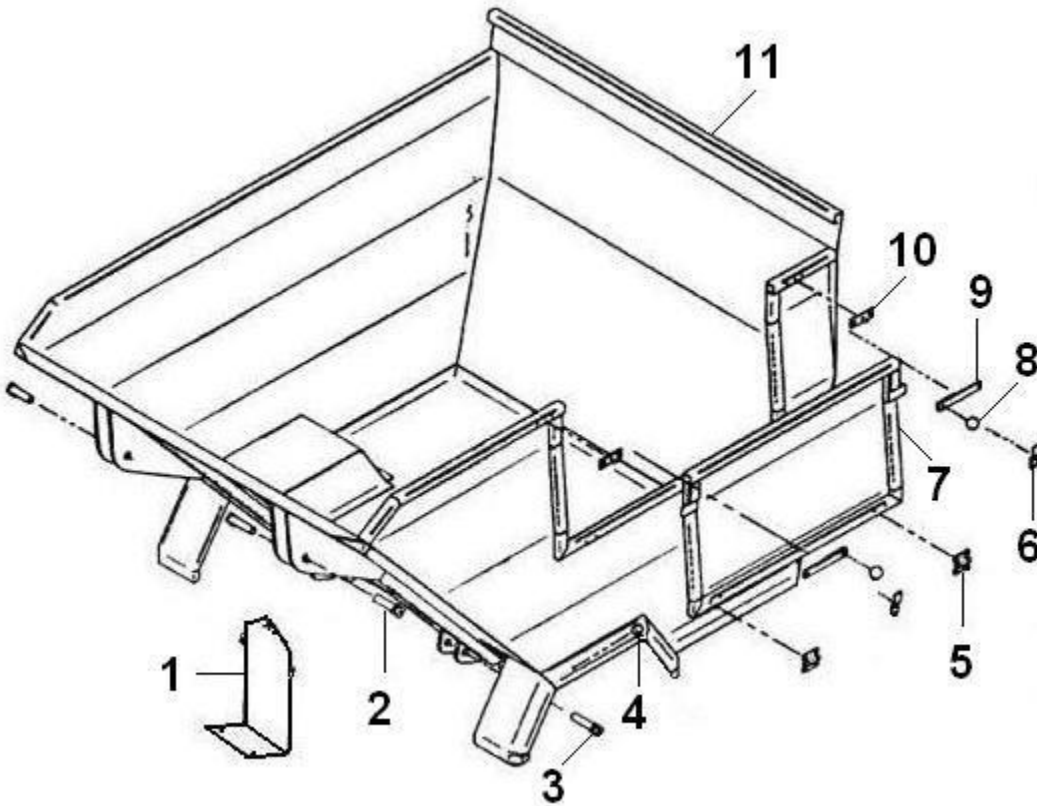
ITEM	CPC P/N	DESCRIPTION	QTY	SEATS P/N
1	72749-08	PLATE	2	512921
2	72750-08	BODY LANDING RUBBER SUPPORT	2	760273
3	72390-08	TIPPER KIT	1	760356
4	72752-08	LOWER FRAME MOUNT	2	760275
5	72754-08	REMOTE CONTROL	1	760278

REAR DECK BOARDS



ITEM	CPC P/N	DESCRIPTION	QTY	SEATS P/N
1	72579-08	REAR TRAY, ELECTRIC	1	760293
2	51370-10	ANGLE SUPPORT, DECK, FRONT	1	512553
3	51371-10	SUPPORT, LONG, DECK	1	512574
4	51372-10	SUPPORT, SHORT, DECK	1	512573
5	51373-10	BOARD, DECK, FORWARD	1	513928
6	51374-10	BOARD, DECK, REAR	1	513929
7	51376-10	BOARD, DIVIDER	1	513930
8	51377-10	BRACKET, DIVIDER BOARD	1	512624
9	66800-10	REAR SUPPORT BAR	2	512974

REFUSE BODY

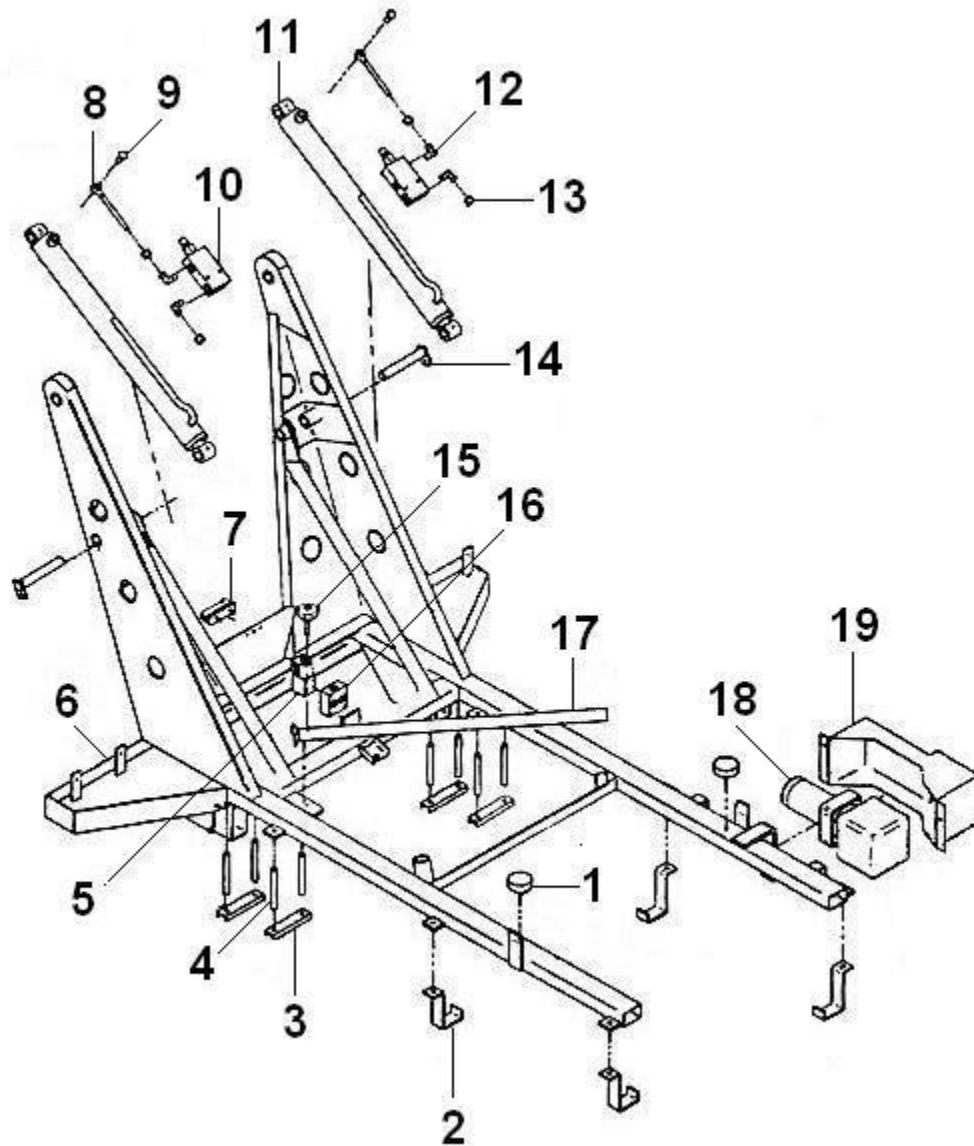


ITEM	DESCRIPTION	QTY
1	A_TRADUIRE:SUPPORT PLAQUE	1
2	SHAFT	2
3	SHAFT	2
4	ABUTMENT	1
5	HINGE	2
6	STOP	2

ITEM	DESCRIPTION	QTY
7	SIDE DOOR	1
8	KNOB	2
9	LEVER	2
10	LEVER MOUNTING PLATE	2
11		1

NOTE: ALL PARTS ARE SPECIAL ORDER – CONTACT CPC FOR ASSISTANCE

REFUSE DUMP MECHANISM

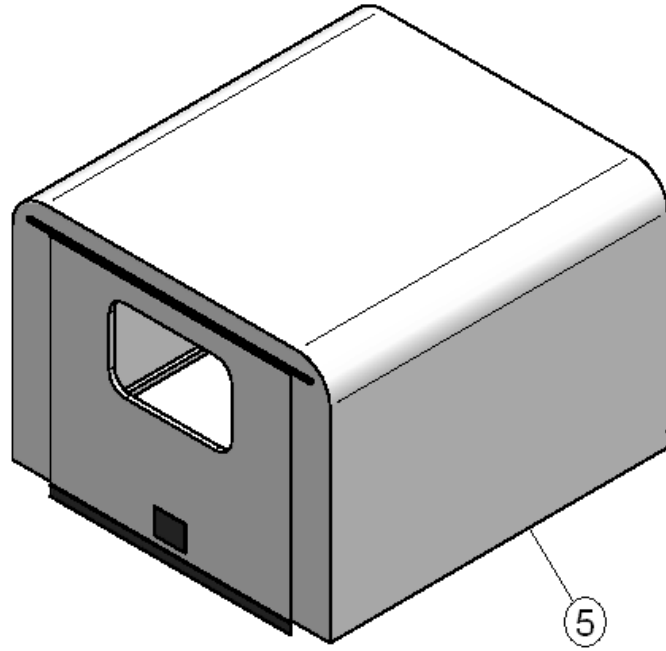


ITEM	DESCRIPTION	QTY
1	ABUTMENT	2
2	CHASSIS BRACKET	4
3	PLATE	4
4	SLEEVE	8
5	ELECTRICALLY OPERATED VALVE	1
6	SUB CHASSIS ASSY	1
7	LAMP	1
8	HYDRAULIC CONNECTOR	2
9	BANJO BOLT	2
10	VALVE	2

ITEM	DESCRIPTION	QTY
11	DOUBLE ACTION RAM	2
12	CONNECTOR	4
13	HYDRAULIC CONNECTOR	4
14	SHAFT	2
15	FIXING	1
16	HYDRAULIC VALVE BLOCK	1
17	STAY BAR	1
18	HYDRAULIC PUMP	1
19	PUMP PROTECTION COVER	1

NOTE: ALL PARTS ARE SPECIAL ORDER – CONTACT CPC FOR ASSISTANCE

VAN ENCLOSURE -MEGA

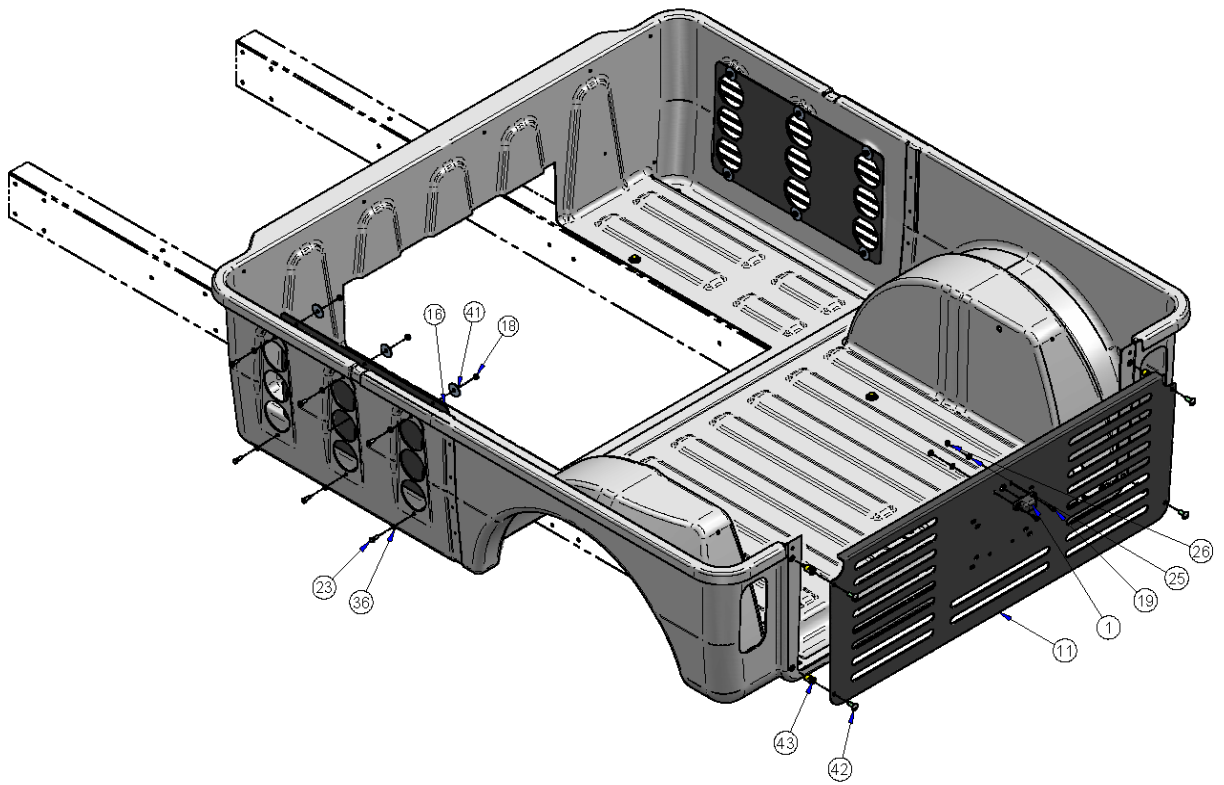
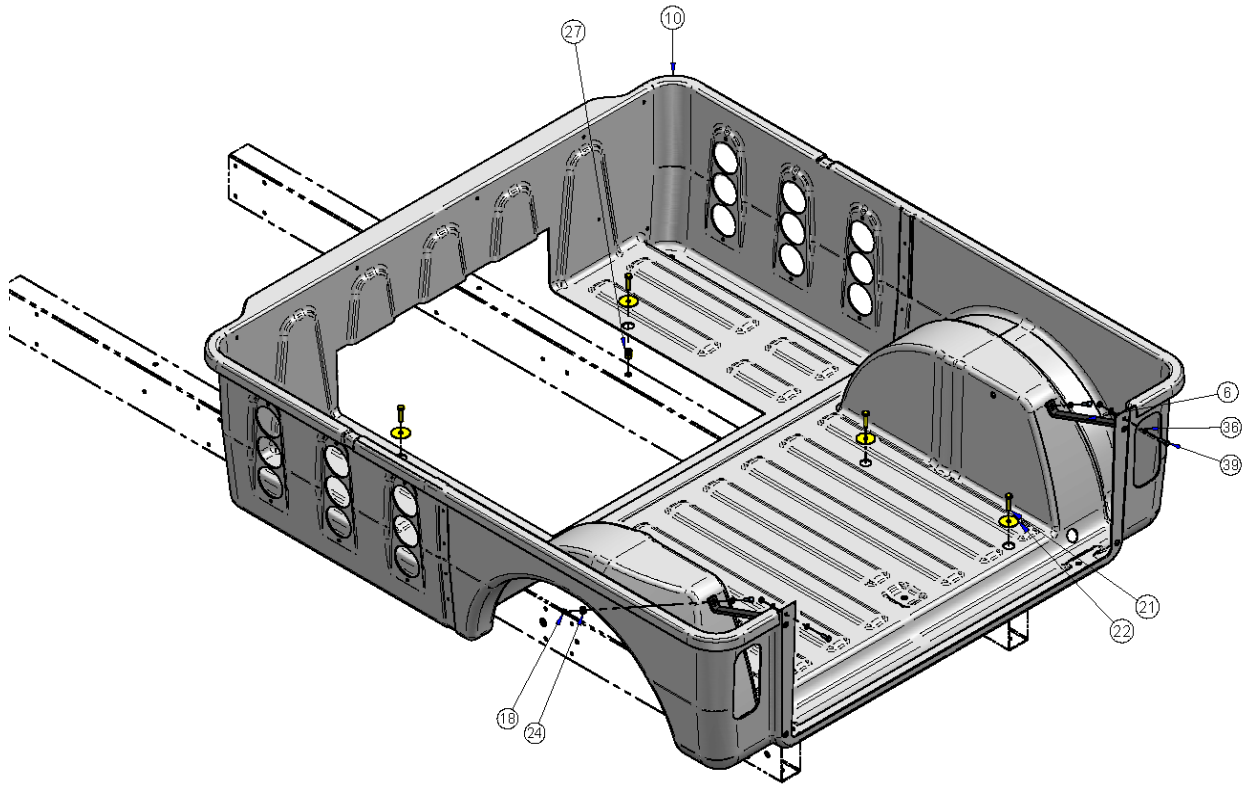


ITEM	CPC P/N	DESCRIPTION	QTY	SEATS P/N
1*	49713-08	FOAM TAPE 1/8T X 1W	15.25"	709783
2*	3454-BS	SCREW, 1/4-20X 1 3/4 HHCS G5	6	719623
3*	6703-B	WASHER 1/4	12	719811
4*	7686	NUT, 1/4-20 NYLOCK, GA	6	719879
5	**	ENCLOSURE, COMPLETE, WHITE	1	760577

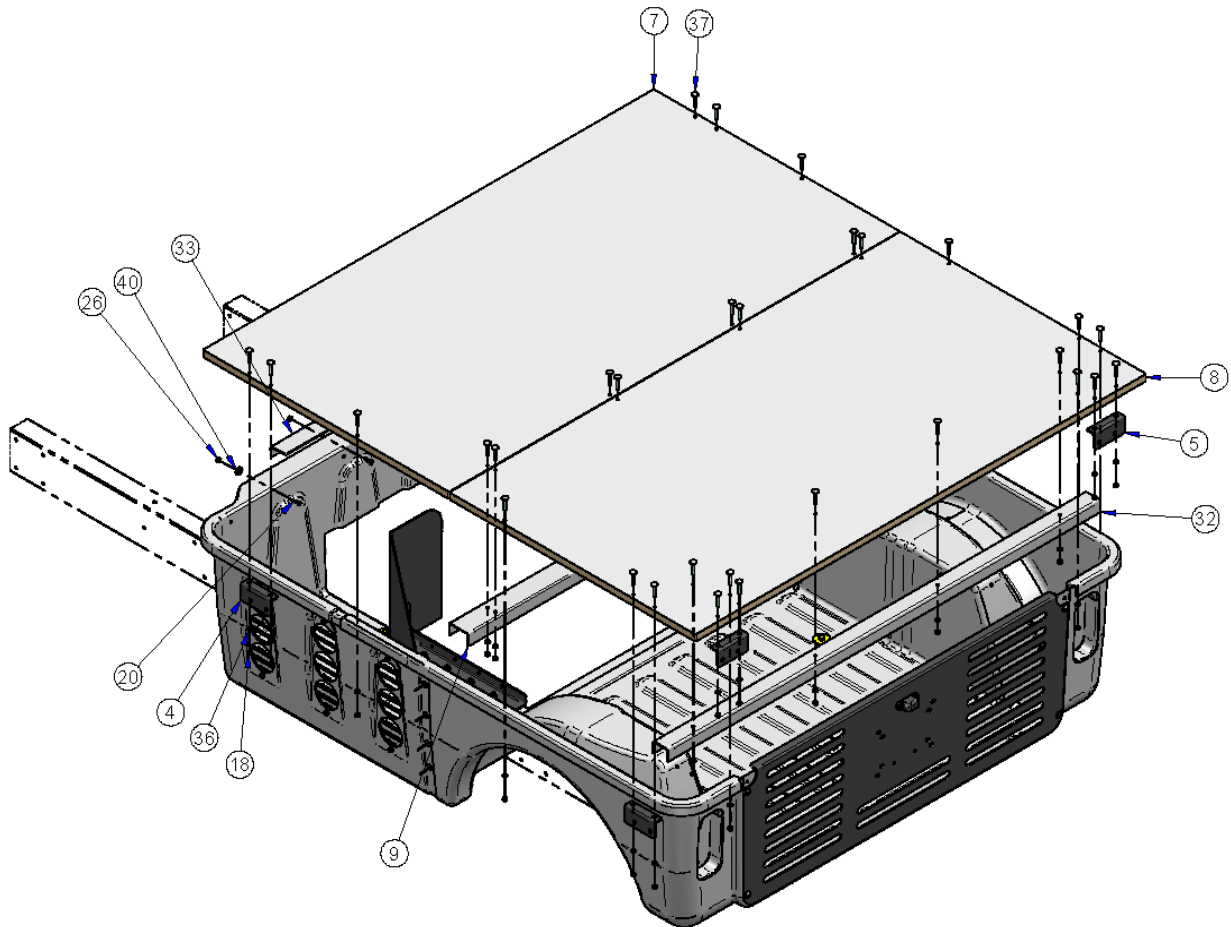
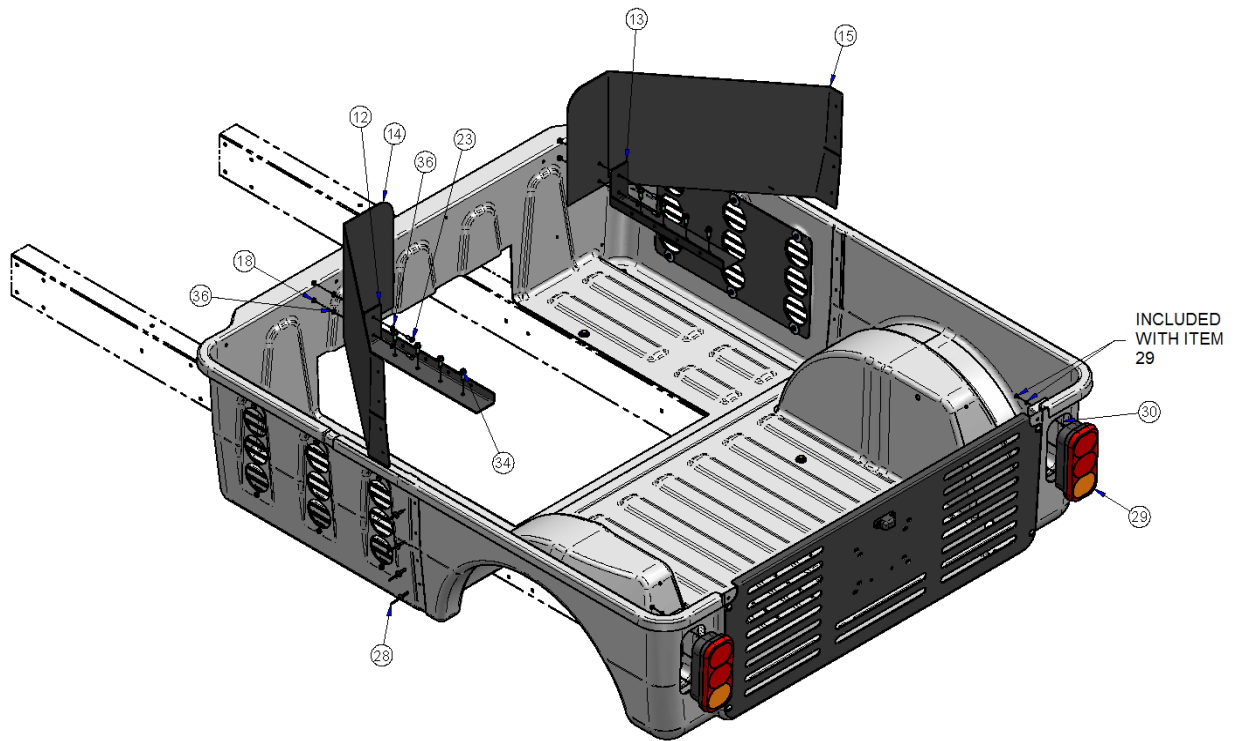
* NOT SHOWN

** SPECIAL ORDER

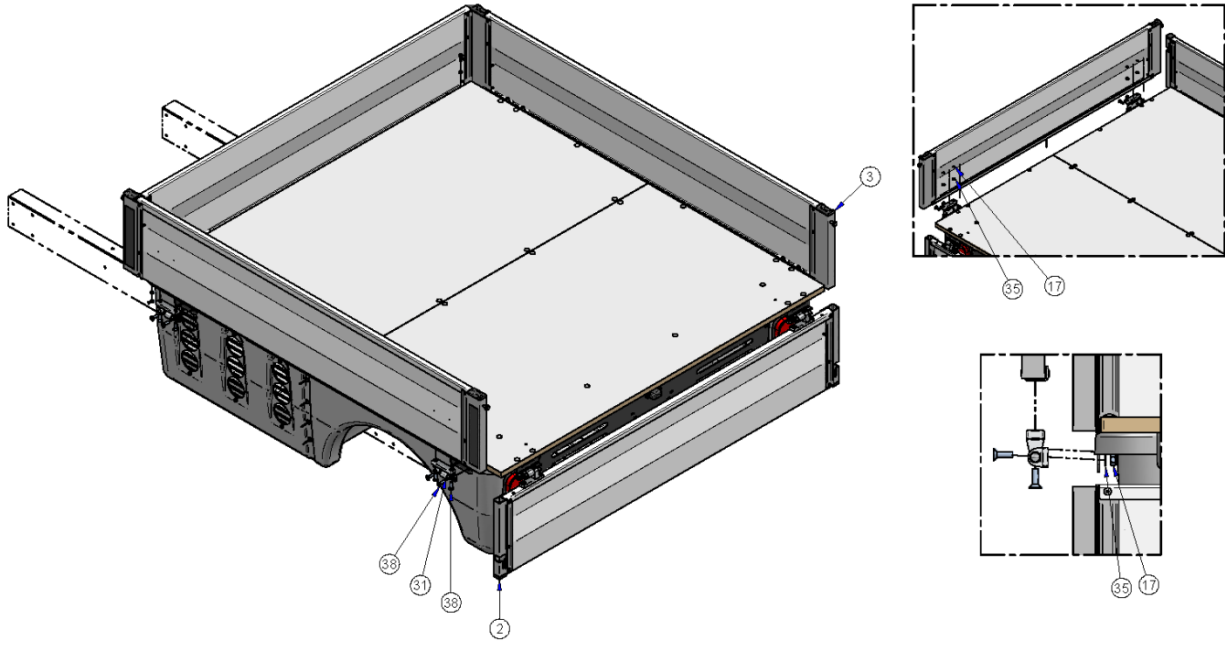
DROPSIDE HVAC - MEGA



DROPSIDE HVAC - MEGA (Cont.)



DROPSIDE HVAC - MEGA (Cont.)



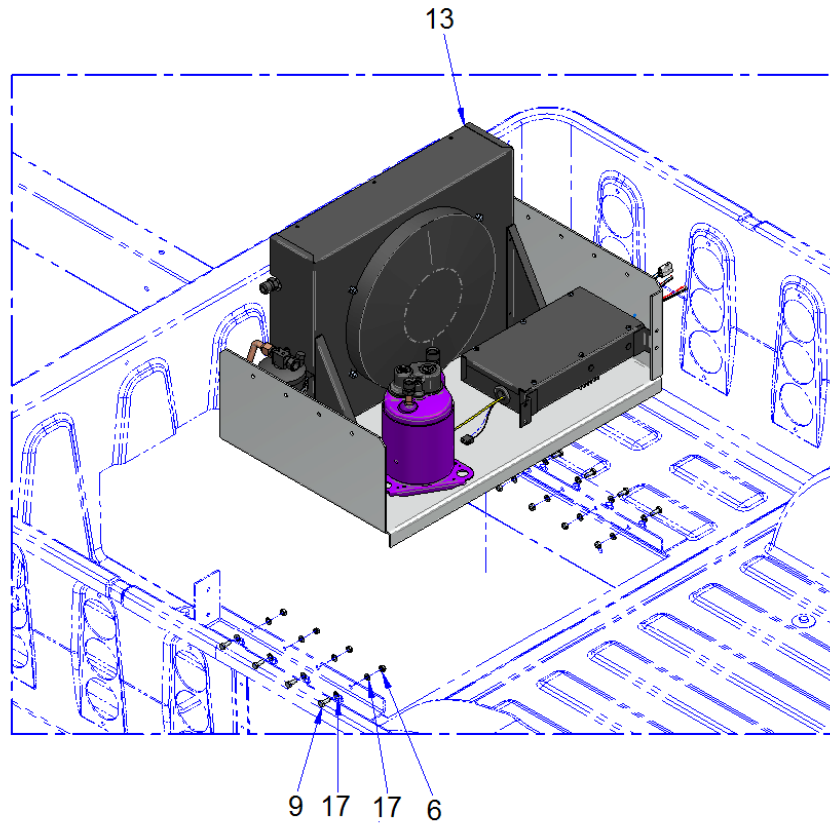
DROPSIDE HVAC - MEGA (Cont.)

ITEM	CPC P/N	DESCRIPTION	QTY	SEATS P/N
1	69008-13	LICENSE LIGHT	1	467887
2	72740-13	END PANEL	2	467941
3	72741-13	DROPSIDE	2	467942
4	72746-08	PLATE, HINGE MOUNT,	2	512916
5	72745-08	HINGE MOUNTING PLATE, REAR	2	512917
6*	66800-10	REAR TRAY SUPPORT BAR	2	512974
7	**	DECK, FRONT	1	515170
8	**	DECK, REAR	1	515171
9	**	SUPPORT, MID, DECK	1	515172
10	**	TRAY, REAR	1	515247
11	**	TAILGATE	1	515248
12	**	BRKT, CPRSR/COND ASSY, LH	1	515249
13	**	BRKT, CPRSR/COND ASSY, RH	1	515250
14	**	PANEL, DUCT, LH	1	515251
15	**	PANEL, DUCT, RH	1	515252
16	**	AIR INLET SCREEN	2	515253
17	**	NUT,M8-1.25,L/N,NYLOCK,ZC	24	708528
18	7961	LOCK NUT, M6 x 1.0	62	708934
19	3615	SCREW, 10-24X1/2PHILLIPS,BLK ZNC	52	719467
20	2665	SCREW, 10-24 X 5/8 PHILLIPS PHM	5	719584
21	2871-W	SCREW, 5/16-18 X 1-1/4, HHCS, G5, YWZC	6	719592
22	31067-63	.324 ID X 1.63 OD X .06 STL FW	6	719597
23	4001	SCREW, M6 X 20 CLS10.9, HHCS ZC	36	719645
24*	6703-B	WASHER, 1/4, SAE,F/W,BLK MAX	2	719811
25	6716	WASHER, #10, SAE,F/W,BLK MAX	2	719812
26	7624	NUT 10-24 GR A NM MACH NYLON LOCK	7	719870
27	8206	KNURLED INSERT, 5/16-18 YWZC	6	719929
28	8684-B	RIVET, #68 X 3/6, ABA, LF, BLK ANNODIZED	8	719946
29	72759-08	TAIL LIGHT	2	760106
30	72760-08	TAILLIGHT HOUSING	2	760235
31	72744-08	HINGE, PANEL	6	760262
32	72743-08	PLATE, REAR FLOOR SUPPORT	1	760265
33	72747-08	PLATE, BODY SECURING	1	760269
34	**	SCREW, 5/16-12 X 1, HWH, T/S, ZC	8	760951
35	46267-08	WASHER, 8MM,F/W,ZC	24	781397
36	46265-08	WASHER, 6MM,F/W,ZC	78	781406
37	**	SCREW, M6-1.0 X 35MM, CARR, C8.8, ZC	30	781408
38	**	SCREW, M8-1.25 X 25MM, FSHCS, ZC	24	781411
39		WASHER, 3/16X3/4 FENDER	6	781440
40	**	WASHER, 3/16 X 3/4, FENDER, ZC	5	781638
41	**	WASHER- 0.281 x 1.250 x 0.062, ZC	12	781662
42	2600	SCREW, 5/16-18X3/4,TSL,M/S,18-8,S/S	4	781738
43		KNRL INSERT 5/16-18 RNG	4	782109

* NOT SHOWN

** SPECIAL ORDER

HVAC – MEGA



ITEM	CPC P/N	DESCRIPTION	QTY	SEATS P/N
1**	72455-08	MACH, MEGA HEATER AIR HOSE	1	467647
2**	*	PLATE, DASH VENT, HVAC	1	515315
3**	*	BRACKET, HTR/EVAP ASSY	1	515316
4**	*	HOSE, DASH VENT, HVAC	1	515325
5**	19135-13	SCREW, 1/4-14X1 HWH TEK ZC	2	708636
6	7961	LOCK NUT, M6 x 1.0	8	708934
7**	10043	CABLE TIE, BLACK, .18 X 11 - 3/4, STD, 50LB	3	719504
8**	2638	SCREW,#6X3/4,PPH, TAP	8	719577
9	4001	SCREW, M6X20 CLS10.9, HHCS ZC	10	719645
10**	7266	WASHER, 1/4 X 1", FENDER, BLK ZC	6	719856
11**	9906	TERMINAL,16/14 INS, 1/4 MALE TAB	1	719973
12**	72453-08	CAGE, FAN WINDSCREEN	1	760036
13	*	KIT, HVAC	1	760950
14**	*	CONTACT, DEUTSCH, 0460-204-12141	2	760970
15**	*	RECEPTACLE, DEUTSCH, DTP04-2P	1	760971
16**	*	WEDGE LOCK, DEUTSCH, WP-2P	1	760972
17	46265-08	WASHER,6MM,F/W,ZC	18	781406
18**	*	SCREW, 1/4-14X1 1/4 HWH TEK ZC	2	781908

* SPECIAL ORDER

** NOT SHOWN