



**Columbia ParCar Corp.
Parts Manual**

Utilitruck

EU4-S, EU4-L, EU24-L

PREFACE

Welcome, and congratulations on your choice of the Columbia Electric Vehicle from Columbia ParCar Corp.!

Some of the equipment in this manual may not apply to your vehicle, depending on which model you have.

If your vehicle is a Neighborhood Electric Vehicle (NEV) or a Low Speed Vehicle (Summit) they meet the requirements of the National Highway Traffic & Safety Administration (NHTSA) as stated in the Code of Federal Regulations, Title 49, Part 571, Standard 500, Low Speed Vehicles.

To the best knowledge of Columbia ParCar Corp., the material contained herein is accurate as of the date this publication was approved for printing. Columbia Par-Car Corp. is not liable for errors in this manual or for incidental or consequential damages that result from the use of the material in this manual. Columbia ParCar Corp. reserves the right to change specifications, equipment or designs at any time without notice and without incurring obligation.

This manual contains proprietary information that is protected by copyright. All rights are reserved. No part of this manual may be photocopied, reproduced, or translated to another language without the written consent of Columbia ParCar Corp.

Columbia ParCar Corp. products are manufactured under one or more of the following U.S. Patents - 2986162, 2987934, 3116089, 3144631, 3144860, 3229792, 3434887, 3559773, 3673359, 3680403, 3683716, 3709317, 4648473, Des. 225626.



Columbia ParCar Corp.

A member of the Nordic Group of Companies
1115 Commercial Avenue, Reedsburg, WI 53959
Phone - 608.524.8888 Fax - 608.524.8380
www.parcars.com

INDEX

SECTION 1 Accelerator and Brake Linkage

Hand Parking Brake Hydraulic Brakes.....	1-1
Accelerator/Hydraulic Brakes.....	1-3
Hydraulic Brake Pedal Linkage	1-7
Hydraulic Brake Lines & Fitting.....	1-9
Accelerator Assembly- Mechanical Brakes.....	1-11
Mechanical Brake Pedal Assembly W/O Lights.....	1-13
Mechanical Brake Pedal Assembly W/ Lights.....	1-15
Mechanical Brake Pedal Rod Attachment	1-17
Parking Brake Catch	1-18
Mechanical Brakes W/LAD	1-19

SECTION 2 Steering and Front Suspension

Hub Assembly	2-1
Steering Column	2-2
Front Suspension	2-4
Rack & Pinion Assembly	2-8
Calipers	2-9

SECTION 3 Rear Suspension, Motor and Axles

Rear Suspension, Axle and Motor	3-1
Motor	3-3
Axle EU4	3-4
Axle EU24	3-7
Gear Set.....	3-9
Axle Brace Kit.....	3-10
Mechanical Brake Assembly.....	3-11
Hydraulic Brake Assembly	3-13
Heavy Duty Hydraulic Brake Assembly	3-14

SECTION 4 Body, Seating and Console Instrumentation

Body Bench.....	4-1
Body Bucket Seats.....	4-3
Bucket Seats	4-5
Console	4-6
Dash.....	4-7
Turn Switch Assembly.....	4-10
Front Hood & Cover	4-11
Front Wraparound Bumper	4-12
Front Durobumper.....	4-13
Rear Bumper.....	4-14
Rear Bumper with Receiver	4-15
Hitches	4-16
Seatbelts Bench	4-17
Seatbelts Bucket	4-19
Wheels	4-20

SECTION 5 Electrical System

Main Wire Harness.....	5-1
Main Wire Harness Schematic.....	5-2
12 V Electrical Accessory Wiring	5-3
DC/DC Converter Wiring.....	5-4
12 V Electrical Accessory	5-5
DC/DC Converter Schematic	5-6
12 V Accessory Schematic	5-7
Back-Up Lights Harness Schematic with DC-DC Converter	5-8
Back-Up Lights Harness Schematic Ace +	5-9
Control Panel Components	5-10
Charger & Battery	5-11
Delta Q Charger With Remote Led.....	5-13
Pot Box Adapter Harness.....	5-14

SECTION 6 Accessories

Battery Watering System	6-1
Decks/Bed Extension.....	6-2
Steel Box with Tailgate NO LONGER AVAILABLE	6-3
Dome Light.....	6-4
Enclosures	6-5
Folding Steel Sides	6-6
Amber Strobe Light Cab/Suntop	6-7
Amber Strobe Light w/Mast.....	6-8
Mirrors	6-9
Windshields.....	6-10
Windshield Wiper	6-11
Raindrain Suntop, Bench	6-13
Raindrain Suntop, Bucket	6-15
80" Suntop, Bench	6-17
80" Suntop, Bucket.....	6-19
115" Suntop, Bench	6-21
115" Suntop, Bucket.....	6-23
Poly Cargo Dump Box.....	6-25
Heater.....	6-29
Overhead Rack	6-30
Cargo Box	6-31
Extended Cargo Box.....	6-33

Note:

Starting in February of 2015, Columbia started implementing the use of textured black paint instead of satin black on certain accessories. When ordering black coated parts it may be necessary to state if they have the satin finish or the textured finish.

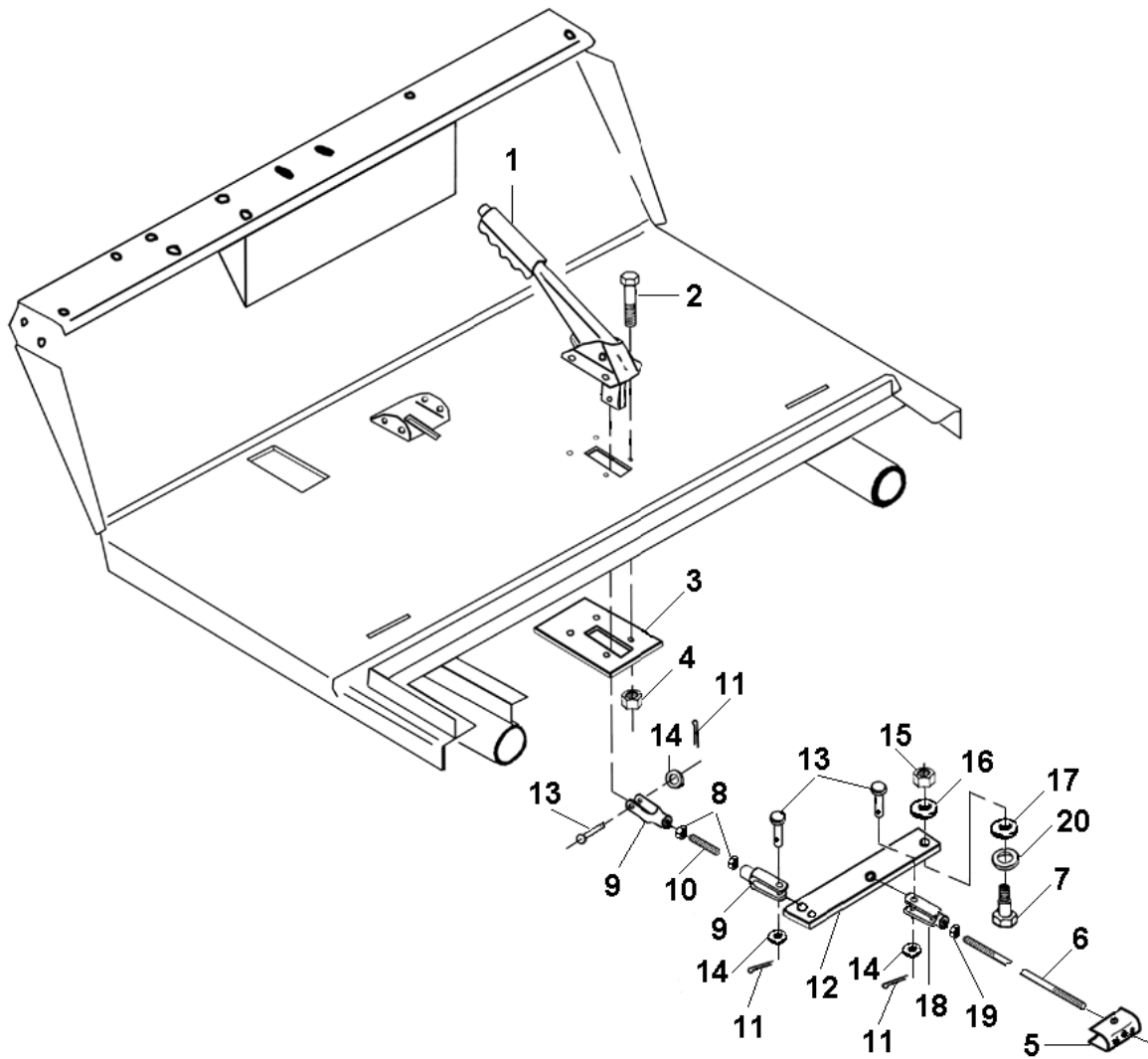
CHANGE HISTORY -EU		
DATE	DESCRIPTION	BY
8/15/2011	Issued	TS
10/23/13	Updated accessory harness	TS
0/28/13	Added side panel to console	TS
1/8/14	Changed RH steering spindle assembly	TS
1/21/14	Added accessories	TS
4/23/14	Added CPC P/N's for rails	TS
5/6/14	Added that windshield cannot ship UPS>	TS
7/16/14	Noted that steel box kits are no longer available	TS
7/17/14	Deleted 1008 seats	TS
1/20/15	Changed heater information	TS
3/3/15	Added note about the black finish changing	TS

Utilitruck Parts Manual

Section 1

Accelerator and Brake Linkage

HAND PARKING BRAKE HYDRAULIC BRAKES - EU

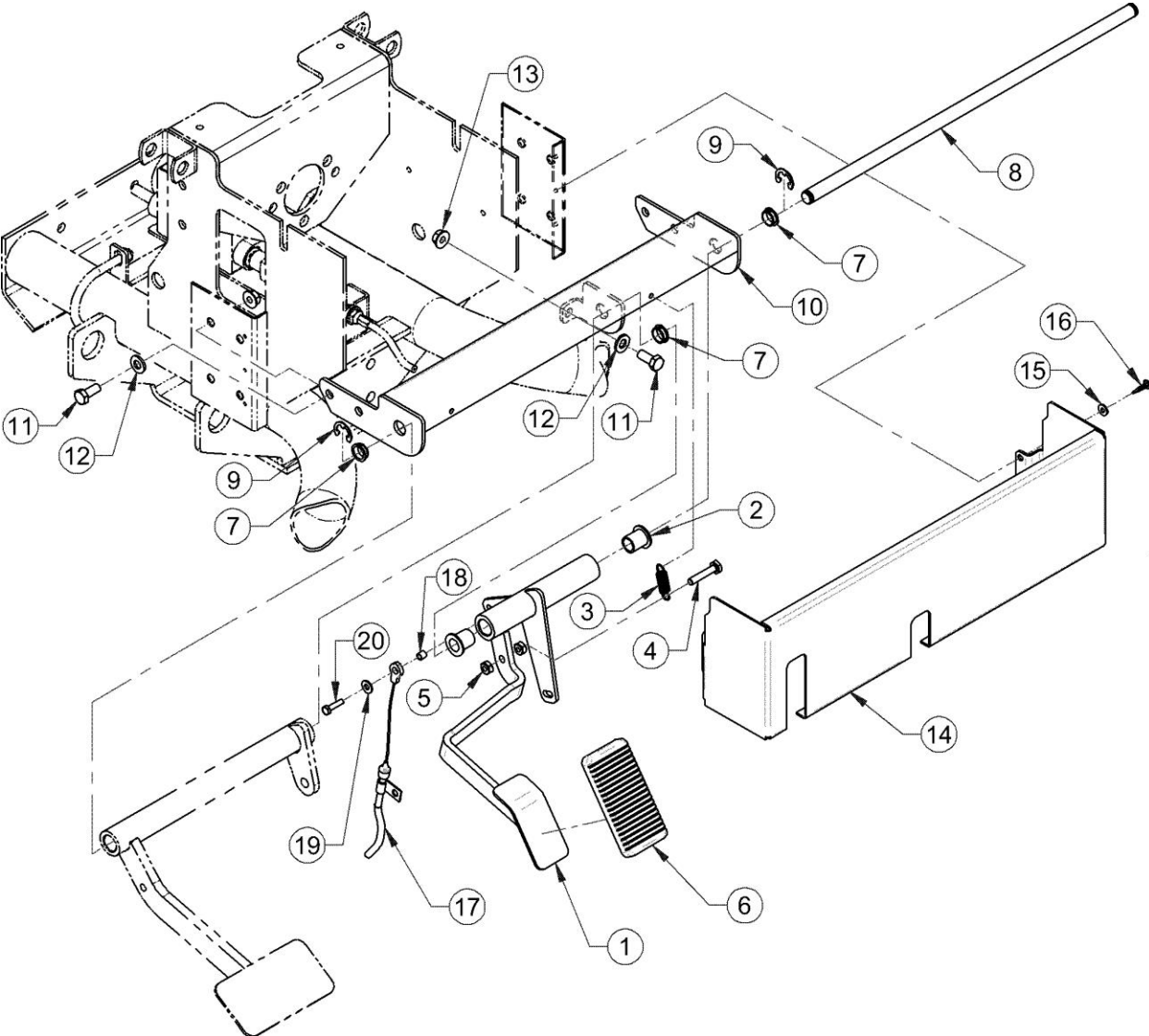


HAND PARKING BRAKE HYDRAULIC BRAKES - EU

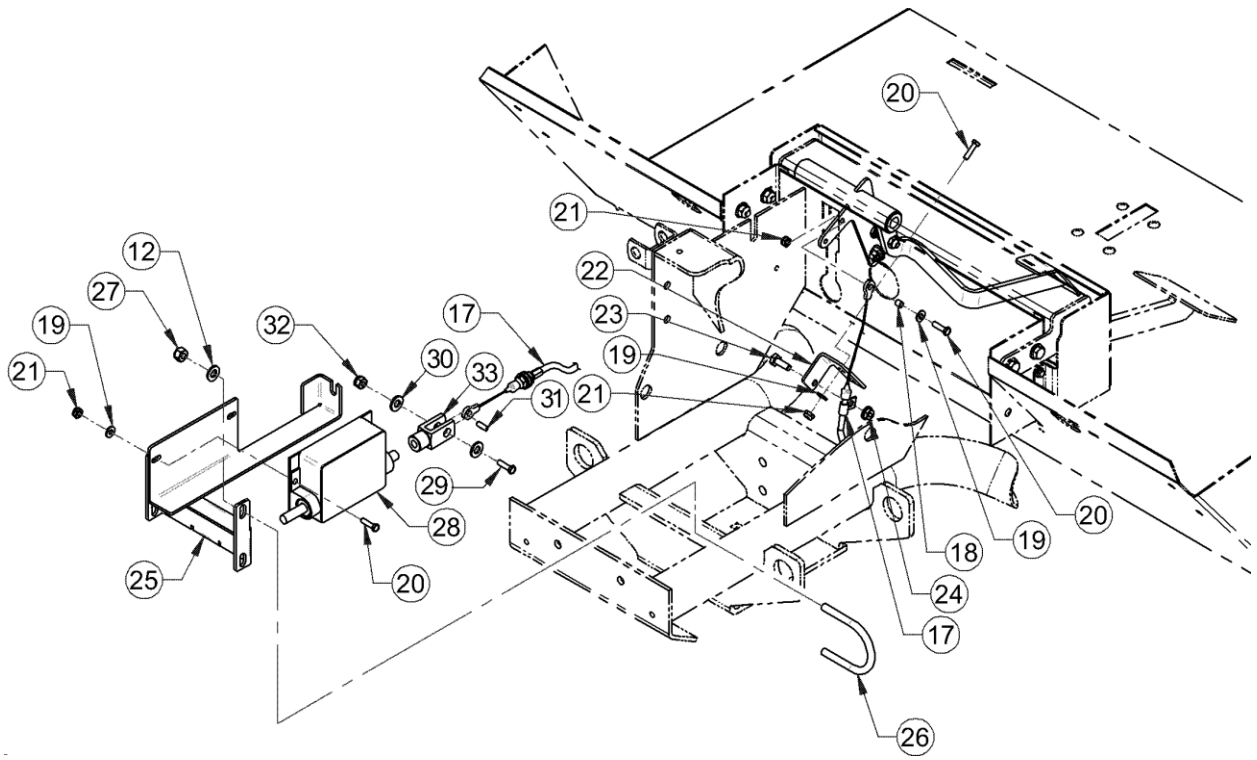
ITEM	CPC P/N	DESCRIPTION	QTY	SI P/N
1	41422-98	HAND BRAKE ASSEMBLY	1	307741
2	5400-BS	BOLT, 5/16-18 X 1, CARRIAGE, GR 5	4	719744
3	42671-98	LEVER, SUPPORT PLATE	1	510346
4	7525	NUT 5/16X18 SERRATED FLANGE	4	719864
5	42402-89	BRAKE CABLE EQUALIZER	1	509154PL
6	*	BRAKE ROD, 1/4-28X26.75 THREADED	1	719053
7	2645	SCREW 1/2X1/2 STNLS SOC SHOULDER	1	719580
8	7744	NUT, 5/16-24HEX JAM	2	719895
9	73062-86A	YOKE, CLEVIS, #52, 5/16-24 RH	2	719852
10	24820-96	THREADED STUD, 5/16-24X3	1	719558
11	533	PIN, COTTER 5/64X1, 18-8SS	2	719743
12	42454-98	PARKING BRAKE PULL ARM	1	510207
13	499	PIN 1/4X1 1/2, CLEVIS	2	719715
14	6703-B	WASHER 1/4	2	719811
15	7755	NUT, 3/8-16, L/N, FLG, TOP	1	760721
16	6565	WASHER, .515X.812X.063	1	719799
17	6568-B	WASHER .515X.812X.134	1	719802
18	73062-86A	CLEVIS #51 1/4-28	1	719854
19	7676	NUT, 1/4-28 HEX	1	719874
20	6005	WASHER, 1/2	1	719772

* SPECIAL ORDER

ACCELERATOR/HYDRAULIC BRAKES - EU



ACCELERATOR/HYDRAULIC BRAKES – EU (Cont.)



ACCELERATOR/HYDRAULIC BRAKES – EU (Cont.)

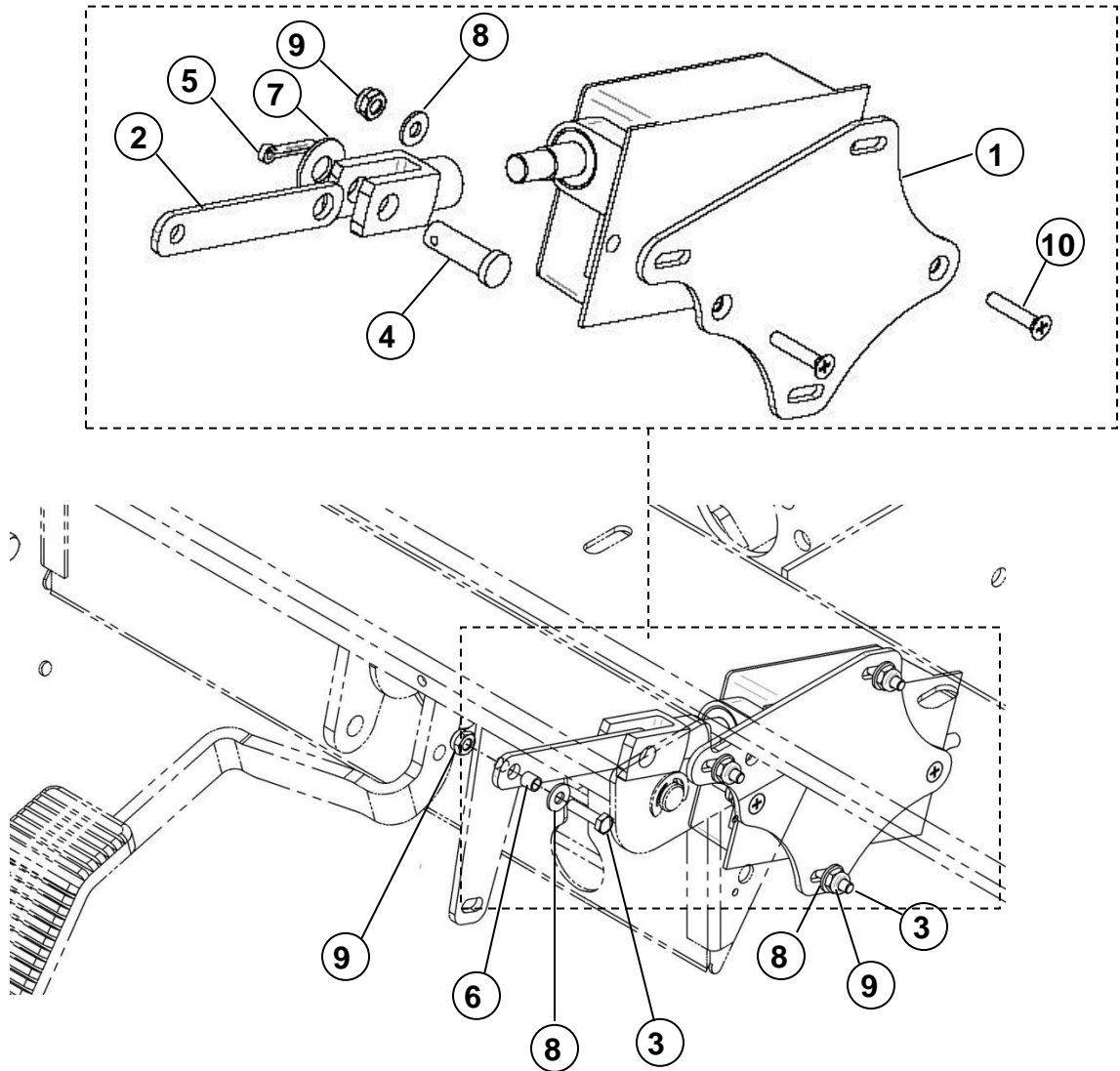
ITEM	CPC P/N	DESCRIPTION	QTY	SEATS P/N
1	42437-02	ACCELERATOR PEDAL	1	306726
2	10514	BEARING, .50" ID X .62" OD X .75" L, FLANGED	2	719262
3	11816	SPRING, ACCELERATOR PEDAL RETURN	1	709711
4	3993	SCREW, 1/4-20 X 1-1/4, HHCS, GR 5	1	719644
5	7688-B	NUT, 1/4-20, HEX, FULL, GR 2	2	719880
6	40582-02	PAD, ACCEL PEDAL	1	709808
7	10515	BEARING, CLIP, .500" I.D.	3	719093
8	42361-02	ROD, PEDAL PIVOT	1	709817
9	11040	E-RING, .562, REINFORCED PHOS	2	719515
10	106725	PEDAL MOUNT	1	306725
11	3987-BS	SCREW, 5/16-18 X 3/4, HHCS, GR 5	1	719642
12	6702-B	WASHER, 5/16, SAE FLAT	2	719810
13	7525	NUT, 5/16-18, SERRATED FLANGE LOCK, GR A	1	719864
14	42434-02	COVER, PEDAL MODULE	1	510411
15	6912-B	WASHER, # 8, SAE FLAT	1	719817
16	2653-B	SCREW, 10-16 X 3/4, HWH, TEK	1	719583
17**	40553-07A	CABLE, SPEEDSWITCH	1	760641
18	5760	SPACER, .192 ID X .25 OD X .25 THK, BRASS	1	719769
19	6716	WASHER, #10, SAE, FLAT	3	719812
20	2339	SCREW, 10-24 X 3/4", HHMS	3	719551
21	7624	NUT, 10-24, NM NYLOC, GR A	3	719870
22**	70228-07	TAB, CABLE MOUNTING	1	511335
23**	3787-B	SCREW, 1/4-20 X 3/4, HHCS, G5	1	719636
24**	7724-B	NUT, 1/4-20, SERRATED FLANGE LOCK, GR A	1	719887
25**	40551-07	MOUNTING BRACKET -LINEAR ACCELERATOR	1	308613
26**	5211	U-BOLT, 5/16-18 X 2 11/16" DP X 2" W X 1" THD	1	719734
27**	7739	NUT, 5/16-18, NE, NYLOC, GR A	1	719892
28	70226-07	LINEAR ACCELERATOR DEVICE	1	759803
29**	708649	SCREW, 10-24X1 1/4 HH	1	708649
30**	6716	WASHER, # 10	2	719812
31**	759824	SPACER, NYLON	1	759824
32**	7624	NUT, 10-24 NYLOCK	1	719870
33	73064-07	CLEVIS YOKE	1	759808
34	15050-02	PEDAL ASSEMBLY, BRAKE & ACCELERATOR (INCLUDES ITEMS , 3, 7 – 10, 35 & BRAKE PEDAL COMPONENTS, page 1-7)	1	460161
35	40580-02	ASSEMBLY, ACCELERATOR PEDAL INCLUDES ITEMS 1, 2 & 4 - 6	1	461524

* ITEM NOT SHOWN

** See page 1-6. These parts are not used on vehicles equipped with a LAD push rod link.

ACCELERATOR/HYDRAULIC BRAKES - EU (Cont.)

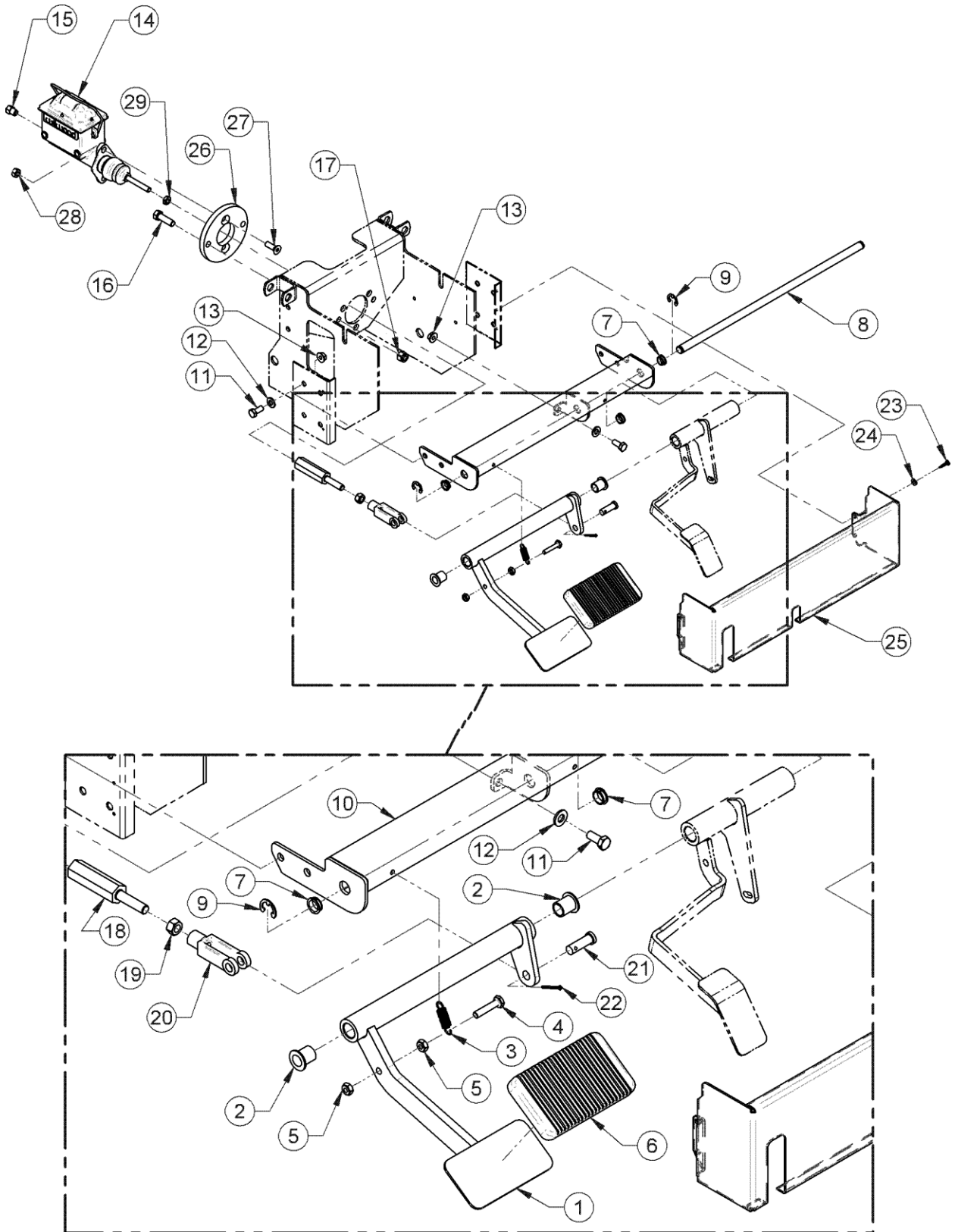
1



ITEM	CPC P/N	DESCRIPTION	QTY	SEATS P/N
1	43250-10	LAD PUSH LINK MOUNT PLATE	1	513454
2	43251-10	LAD PUSH LINK	1	513455
3	2339	SCREW, 10-24X3/4 HEX HD	4	719551
4	516	CLEVIS PIN, 3/8X1 1/8	1	719727
5	520-W	PIN, COTTER 1/8X1	1	719728
6	5760	SPACER, BRASS	1	719769
7	6000-B	WASHER 5/16	1	719771
8	6716	WASHER, # 10	9	719812
9	7624	NUT, 10-24 NYLOCK	6	719870
10	925	SCREW, 10-24X1, PFH	2	781603
11	40670-10	KIT, LAD PUSH LINK (Includes above Items)	1	192056U

See Technical Service Bulletin SB 10-010 for this installation.

HYDRAULIC BRAKE PEDAL LINKAGE - EU

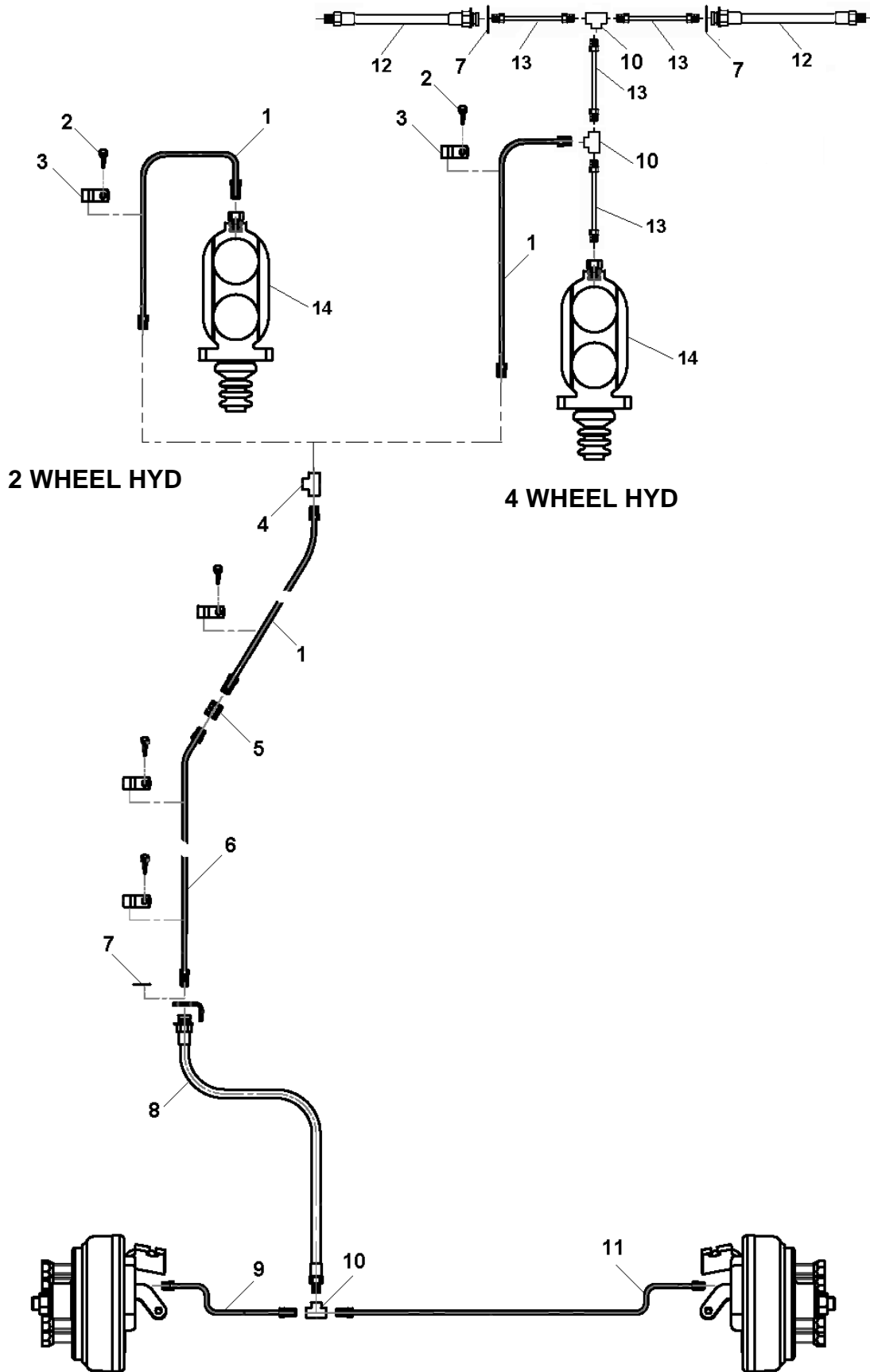


HYDRAULIC BRAKE PEDAL LINKAGE – EU (Cont.)

ITEM	CPC P/N	DESCRIPTION	QTY	SEATS P/N
1	*	BRAKE PEDAL	1	306727
2	10514	BEARING, FLANGED, .50" ID X .62" OD X .75" L	2	719262
3	11816	SPRING, ACCEL PEDAL RETURN	1	709711
4	3993	SCREW, 1/4-20 X 1-1/4, HHCS, G5	1	719644
5	7688-B	NUT, 1/4-20, HEX FULL, GR 2	2	719880
6	42438-02	PAD, BRAKE PEDAL	1	709807
7	10515	BEARING CLIP, .500" I.D.	3	719093
8	42361-02	ROD, PEDAL PIVOT	1	709817
9	11040	E-RING, .562 REINFORCED PHOS	2	719515
10	42433-02	WLDMT, PEDAL MOUNT	1	306725
11	3987-BS	SCREW, HEX HEAD CAP 5/16-18X3/4 G5	5	719642
12	6702-B	WASHER FLT STL 5/16 BLK MAXCOAT	5	719810
13	7525	NUT 5/16-18 GR A SERRATED FLNG LOCK	5	719864
14	41858-08	MASTER CYL, BRAKE, .750" BORE	1	760318
15	41224-00	ADAPTER, HYD BRAKE 1/2-20 TO 3/16"	1	709618
16	4716-W	SCREW, HX HD CAP 3/8-16 X 1 ¼ G5	2	719694
17	7778	LOCKNUT, 3/8 - 16 HEX NYLOK	2	719902
18	41868-08	PUSH ROD ADAPTOR	1	760319
19	7800-W	NUT 3/8-24 GR 2 HEX FULL YWZC	1	719903
20	73066-02	CLEVIS #53 3/8-24 ADJ YOKE END YWZC	1	719855
21	516	CLEVIS PIN, 3/8X1-1/8 YELLOW/ZINC	1	719727
22	533	COTTER PIN 5/64 X 1 18-8 STAINLESS	1	719743
23	2653-B	SCREW, 10-16 X 3/4, HWH, TEK, HC BLK	4	719583
24	6912-B	WASHER, #8 TYPE A PLAIN, BLACK ZINC	4	719817
25	42434-02	SURROUND PEDAL MODULE	1	510411
26	47094-08	MASTER CYLINDER ADAPTOR PLATE	1	512625
27	781154	SCREW, 5/16-18 X 1, FSHCS	2	781154
28	7739	NUT, 5/16-18, NYLOC, GR A	2	719892
29	7744	NUT, 5/16-24, HEX JAM, GR 2	1	719895

* SPECIAL ORDER

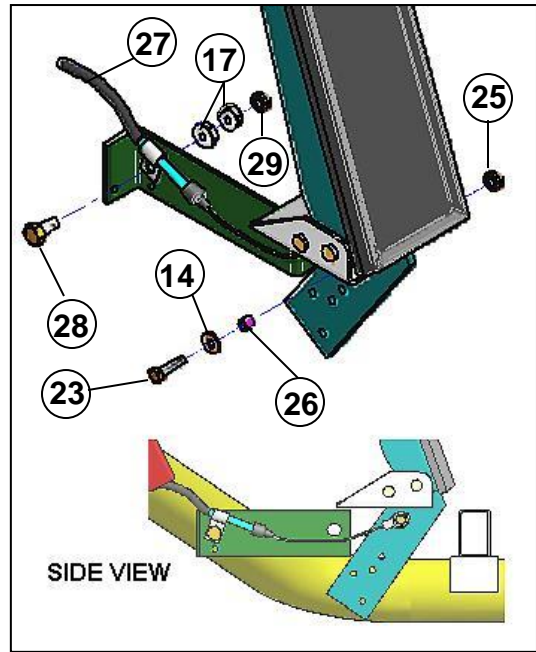
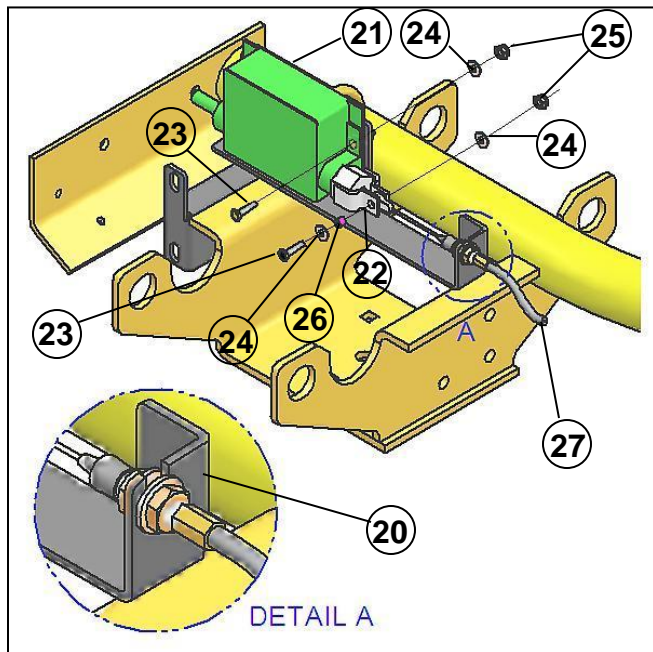
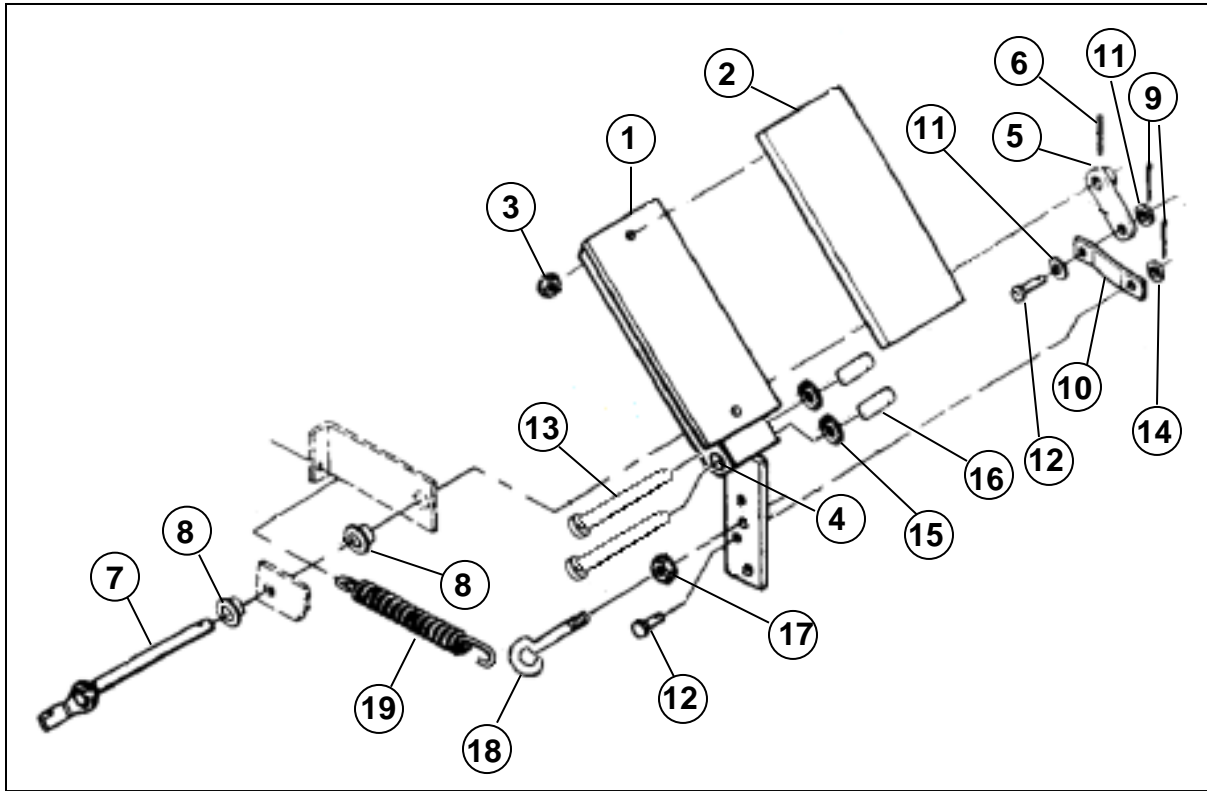
HYDRAULIC BRAKE LINES & FITTINGS - EU



HYDRAULIC BRAKE LINES & FITTINGS – EU (Cont.)

ITEM	CPC P/N	DESCRIPTION	2 HYD QTY	4 HYD QTY	SEATS P/N
1	41222-00	LINE, BRAKE, 3/16 X 20"	2	2	709358
2	2653-B	SCREW, 10-16 X 3/4, HWH, TEK, HC BLK	6	6	719583
3	9982	CLAMP STEEL TUBING 1/4	6	6	719756
4	69729-00	CONNECTOR, 3-WAY	1	1	508959
5	41206-00	UNION, INVERTED FLARE, 3/16	1	1	719657
6	41220-00A	BRAKE LINE 3/16X60	1	1	759841
7	11040	E-RING, .562 REINFORCED PHOS	1	3	719515
8	41216-00	HOSE, HYDRAULIC, FLEX, 22"	1	1	709430
9	41223-00	LINE, BRAKE, 3/16 X 8"	1	1	709601
10	41842-94	UNION TEE, 3/16" HYD BRAKE TUBE	1	3	709377
11	41440-02	LINE, BRAKE, 3/16 X 30"	1	1	709232
12	41431-02	BRAKE LINE, 3/8-24X3/16X6"	N/A	4	709812
13	41837-96	HOSE, BRAKE, HYD, FLEX 19.5:	N/A	2	709635
14	41858-08	MASTER CYLINDER .75" BORE	1	1	760318

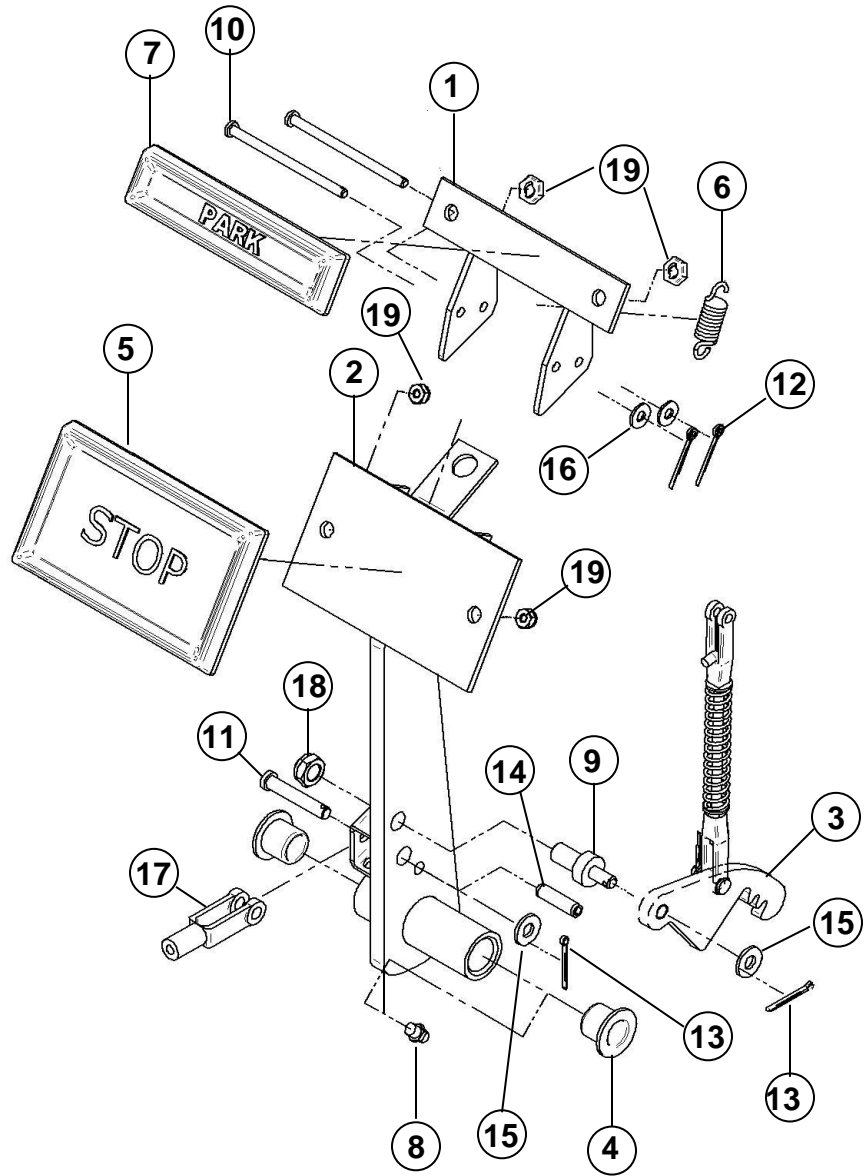
ACCELERATOR ASSEMBLY- MECHANICAL BRAKES - EU



ACCELERATOR ASSEMBLY- MECHANICAL BRAKES – EU (Cont.)

ITEM	CPC P/N	DESCRIPTION	QTY	SEATS P/N
1	40508-00	PEDAL ACCELERATOR	1	305729
2	40511-00	ACCELERATOR PEDAL PAD	1	709075
3	8128	SPEEDNUT 1/4	2	719922
4	10500	BUSHING PLASTIC (Both sides)	2	719508
N/A	40452-00	ACCELERATOR PEDAL ASSY (Includes Items 1 thru 4)	1	461448
5	40801-89	LINK ASSEMBLY	1	510197
6	601	PIN, ROLL .133X3/4"	1	719773
7	40805-89A	SHAFT, KICKOFF	1	510196
8	10502	BUSHING, KICKOFF SHAFT	2	719509
9	533	PIN, COTTER 5/64X1"	2	719743
10	40803-89A	LINK	1	709079
11	6150-W	WASHER, STEEL	2	719781
12	497	CLEVIS PIN 5/16X7/8	2	719713
13	319	CLEVIS PIN 1/4X3 1/2"	2	719598
14	6716	WASHER # 10	1	719812
15	5290	PALNUT, 1/4	2	719740
16	11437	CAP, BLACK VINYL	2	719527
17	7724-B	NUT, 1/4-20, L/N SER-FLG	3	719887
18	5240	EYEBOLT, 1/4-20X1, TURNED	1	719739
19	11805-96	SPRING, EXTENSION 8.2 LBS/IN	1	709076
20	40551-07	MOUNTING BRACKET	1	308613
21	70226-07	SEVCON LINEAR ACCEL.	1	759803
22	73064-07	M10-1.5 CLEVIS YOKE	1	759808
23	2339	SCREW, 10-24X3/4	4	719551
24	6702-B	WASHER # 10	4	719810
25	7624	NUT 10-24, NYLOCK	4	719870
N/A	70225-07	SEVCON LAD ASSEMBLY (Includes Item 20 and two (2) each Items 21 thru 25)	1	467457
26	5760	SPACER, BRASS	2	719769
27	40553-07A	CABLE, SPEED SWITCH LAD, W/ANTIFREEZE	1	760641
28	2551-W	SCREW, 1/4-20X1 HHC	1	719564
29	7686	NUT, 1/4-20 NYLOCK	1	719879

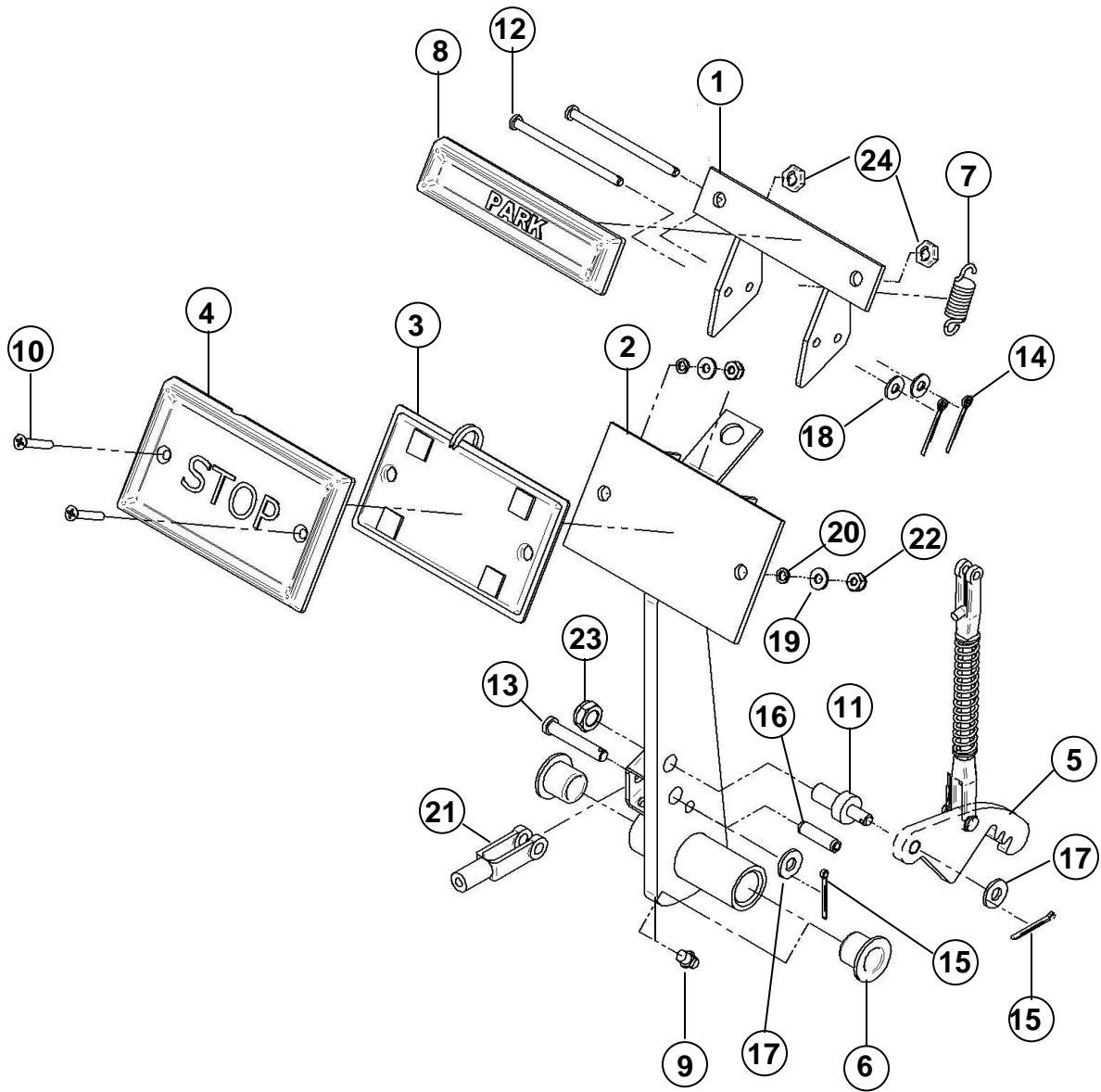
MECHANICAL BRAKE PEDAL ASSEMBLY W/O LIGHTS - EU



MECHANICAL BRAKE PEDAL ASSEMBLY W/O LIGHTS EU (Cont.)

ITEM	CPC P/N	DESCRIPTION	QTY	SEATS P/N
1	42461-92	PARKING BRAKE PEDAL	1	303047
2	42410-92	BRAKE PEDAL	1	303070
3	N/A	PARKING BRAKE CATCH (See page 1-16 for components)	1	467300
4	26251-30A	BRAKE TUBE BUSHING	2	709026
5	42407-00	STOP PAD	1	709048
6	42452-86	RETURN SPRING	1	709070
7	42408-00	PEDAL PAD	1	709071
8	9800	GREASE FITTING	1	709110
9	4457	SCREW, 5/8X.25 SHR	1	719689
10	498	PIN, CLEVIS, 3/16X3	2	719714
11	499	PIN, 1/4X1 1/2	1	719716
12	515	COTTER PIN, 1/16X3/4	2	719726
13	533	COTTER PIN, 5/64X1	2	719743
14	611	ROLLED PIN, .25X1	1	719780
15	6703-B	WASHER, 1/4"	2	719811
16	6716	WASHER, #10	2	719812
17	73062-86A	CLEVIS YOKE, 1/4-28 RH	1	719854
18	77776-W	NUT, NYLOCK, 3/8X24	1	719901
19	8128	SPEED NUT 1/4"	2	719922

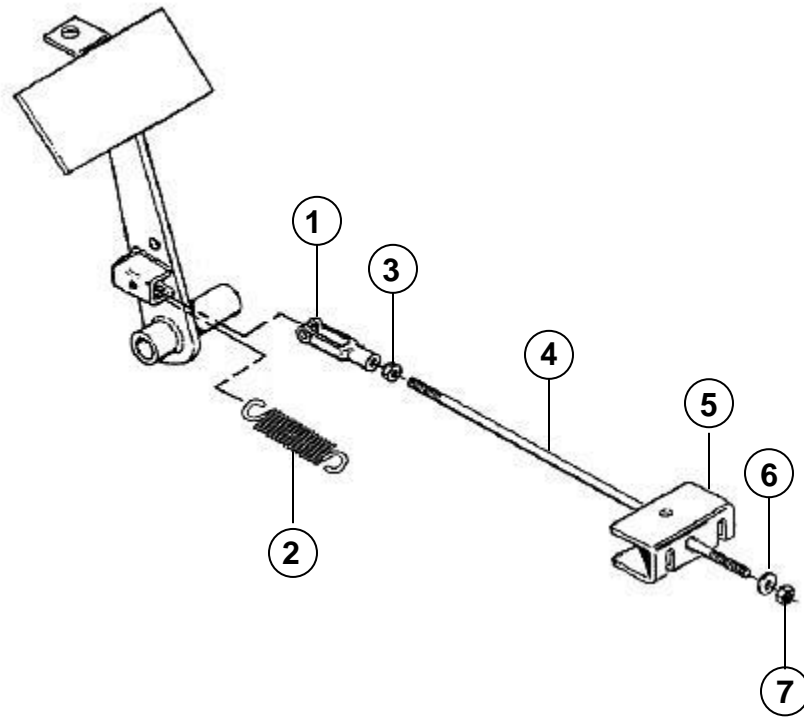
MECHANICAL BRAKE PEDAL ASSEMBLY W/LIGHTS - EU



MECHANICAL BRAKE PEDAL ASSEMBLY W/LIGHTS – EU (Cont.)

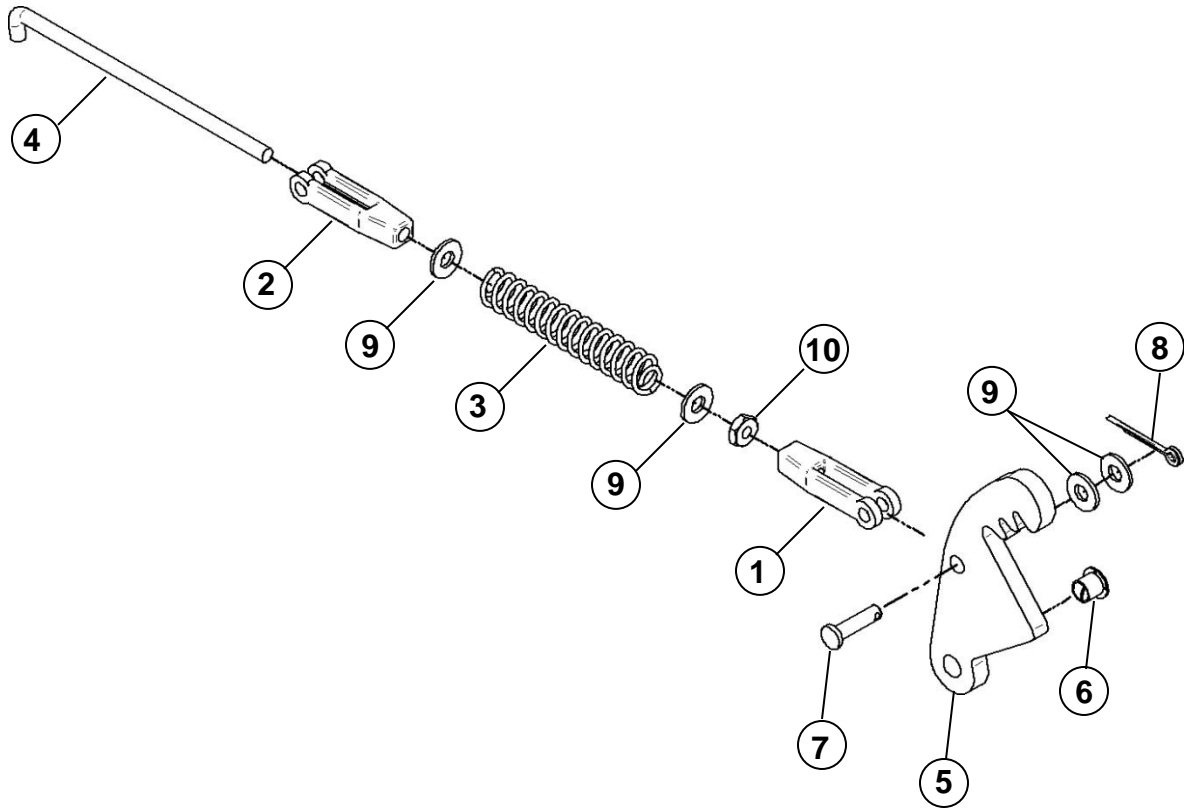
ITEM	CPC P/N	DESCRIPTION	QTY	SEATS P/N
1	42461-92	PARKING BRAKE PEDAL	1	303047
2	42410-92	BRAKE PEDAL	1	303070
3	71522-02	TAPESWITCH BRAKE LIGHT	1	464248
4	42407-00A	BRAKE PAD	1	467084
5	N/A	PARKING BRAKE CATCH (See page 1-18 for components)	1	467300
6	26251-30A	BRAKE TUBE BUSHING	2	709026
7	42452-86	RETURN SPRING	1	709070
8	42408-00	PEDAL PAD	1	709071
9	9800	GREASE FITTING	1	709110
10	2616	SCREW, 8-32X1, PFH	2	719574
11	4457	SCREW, 5/8X.25 SHR	1	719689
12	498	PIN, CLEVIS, 3/16X3	2	719714
13	499	PIN, 1/4X1 1/2	1	719715
14	515	COTTER PIN, 1/16X3/4	2	719726
15	533	COTTER PIN, 5/64X1	2	719743
16	611	ROLLED PIN, .25X1	1	719780
17	6703-B	WASHER, 1/4"	2	719811
18	6716	WASHER, #10	2	719812
19	6912-B	WASHER #8	2	719817
20	7015-B	LOCK WASHER #8	2	719833
21	73062-86A	CLEVIS YOKE, 1/4-28 RH	1	719854
22	7609-W	NUT, NYLOCK #8-32	2	719868
23	77776-W	NUT, NYLOCK, 3/8X24	1	719901
24	8128	SPEED NUT 1/4"	2	719922

MECHANICAL BRAKE PEDAL ROD ATTACHMENT-EU



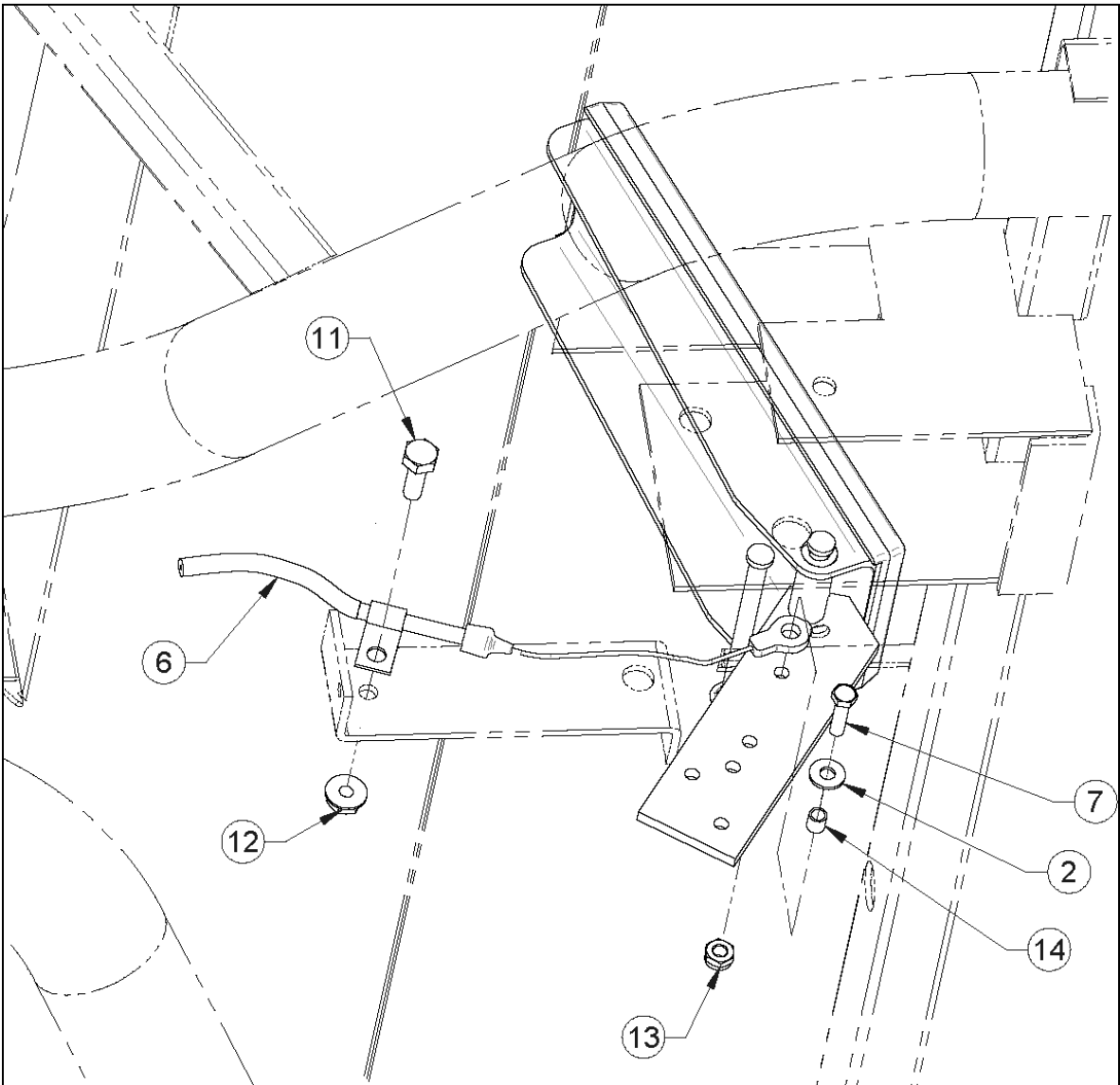
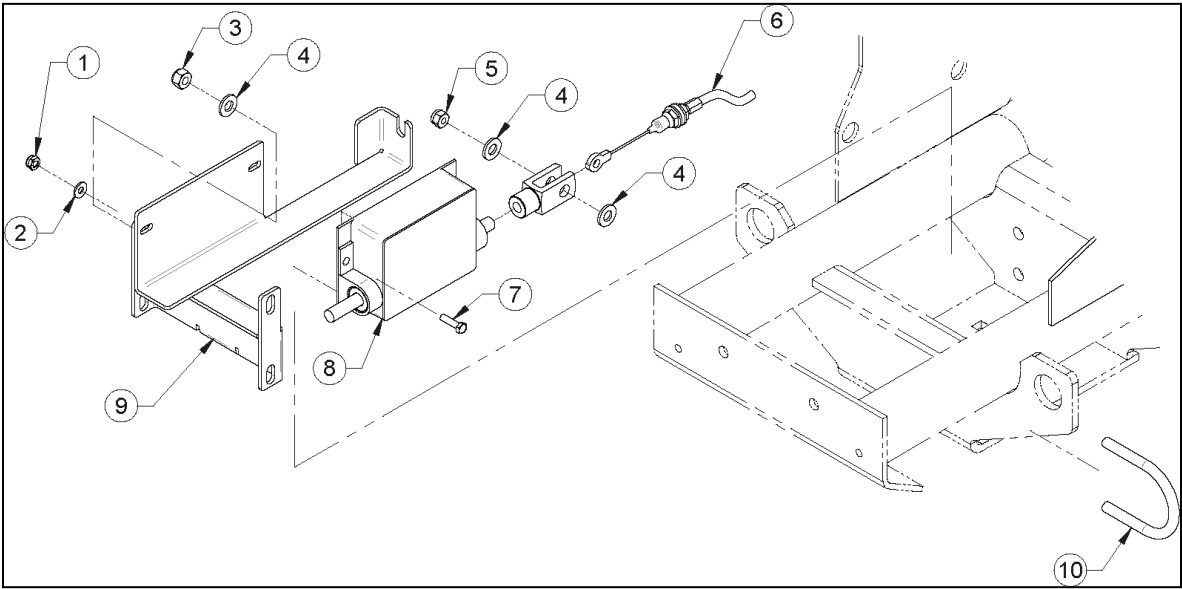
ITEM	CPC P/N	DESCRIPTION	QTY	SEATS P/N
1	73062-86A	YOKE, CLEVIS RH	1	719854
2	40509-67	SPRING EXTENSION	1	709073
3	7676	NUT, 1/4-28 HHC	1	719874
4	42406-00	ROD, 11" EU-S	1	709103
4A	41519-00	ROD, 36.75" EU-L	1	709785
5	42402-89	EQUALIZER	1	509154PL
6	6703-B	WASHER 1/4"	1	719811
7	7683	NUT, 1/4-28, NYLOCK	1	719877

PARKING BRAKE CATCH -EU



ITEM	CPC P/N	DESCRIPTION	QTY	SEATS P/N
1	42456-86	CLEVIS	1	709045
2	42456-91	CLEVIS W/O THREADS	1	709066
3	42457-91	SPRING	1	709067
4	42455-91	ROD	1	709068
5	42451-86	RATCHET	1	709069
6	10500	BUSHING, NYLON	1	719508
7	502	PIN, 3/16X3/4", CLEVIS	1	719718
8	515	PIN, 1/6X3/4" COTTER	1	719726
9	6716	WASHER, #10	4	719812
10	7638	NUT, #10-32 HEX	1	719872

MECHANICAL BRAKES W/LAD - EU



MECHANICAL BRAKES W/LAD - EU (Cont.)

ITEM	CPC P/N	DESCRIPTION	QTY	SEATS P/N
1	7624	NUT 10-24 GR A NM MACH NYLON LOCK	5	719870
2	6716	WASHER, #10, SAE, FW, HC BLACK	8	719812
3	7739	NUT, 5/16-18, NE, NYLON INSERT, GA, YWZC	4	719892
4	6702-B	WASHER FLT STL 5/16 BLK	11	719810
5	7686	NUT 1/4-20 GR A NE NYLON INSERT LCK	1	719879
6	40553-07A	CABLE, SPEEDSWITCH W/ANTIFREEZE	1	760641
7	*	SCR, #10-24 X 1, HH, M/S	1	759810
8	70226-07	LIN ACLTR UNIT -SEVCON	1	759803
9	40551-07	WLDM'T, BRKT, MNT'G -LIN ACLTR UNIT	1	308613
10	5211	5/16-18 X 2 11/16 X 2" X 1" U-BOLT	2	719734
11	2551-W	SCREW, HEX HEAD CAP 1/4-20 X 1 G5	1	719564
12	7724-B	NUT 1/4-20 GR A SERRATED FLNG LOCK	1	719887
13	7624	NUT 10-24 GR A NM MACH NYLON LOCK	3	719870
14	5760	SPACER BRASS, .192 ID X .25 OD X .25THK	1	719769

Utilitruck Parts Manual

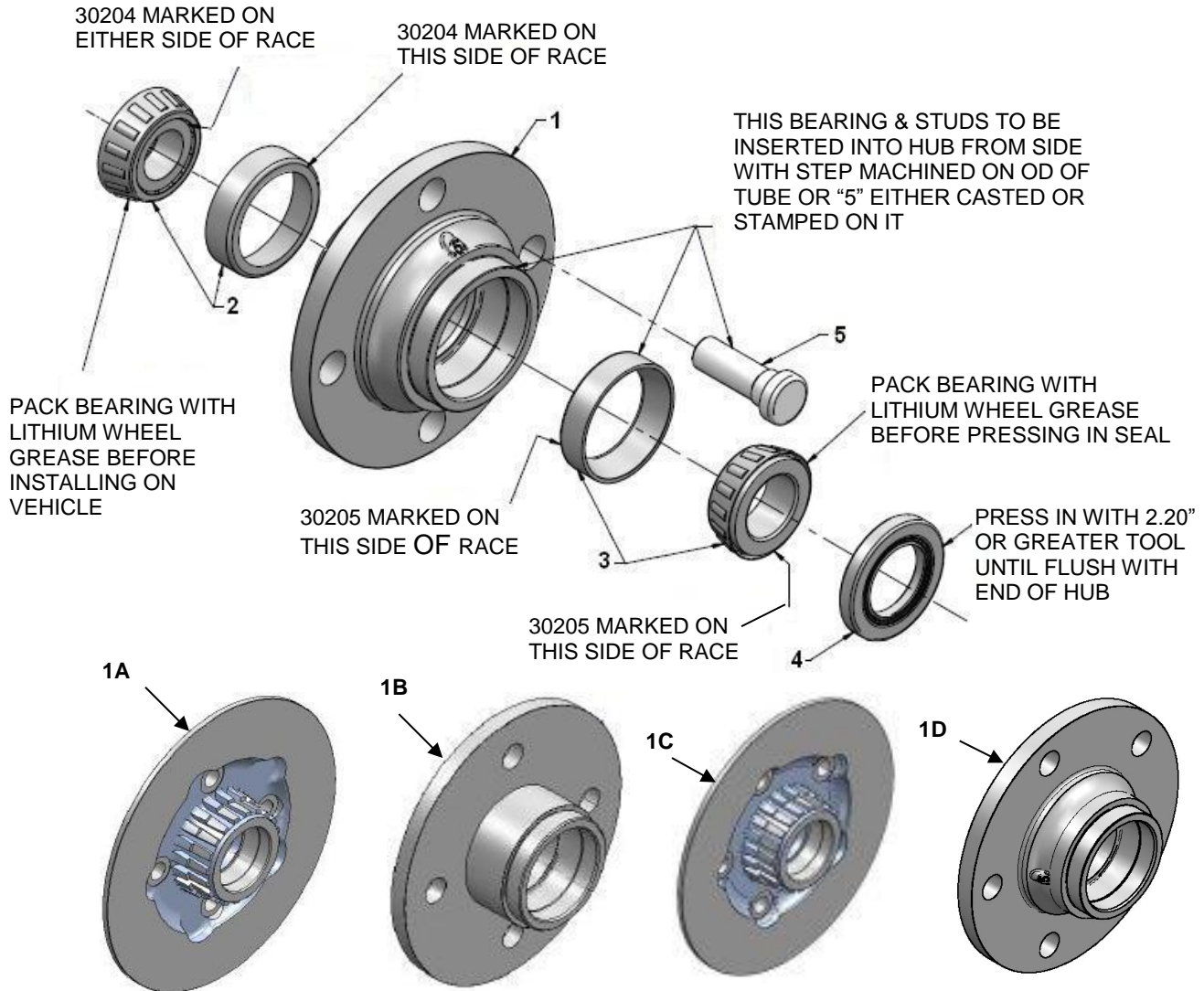
Section 2

Steering and Front Suspension

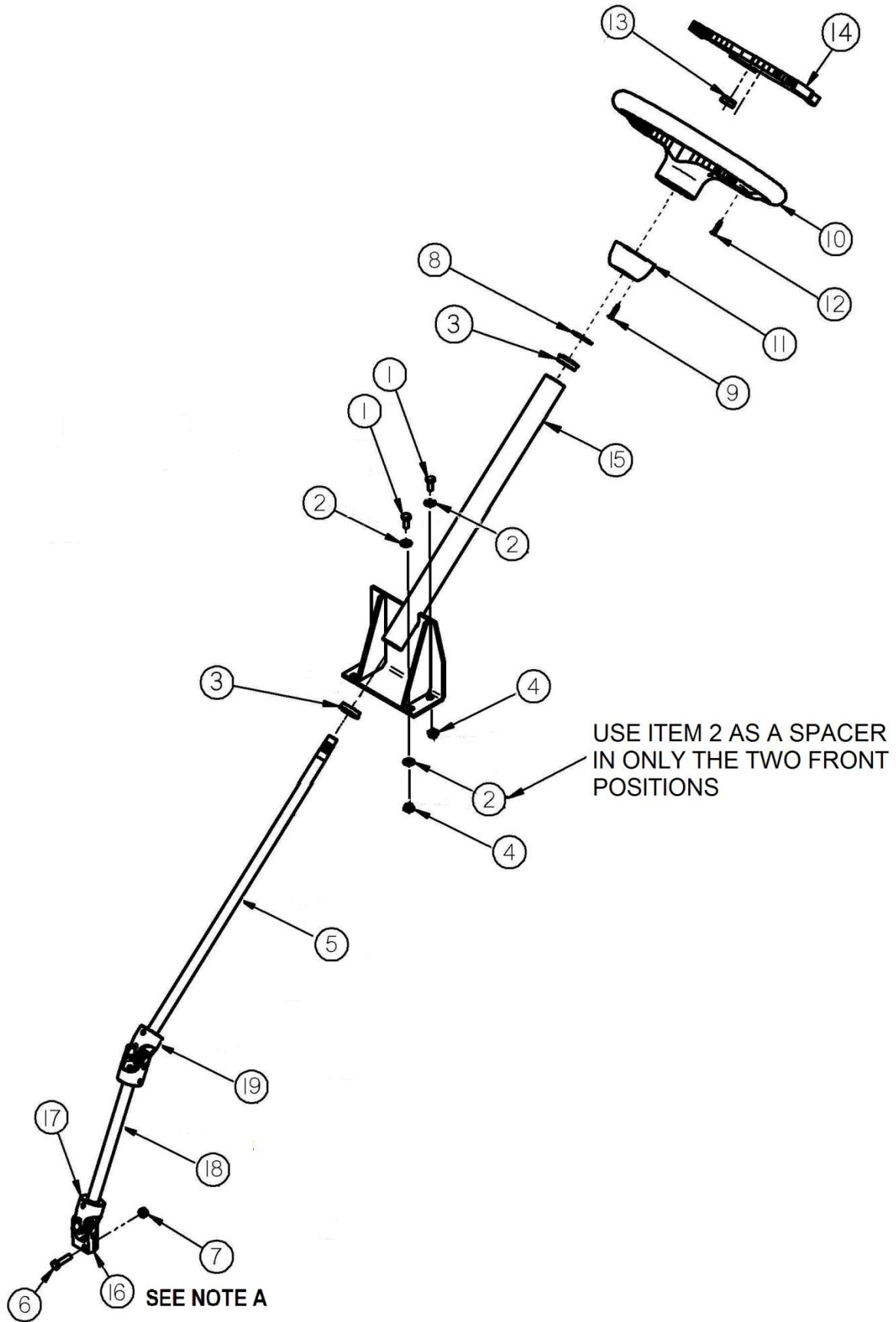
HUB ASSEMBLY - EU

ITEM	CPC P/N	DESCRIPTION	QTY	SEATS P/N
1	*	HUB, 4.90" FLNG, 4 HOLE	1	759875
1A	*	HUB, W/INTEGRAL DISC, 4 HOLE	1	759867
1B	*	HUB, 5.63" OD FLNG, 4 HOLE	1	759869
1C	*	HUB/DISC 5 HOLE	1	759865
1D	*	HUB 5.63 OD, 5 LUG	1	759868
2	83038-07	TAPERED RLR BEARING, 20MM ID (30204)	1	759844
3	83039-07	TAPERED RLR BEARING, 25MM ID (32005X)	1	759843
4	12030	SEAL, OIL	1	709017
5	41199	WHEEL BOLT, 1/2-20 X 1-1/2 G5 YELLOW	4	719655
6	43488-07	ASSY, HUB, W/BRAKES (Contains Items 1, 2 - 5)	1	467765
6A	41033-08	ASSY, HUB DISC, (Contains Items 1A, 2 - 5)	1	467763
6B	43482-07	ASSY, HUB, W/O BRAKES (Contains Items 1B, 2 - 5)	1	467762
6C	41034-08	ASSY, HUB DISC, (Contains Items 1C, 2 - 5)	1	467764
6D	43483-07	ASSY, HUB 5.63 OD, 5 LUG (Contains Items 1D, 2 - 5)	1	467761

* ONLY AVAILABLE AS ITEMS 6 OR 6ABCD



STEERING COLUMN - EU

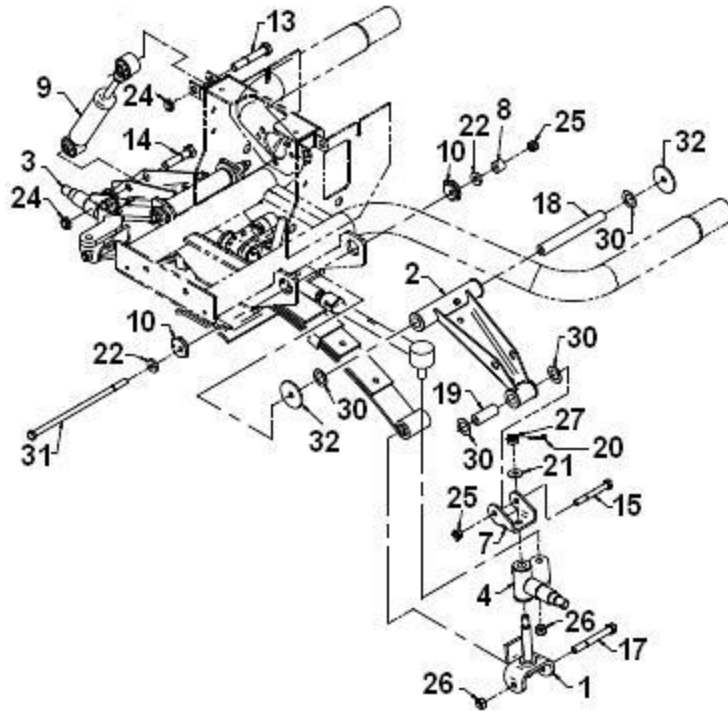


STEERING COLUMN – EU (Cont.)

ITEM	CPC P/N	DESCRIPTION	QTY	SEATS P/N
1	3987-BS	SCREW, HEX HEAD CAP 5/16-18X3/4 G5	4	719642
2	6702-B	WASHER FLT STL 5/16 BLK MAXCOAT	4	719810
3	9029	BALL BEARING, .75 ID	2	709023
4	7525	NUT 5/16-18 GR A SERRATED FLNG LOCK	4	719864
5	57101-08	STEERING SHAFT ASSY, 39.197" OAL	1	759916
6	3925	SCR, 5/16-18 X 1-3/4 HHCS, G8, ZC	1	708746
7	57112-11	NUT, 5/16-18, NYLOK, G8, YWZC	1	781120
8	6656	BUSHING 3/4 X 1-1/2 X 14GA WIDE RIM YWZ	1	719809
9	2638	SCREW, #6X3/4, PPH (USED WITH ITEM 10)	2	719577
10	57069-84	STEERING WHEEL, SPORT	1	709056
11	57098-98	STEERING HUB COVER (USED WITH ITEM 10)	1	709085
12	2641	SCREW, #10 X 1, PPH, TAPPING (Used with Item 14)	3	729263
13	7995	NUT, 5/16-18 GR A NTE NYLON JAM INSERT	1	719919
14	57089-99	SCORECARD HOLDER (USED WITH ITEM 10)	1	709043
15	57141-98	STEERING COLUMN	1	305425
16	57109-08	YOKE ASSEMBLY, BOLT-WELD	1	759918
17	760010	ROLL PIN 1/4X1 3/4	3	760010
18	N/A	INTERMEDIATE SHAFT	1	N/A
19	57108-08	YOKE ASSEMBLY, WELD-WELD	1	759917

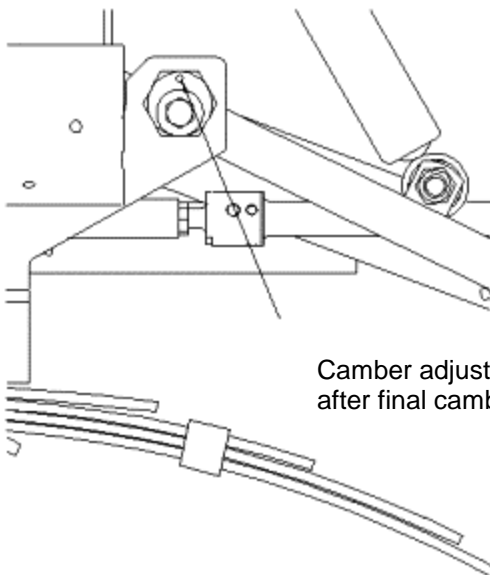
NOTE A: If replacing only the splined yoke see Service Bulletin SB 10-009.

FRONT SUSPENSION - EU



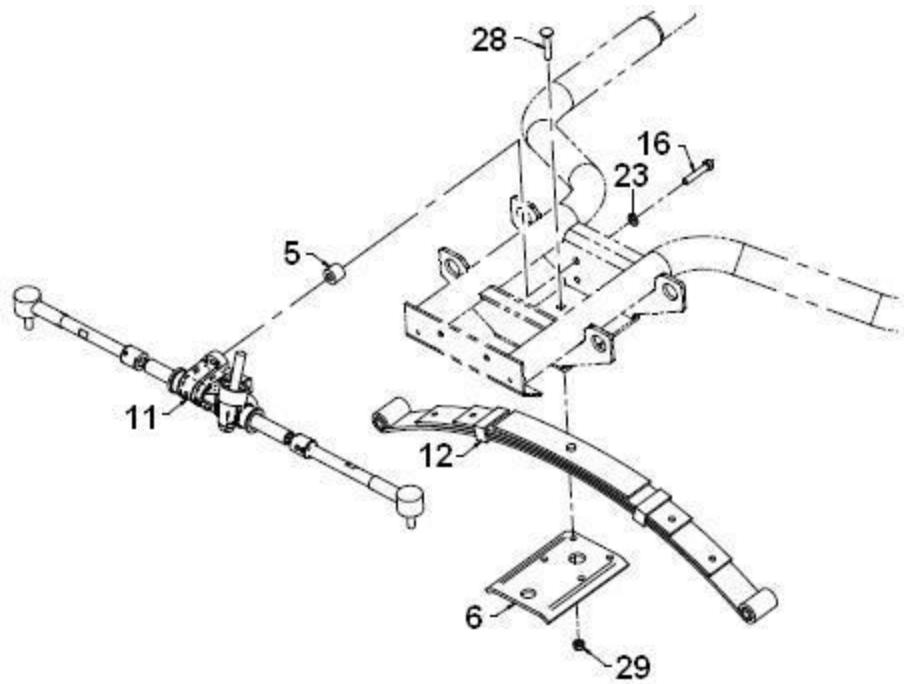
NOTES:

1. Assemble all hardware finger tight. Torque to the following specs after complete assembly.
2. Torque Specifications:
 - Item 10 and 31 to 25 ft. lbs. after final camber adjustment.
 - Item 15 to 35 - 40 ft. lbs.
 - Items 13 & 14 to 45 ft. lbs.
 - Item 27 to 30 ft. lbs.
 - Item 17 to 40 ft. lbs.



Camber adjuster (Item 10) shown in starting position. Torque to 25 ft. lbs after final camber adjustment.

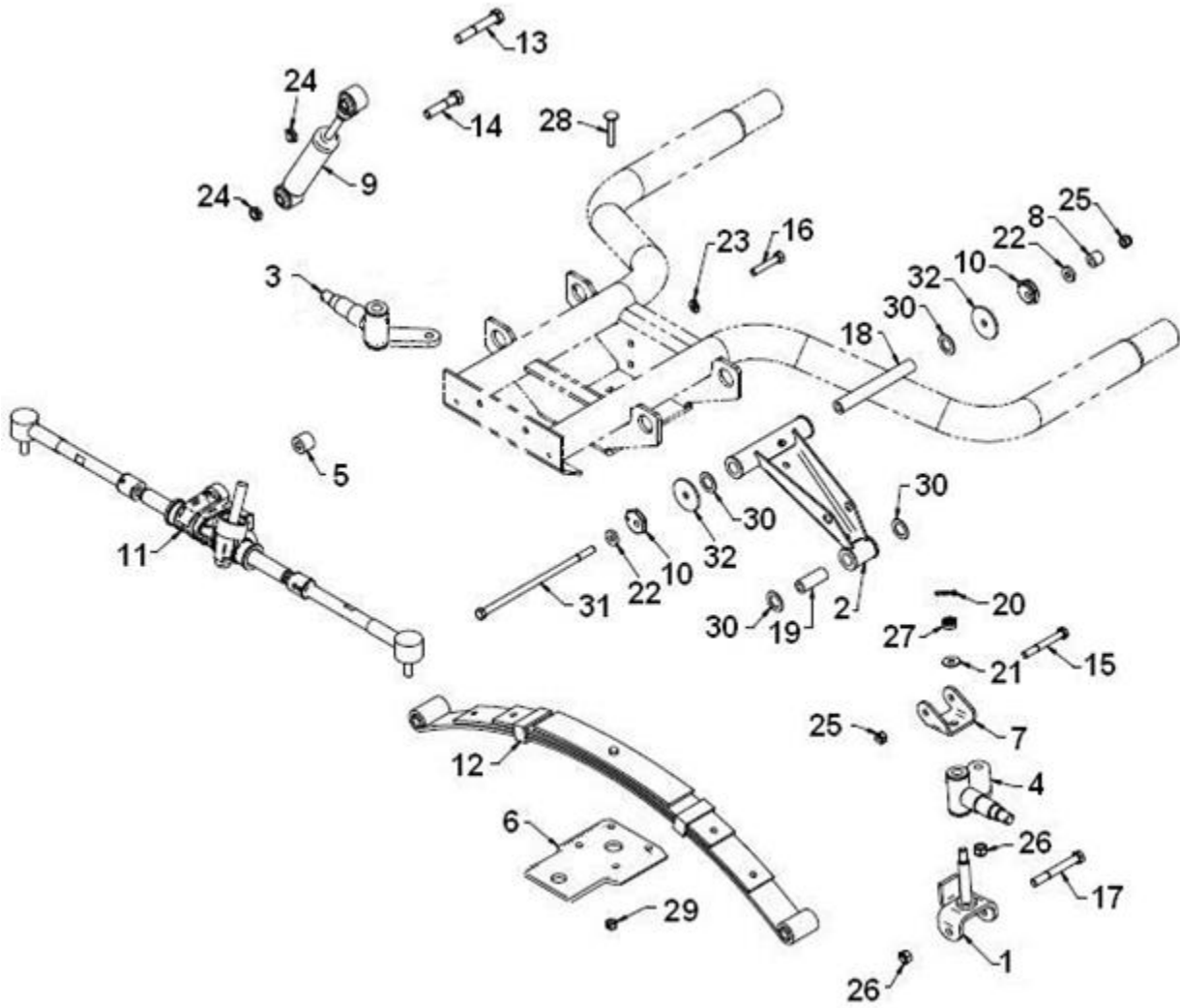
FRONT SUSPENSION – EU (Cont.)



NOTES:

1. Assemble all hardware finger tight. Torque to the following specs after complete assembly.
2. Torque Specifications:
Item 16 to 30 ft. lbs.
Items 28 to 45 ft. lbs. in a crisscross pattern

FRONT SUSPENSION – EU (Cont.)



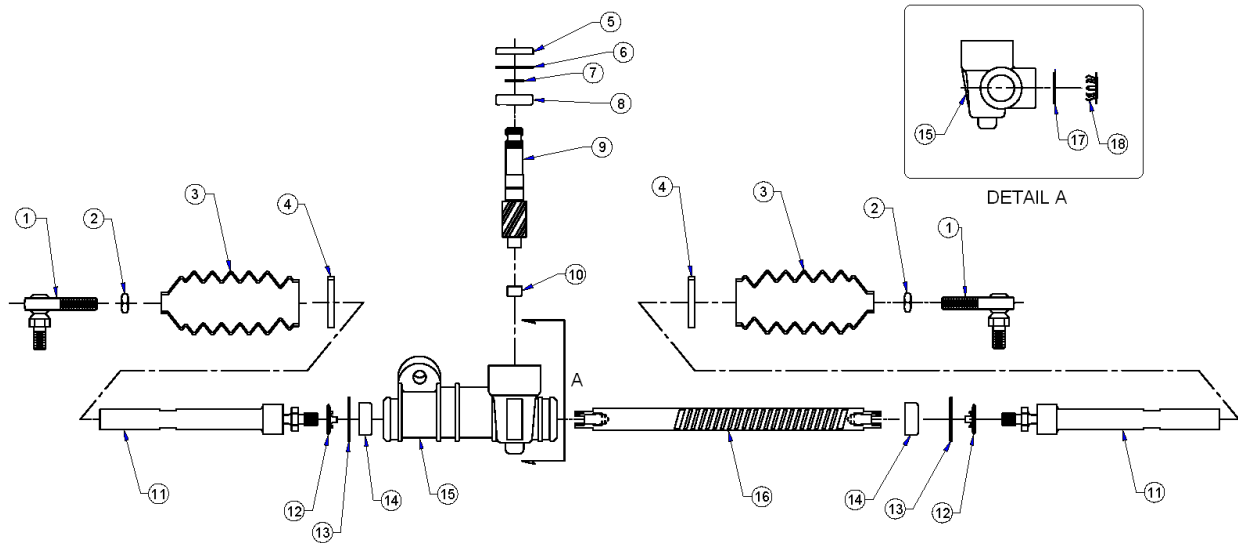
FRONT SUSPENSION – EU (Cont.)

ITEM	CPC P/N	DESCRIPTION	QTY	SEATS P/N
1	57054-90	KINGPIN	2	303088
2	45399-97	A-ARM ASSY	2	461913
*	43937-86	BUSHING .75" ID SINTERED (Included w/Item 2)	2	709010
*	36460-96	BUSHING .75" ID BRONZE (Included w/Item 2)	2	709008
3	57160-88A	ASSY, RH STEERING SPINDLE	1	468816
*	43938-86	BUSHING .75" ID SINTERED (Included w/Item 3)	2	709005
4	58000-88	ASSY, LH STEERING SPINDLE	1	463528
*	43938-86	BUSHING .75" ID SINTERED (Included w/Item 4)	2	709005
5	53961-01	SPACER, RACK AND PINION MOUNT	3	508915
6	54980-09	SPRING PLATE REAINER 1/4	1	513034
7	45407-97	A-ARM MOUNTING BRACKET	2	510188
8	24693-07	SPACER 0.375 ID X 0.750 OD X 0.625	2	511674PL
9	54514-89	SHOCK ABSORBER	2	709006
10	43946-88	CAMBER ADJUSTER, SINTERED METAL	4	709009
11	57226-01	RACK & PINION ASSEMBLY	1	709061
12	43929-95	SPRING, 4-LEAF,	1	709609
*	43945-86	BUSHING SPRING EYE (Included w/Item 12)	2	739129
13	3406	SCREW, 1/2-13 X 3 GRD 5 HHC	2	719610
14	3407	SCREW 1/2-13 X 2-1/4 HEX CAP	2	719611
15	3508	SCREW, 3/8-24 X 3 GRD 5 HHC	2	719625
16	3775	SCREW 3/8-16 x 2 HHCS	3	719634
17	4253	SCR, HX HD 7/16-20 X 3.5 G5	2	719664
18	43950-88	SPACER, .750/.747 X 5.92/5.91	2	719681
19	43952-97	SPACER, .750/.747 X 1.894	2	719682
20	520-W	PIN. COTTER 1/8X1	2	719728
21	708482	WASHER, 7/16" STD. FLAT, THRU-HARD	2	708482
22	6607-W	WASHER FLT STL, YWZC .390X.910X.18	4	719804
23	7038-B	WASHER -3/8" REG SPRG, LOCK, BLK ZC	3	719836
24	7685	NUT, 1/2-13 A NTE NYLON LOCK	4	719878
25	7775	NUT, 3/8-24 GR A NE NYLON INS LOCK	4	719900
26	7825	NUT, 7/16-20, LOCK, GA, NE, NYLON INSERT	4	719908
27	7948	NUT, 7/16-20, SLOTTED	2	719917
28	781111	SCREW, 3/8-16 X 2, CARR., G 8	4	781111
29	7755	NUT, 3/8-16, L/N, GB, YWZC	4	760721
30**	5714	WASHER, .760X1.25X.010 F/W 18-8SS	8	719759
30**	5715	WASHER, .760X1.25X.020 F/W 18-8SS	8	719760
31	3452A	SCREW, 3/8-24 X 9, HHCS, GR5	2	781205
32	6801A	WASHER, .406 X 2.000 X .134, FLAT	4	781206
N/A	43859-07	KIT, 9" A-ARM BOLT (Includes Items 8, 22, 25, 30, 31, & 32)	1	191439U

* NOT SHOWN

** USE 5714 AND/OR 5715 AS REQUIRED TO ACHIEVE SNUG FIT

RACK & PINION ASSEMBLY – EU



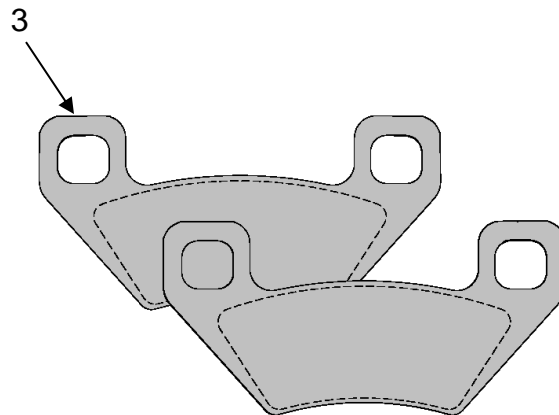
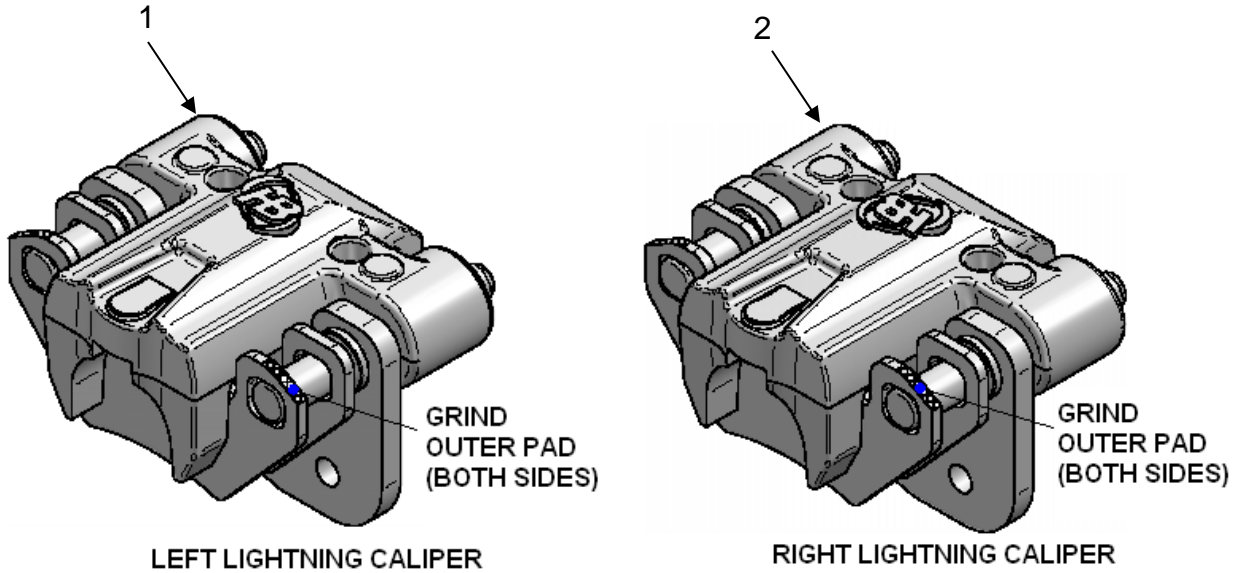
ITEM	CPC P/N	DESCRIPTION	QTY	SEATS P/N
1	43958-00	ROD END	2	709099
2	7829	NUT, M14 X 1.5, JAM - TIE ROD	2	749305
3	57168-00	BOOT, STEERING	2	709106
4	N/A	CLAMP, STEERING BOOT	2	N/A
5	57183-01	SEAL, OIL- PINION	1	739675
6	861	RING, RETAINING - PINION	1	719942
7	862	RING, RETAINING	1	719943
8	9002	BEARING BALL - PINION	1	749707
9	57180-01	PINION STEERING GEAR	1	739674
10	43900-01	BUSHING PINION	1	739123
11	57172-00	BALL JOINT, TIE ROD	2	709101
12	57190-88	LOCK WASHER, STEERING	2	709097
13	57166-88	WASHER, STEERING STOP	2	709100
14	43901-01	BUSHING RACK	2	739124
15	53960-01	HOUSING, RACK & PINION	1	709061
16	57171-01	RACK STEERING GEAR	1	739665
17	11112	O-RING, #22 1 X 1-1/8 X 1/16 BUNA	1	719517
18	63912	PLUG 1" 12 PRONG HOLE ZNC/CLEAR	1	719794
19	57226-01	RACK & PINION ASM (Includes Items 1-18)	1	709061
20*	93250	BALL JOINT REPLACEMENT KIT (Includes Items 1, 3, 7, 11 – 13) SEE NOTE	1	191868U

* NOTE: Kit services one side. Item 4 is replaced with a cable tie, P/N 10043

BRAKE CALIPERS – EU

ITEM	CPC P/N	DESCRIPTION	QTY	SEATS P/N
1	41253-04	CALIPER LH LIGHTNING HAYES	1	719421
2	41253-04	CALIPER RH LIGHTNING HAYES	1	719420
3	41863-05	BRAKE PAD KIT	2	719458

NOTE: Outer pad must be machined before use. See SB12-002 for details.



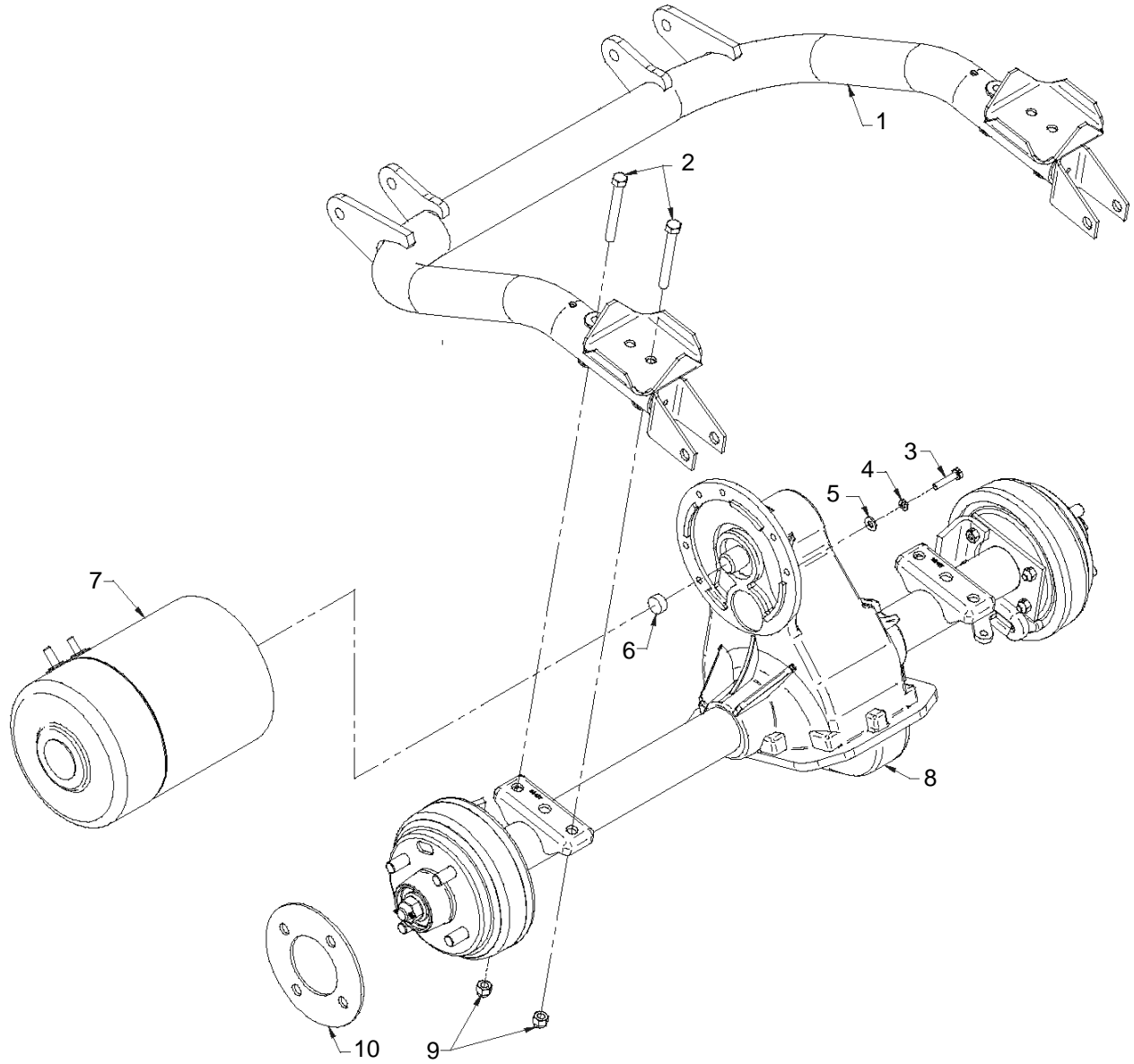
Brake Pad Kit as shown will require machining of one pad.

Utilitruck Parts Manual

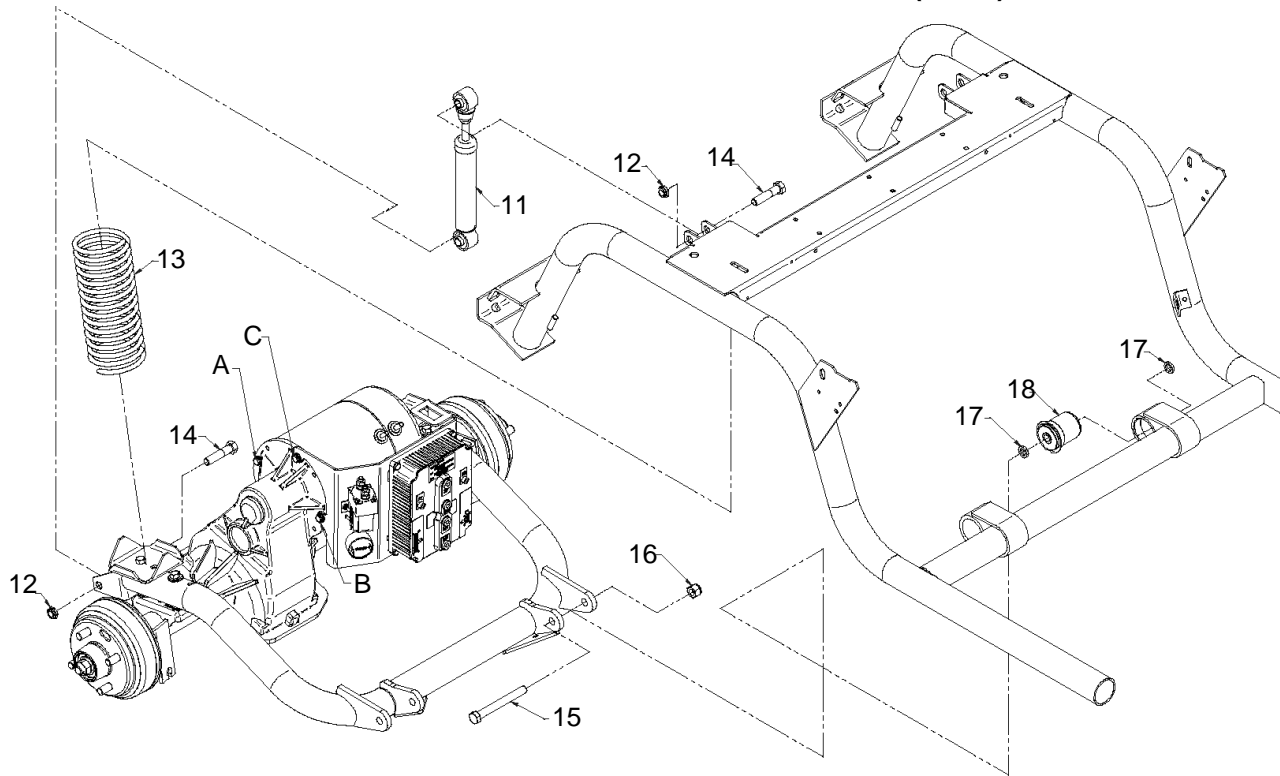
Section 3

Rear Suspension, Axle and Motor

REAR SUSPENSION, AXLE AND MOTOR – EU



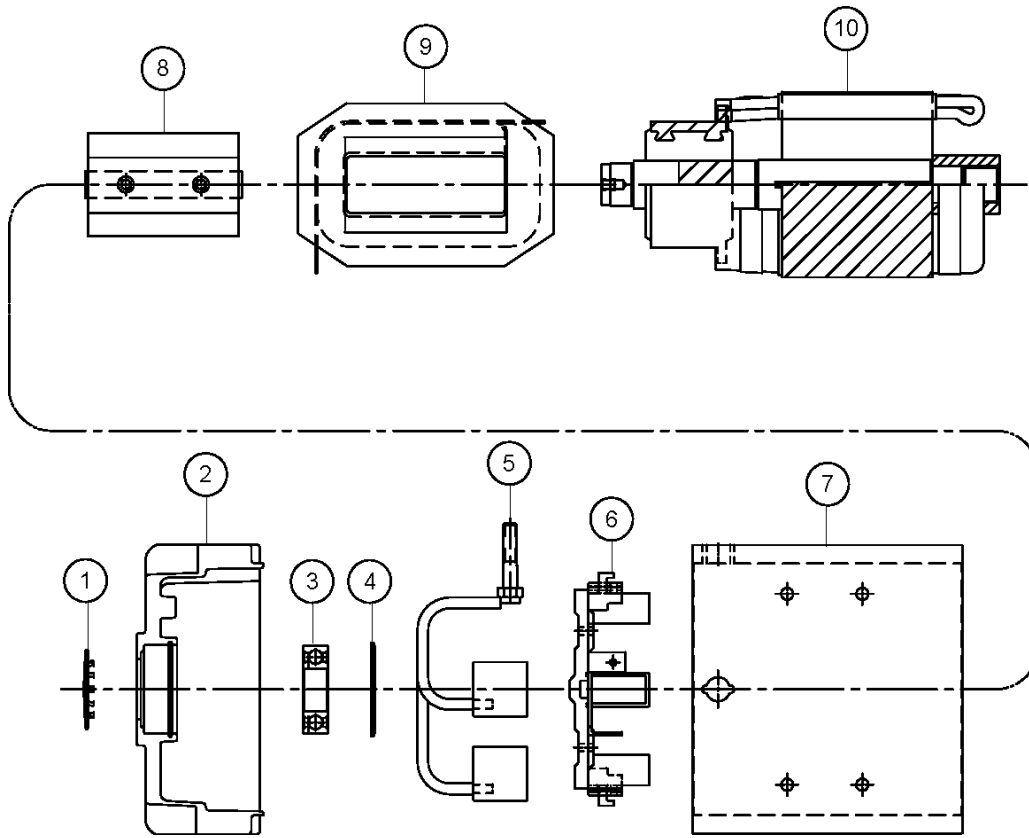
REAR SUSPENSION, AXLE AND MOTOR – EU (Cont.)



Loosely tighten screws (Item # 3 A & B. Loosely tighten screw C to draw face of motor up to flange on axle evenly. Torque A & B to 100 ft. lbs. then torque C to 100 ft. lbs.

ITEM	CPC P/N	DESCRIPTION	QTY	SEATS P/N
1	47039-89	REAR FORK,	1	308381
2	4434-W	SCREW, 3/8-24X 31/4, HHCS, (Torque to 35 ft.lbs.)	4	719687
3	708616	SCREW, 1/4-20X1 1/4, (See above note for torque)	3	708616
4	7036-B	WASHER, 1/4, REGULAR SPRING LOCK	3	719834
5	6703-B	WASHER, 1/4, SAE FLT STL	3	719811
6	11423	RESILIENT BUMPER-ELEC MOTOR	1	709050
7	69300-03	MOTOR, ELEC 48V SEP EX, STD DUTY	1	719135
8	82652-02A	AXLE, 12.44 MECH. BRAKE. EU4	1	760381
8A	82653-02A	AXLE, 12.44 HYD BRAKE. EU4	1	760367
8B	82654-02A	AXLE, 14.76 MECH. BRAKE. EU4	1	760365
8C	82657-03A	AXLE, 14.76 HYD BRAKE. EU4	1	760383
8D	82656-02A	AXLE, 16.99 MECH. BRAKE. EU4	1	760382
8E	82658-03A	AXLE, 16.99 HYD BRAKE. EU4	1	760384
8F	82819-09	AXLE, 16.99 HD, WD, EU24	1	309526
9	7775	NUT, 3/8-24, NYLOC, GR A	4	719900
10	43740-04	WHEEL SPACER .134 THK 4 BOLT (Only used with standard duty axle with 12" or greater wheels)	2	509958PL
11	54514-89	SHOCK ABSORBER	2	709006
12	7685	NUT, 1/2-13, NTE NYLOC, GR A	4	719878
13	54569-92	SPRING, REAR COIL . EU4	2	709380
13A	54574-00	SPRING, REAR COIL . EU24	2	709788
14	3407	SCREW, 1/2-13X2 1/4, HHCS (Torque to 45 ft. lbs.)	4	719611
15	4004	SCREW, 1/2-20X4 1/2, HHCS, (Torque to 45 ft. lbs.)	2	719647
16	7778	NUT, 3/8-16, NYLOC, GR A	2	719902
17	6568-B	WASHER, .515 X .812 X .134, FLT STL	4	719802
18	47524-66	BUSHING, REAR FORK	2	709024

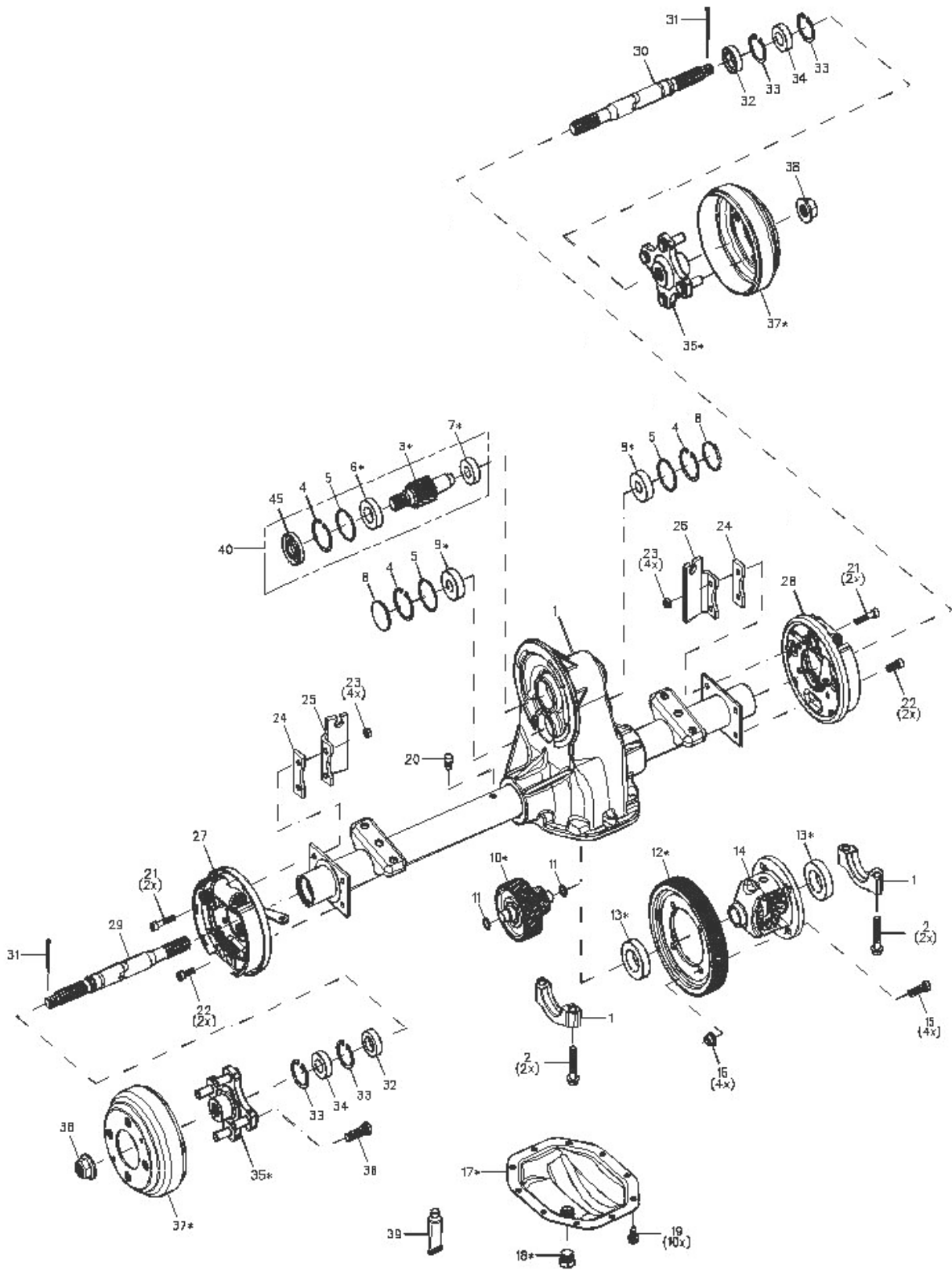
MOTOR – EU



ITEM	CPC P/N	DESCRIPTION	QTY	SEATS P/N
1	*	HOLE PLUG		N/A
2	*	COMMUTATOR END HEAD (Includes Fasteners)	1	N/A
3	83310-07	BEARING	1	759896
4	*	RETAINING RING	1	N/A
5	30402-06	BRUSH ASSY. (Includes Fasteners)	2	759780
6	30403-06	BRUSH BOX ASSY. (Includes Fasteners)	1	759781
7	*	MOTOR FRAME	1	N/A
8	*	POLE SHOE ASSY. (Includes Fasteners)	4	N/A
9	*	SHUNT COIL ASSY. (Includes Fasteners)	1	N/A
10	*	ARMATURE ASSY.	1	N/A
N/A	69300-03	MOTOR, COMPLETE (INCLUDES ITEMS 1-10)	1	719135

* SPECIAL ORDER

AXLE - EU4



*ITEM INCLUDED IN A KIT

AXLE – EU4 (Cont.)

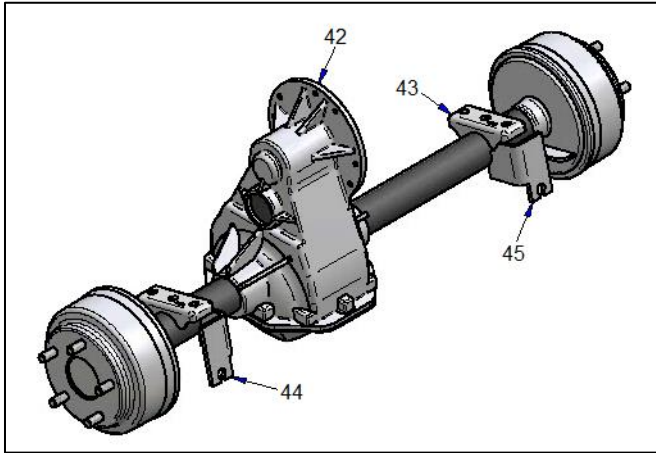
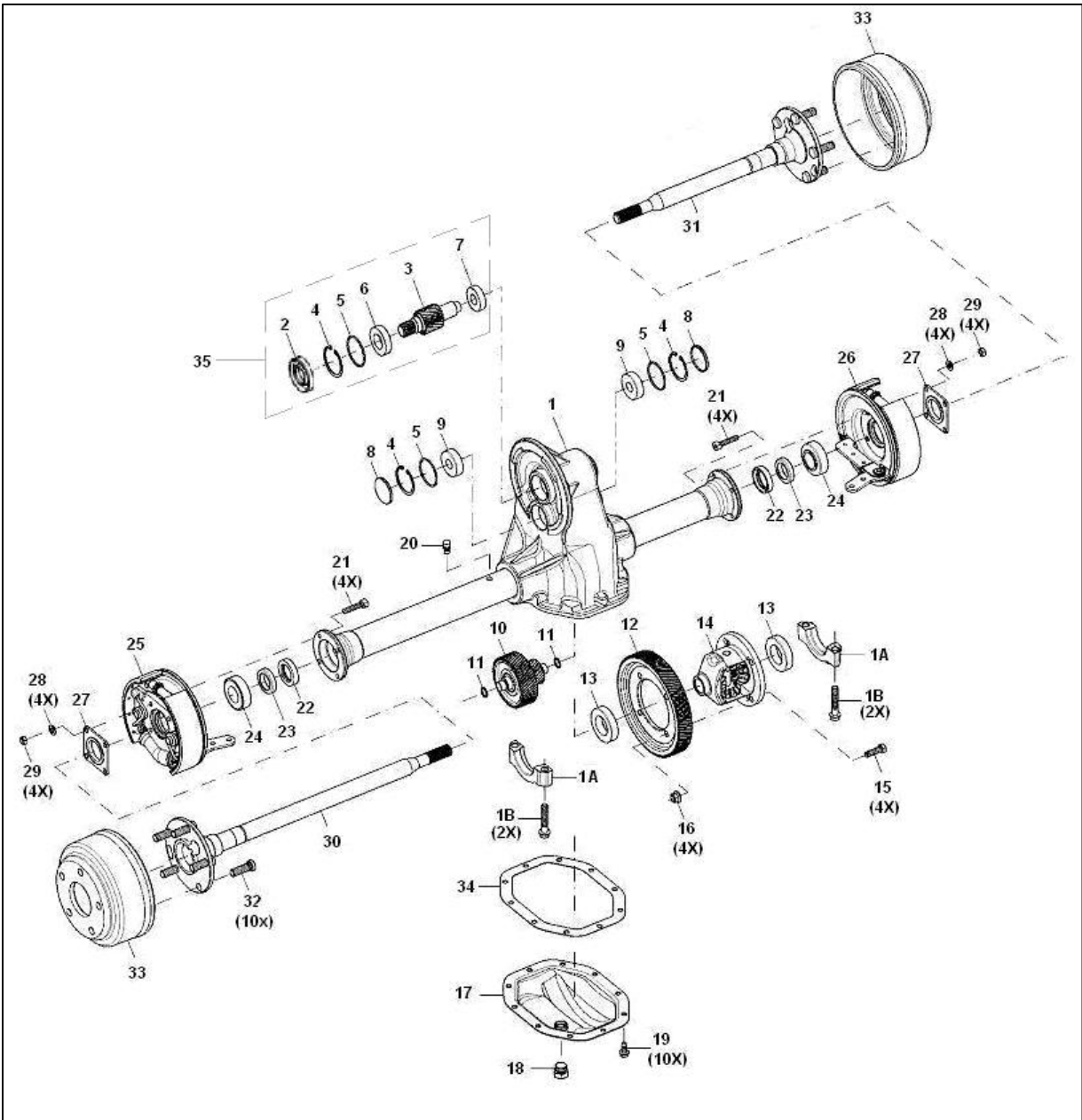
ITEM	CPC P/N	DESCRIPTION	QTY	SEATS P/N
1	N/A	HOUSING, AXLE	1	N/A
2	N/A	BOLT, DIFFERENTIAL CAP (Included with Item 1)	4	N/A
3	N/A	SHAFT, INPUT (See gear set info)	1	N/A
4	90006-90	RING, SNAP	3	749701
5	11118	O-RING	3	729030
6	90003-90A	BEARING, BALL	1	760375
7	90004-90	BEARING, BALL	1	749699
8	N/A	PLUG, END CAP	2	N/A
9	82810-90	BEARING, BALL	2	749419
10	N/A	SHAFT, INTERMEDIATE GEAR	1	N/A
11	11119	O-RING	2	719132
12	N/A	GEAR, FINAL DRIVE (See gear set info)	1	N/A
13	90005-90	BEARING, BALL	2	749700
14	83212-00	DIFFERENTIAL ASSEMBLY	1	749575
15	N/A	SCREW, CAP	4	N/A
16	N/A	NUT, LOCK	4	N/A
17	90007-00	PLATE, COVER	1	749702
18	90008-00	PLUG, DRAIN/FILL	1	749704
19	N/A	SCREW, TAPPING	10	N/A
20	82701-90	VENT	1	759791
21	N/A	SCREW, FLANGE HEAD LONG	4	N/A
22	N/A	SCREW, FLANGE HEAD SHORT	4	N/A
23	7810	NUT, LOCK	8	719906
24	N/A	SPACER BRACKET	2	N/A
25*	47757-88	BRACKET, BRAKE CABLE (MECHANICAL BRAKES)	1	503969
25	47756-88	BRACKET, BRAKE CABLE (HYDRAULIC BRAKES)	1	503970
26*	47756-88	BRACKET, BRAKE CABLE (MECHANICAL BRAKES)	1	503970
26	47757-88	BRACKET, BRAKE CABLE (HYDRAULIC BRAKES)	1	503969
27*	41813-86B	ASSEMBLY, BRAKE, LH (MECH) (See page 3-11)	1	709171
27	41813-02	ASSEMBLY, BRAKE, LH (HYD) (See page 3-13)	1	719137
28**	41814-86B	ASSEMBLY, BRAKE, RH (MECHANICAL BRAKES)	1	709170
28	41814-02	ASSEMBLY, BRAKE, RH (HYDRAULIC BRAKES)	1	719138
29	90001-90	SHAFT, AXLE, LH (LONG)	1	749696
30	90002-90	SHAFT, AXLE, RH (SHORT)	1	749698
31	560	PIN, COTTER	2	707337
32	82704-78	SEAL, OIL	2	749367
33	82706-78	RING, RETAINING	4	749370
34	82705-78	BEARING, BALL	2	749369
35	N/A	ASSEMBLY, HUB, WHEEL (Includes Item 36 & 47 See Item 44)	2	N/A

AXLE – EU4 (Cont.)

ITEM	CPC P/N	DESCRIPTION	QTY	SEATS P/N
36	719463-05	BOLT, WHEEL (1.680" LONG)	8	719463
37	N/A	DRUM, BRAKE (See Item 44)	2	N/A
38	N/A	NUT, LOCKING 5/8-18 HEX FLANGE	2	N/A
39	N/A	SEALANT, ANAEROBIC	A/R	N/A
40*	N/A	KIT, INPUT GEAR (Includes Items 3-7 & 45 see gear info)	1	N/A
41*	N/A	KIT, GEAR (Includes Items 3, 10 & 12 see gear info)	1	N/A
42*	N/A	KIT, BEARING (Includes Items 6, 7, 9 & 13)	1	N/A
43*	N/A	KIT, COVER PLATE (Includes Items 17 & 18)	1	N/A
44*	41844-96	KIT, HUB/DRUM (Includes Items 35 & 37)	2	719281
45	83165-08	OIL SEAL – INPUT SHAFT	1	760371
46*	82772-06A	KIT, INPUT BEARING & O-RING (Includes Items 4 - 7 & 45 see gear info)	1	191697U
47*	N/A	HUB (See Item 44)	2	N/A

* Not Shown

AXLE - EU24



AXLE - EU24 (Cont.)

ITEM	CPC P/N	DESCRIPTION	QTY	SEATS P/N
1	N/A	HOUSING, AXLE - INCLUDES 2 CAPS (1A), 4 SCREWS (1B)	1	N/A
2	83165-08	SEAL, INPUT PINION	1	760371
3	N/A	GEAR, INPUT PINION (ONLY AVAILABLE WITH ITEM # 35)	1	N/A
4	90006-90	RING, SNAP	3	749701
5	11118	O-RING	3	729030
6	90003-90	BEARING, BALL, INPUT SHAFT	1	719077
7	90004-90	BEARING, BALL, INPUT GEAR	1	749699
8	82808-90	DUST CAP	2	749418
9	82810-90	BEARING SET	2	749419
10	N/A	SHAFT, INTERMEDIATE GEAR	1	N/A
11	11119	O-RING	2	719132
12	N/A	GEAR, FINAL DRIVE	1	N/A
13	90005-90	BEARING, BALL, DIFFERENTIAL	2	749700
14	83212-00	DIFFERENTIAL ASSEMBLY	1	749575
15	N/A	SCREW, CAP	4	N/A
16	N/A	NUT, LOCK	4	N/A
17	90007-00	PLATE, COVER	1	749702
18	90008-00	PLUG, DRAIN/FILL	1	749704
19	N/A	SCREW, TAPPING	10	N/A
20	82701-90	VENT	1	759791
21	N/A	SCREW, SOCKET HEAD	8	N/A
22	83160-93	SEAL, OIL	2	749547
23	83167-93	RING, RETAINING	2	749549
24	83100-73	ASSEMBLY, BEARING, TAPERED ROLLER	2	749522
25	41814-93	ASSEMBLY, BRAKE, LH (HYD) (HD) (See page 3-14)	1	729996
26	41813-93	ASSEMBLY, BRAKE, RH (HYD) (HD)	1	729993
27	82811-93	SEAL, OIL	2	749421
28	83114-93	WASHER, FLAT	8	749530
29	83120-93	NUT, LOCK	8	749532
30	N/A	SHAFT, AXLE, LH (LONG)	1	N/A
31	82757-00*	SHAFT, AXLE, RH (SHORT)	1	749403
32*	41199	BOLT, WHEEL	10	719655
32	719463-05	BOLT, WHEEL (1.680" LONG)	10	719463
33	82830-93	DRUM, BRAKE	2	749427
34	N/A	GASKET	1	759937
35	83219-08	PINION & SEAL KIT 16.99:1	1	760374
36*	82776-08	GEAR SET KIT 16.99:1(Includes Item 4 – 13 & 35)	1	191703U
37*	82819-09	RAW AXLE 16.99:1	1	759922
38	82779-08	PINION SEAL KIT (Includes Items 2 & 4 – 7) Only For Use With Item 35.	1	191697U
39*	90013-08	KIT, SHAFT & BOLT LH (Includes Items 30 & 32)	1	759936
40*	90012-00	KIT, SHAFT & BOLT RH (Includes Items 31 & 32)	1	719258
41*	6011	WASHER, FELT (See gear set info)	1	759935
42	309526	AXLE, HD, WIDE (Includes 43 – 45)	1	82819-09
43	82853-95	AXLE BRACKET	2	711374
44	N/A	BRACKET, PARKING BRAKE RH	1	512252
45	N/A	BRACKET, PARKING BRAKE LN	1	512251

* Not Shown

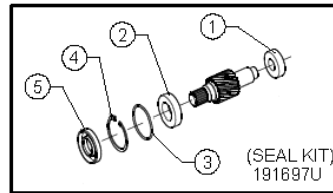
GEAR SETS – EU

NOTE A:
CAN BE USED FOR SERVICING 2008 & EARLIER AXLES
WHEN REPLACEMENT GEARS NEEDED -
ORDER NEW PINION SHAFT DESIGN COMPLETE ASM.

NOTE B:
NEW SEAL LIP PINION &
GEAR SET KIT NOW INCLUDES:
- SEALING O-RINGS
- END CAP PLUGS
- BEARINGS

NOTE C:
CAN ALSO SERVICE EARLIER AXLES

NOTE D:
PINION SEAL KIT 191697U
(CPC 82779-08)
FOR USE ONLY WITH
NEW PINION SHAFT DESIGN



SEE
NOTE A

KIT (INCLS GEARS, PINION&SEAL KIT & COMPONENT PARTS)		
CPC PN	SI PN	GEAR RATIO
82773-08	191700U	10.35:1
82774-08	191701U	12.44:1
82775-08	191702U	14.76:1
82776-08	191703U	16.99:1

INTERMEDIATE & RING GEAR SET			INTERMEDIATE GEARS			RING GEAR		
SI PN	DANA PN	GEAR RATIO	DANA PN	NO. OF TEETH	QTY	DANA PN	NO. OF TEETH	QTY
760376	012KG112	10.35:1	012GZ156X	22 & 53	1	012GS395	116	1
760402	012KG114	12.44:1	012GZ134X	24 & 55	1	012GS284	114	1
760401	012KG115	14.76:1	012GZ146X	22 & 56	1	012GS323	116	1
760400	012KG113	16.99:1	012GZ150X	22 & 58	1	012GS323	116	1

SEE
NOTE C

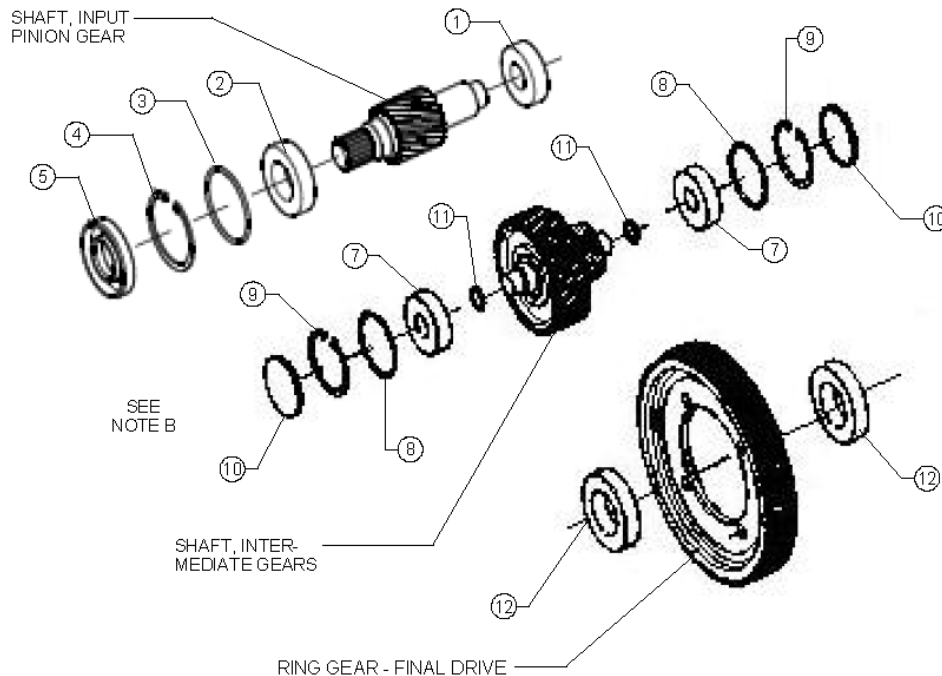
PINION & SEAL KIT (INCLUDES ITEMS IN SEAL KIT 191697U)					PINION GEAR			
CPC PN	SI PN	DESCRIPTION	DANA	QTY	GEAR RATIO	DANA PN	NO. OF TEETH	QTY
83218-08	760372	NEW LIP SEAL PINION KIT	012LK173	1	10.35:1	012GS392	27	1
83297-08	760373	NEW LIP SEAL PINION KIT	012LK174	1	12.44:1	012GS389	21	1
83214-08	760386	NEW LIP SEAL PINION KIT	012LK175	1	14.76:1	012GS390	20	1
83219-08	760374	NEW LIP SEAL PINION KIT	012LK177	1	16.99:1	012GS393	18	1

SEE
NOTE D

PINION SEAL KIT 191697U / (CPC # 82779-08)					
	CPC PN	SI PN	DESCRIPTION	DANA	QTY
1	90004-90	749699	BEARING, BALL, INNER	012HD104	1
2	90014-08	760375	BEARING, BALL, OUTER	012HD112	1
3	11118	729030	O-RING	012HH118	1
4	90006-90	749701	RING, SNAP	012HR101	1
5	83165-08	760371	OIL SEAL - INPUT SHAFT	012HH152	1
6*	N/A	N/A	INSTRUCTION SHEET	012TG135	1

* ITEM NOT SHOWN

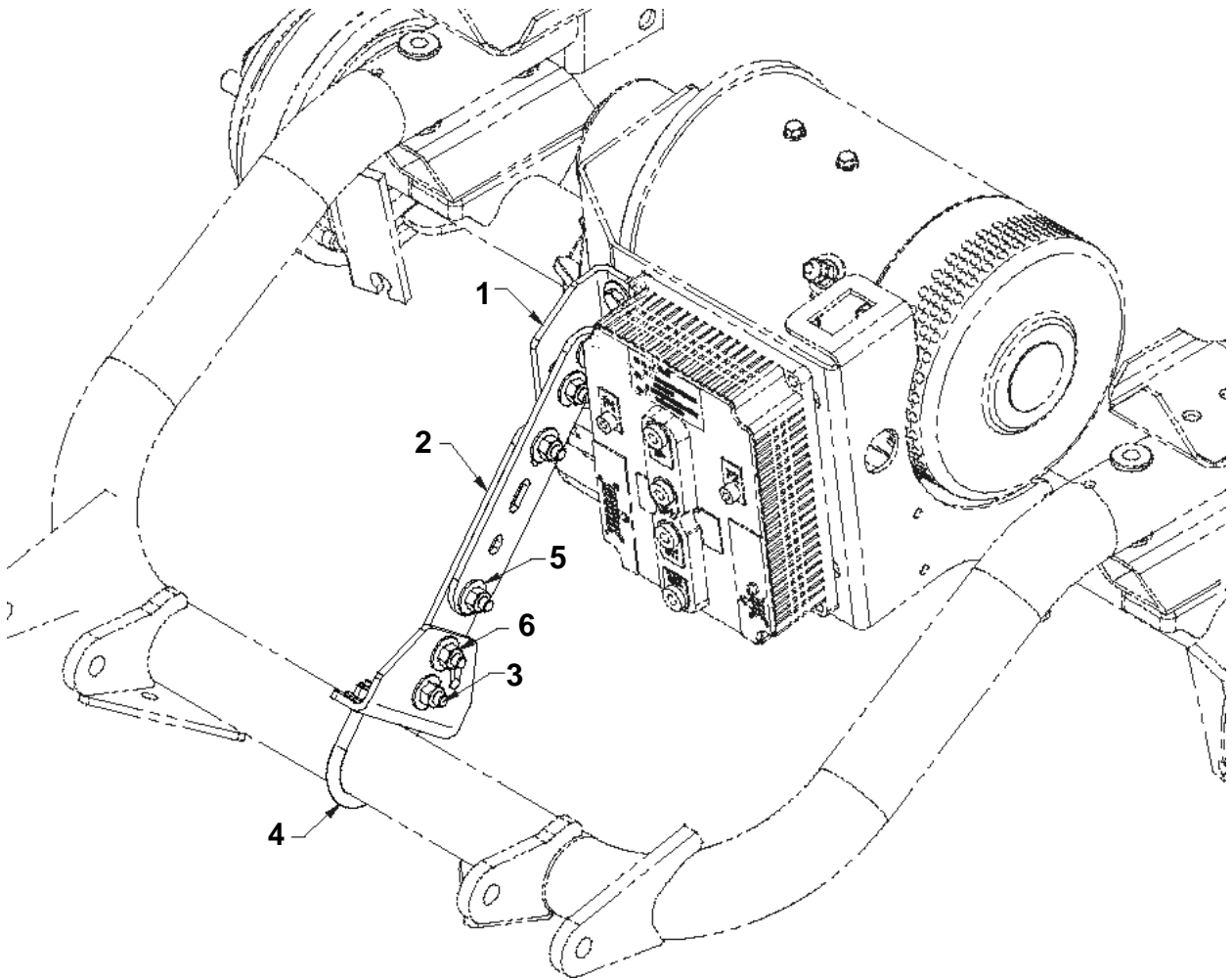
COMPONENTS FOR GEAR SET KIT (SEE KIT CHART)					
	CPC PN	SI PN	DESCRIPTION	DANA	QTY
7	82810-90	749419	BEARING, BALL	012HD111	2
8	11118	729030	O-RING	012HH118	2
9	90006-90	749701	RING, SNAP	012HR101	2
10	82808-90	749418	PLUG, END CAP	012HG138	2
11	11119	719132	O-RING	012HH101	2
12	90005-90	749700	BEARING, BALL	585994	2



AXLE BRACE KIT - EU

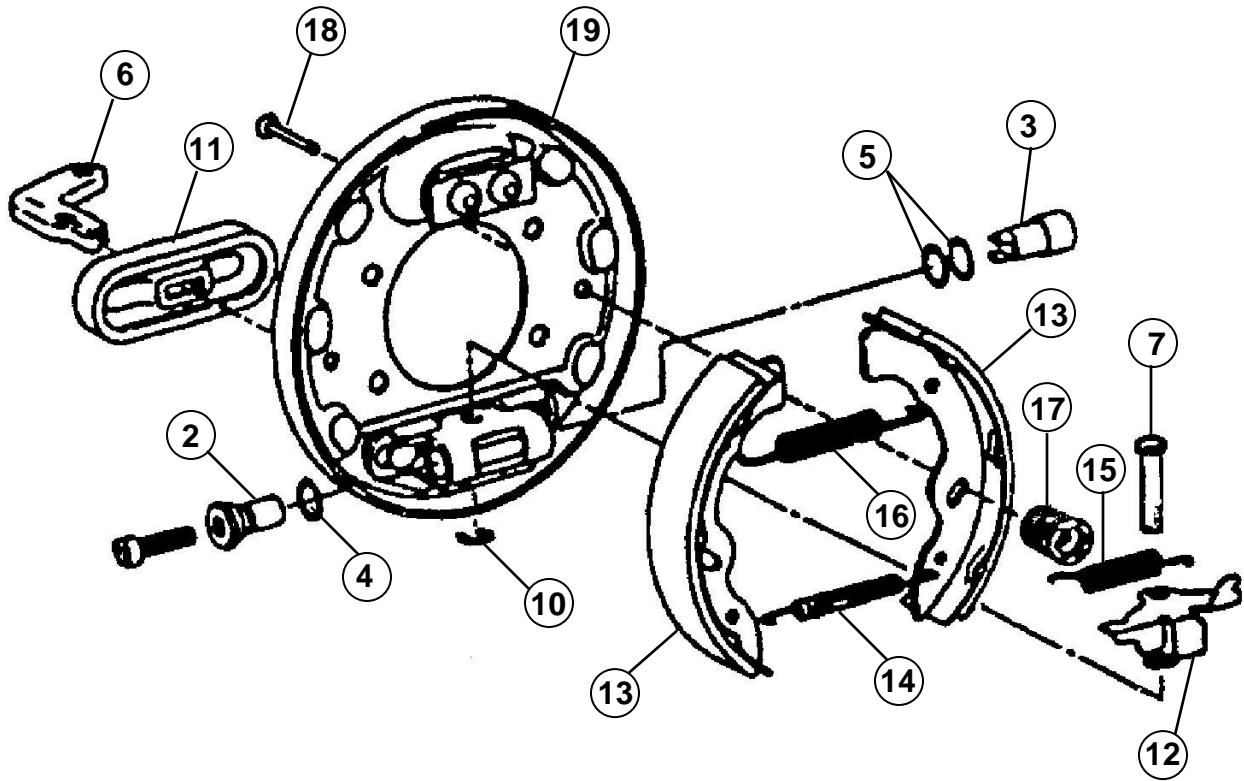
NOTE: Only available as a kit. P/N 45310-10A. See Service Bulletin SB10-004A.

ITEM	DESCRIPTION	QTY
1	BRACKET	2
2	STRAP	2
3	SCREW, 5/16-18X1 HHCS	8
4	U-BOLT, #014	1
5	WASHER, 5/16 USS/STD	18
6	NUT, 5/16-18 NYLOCK	10



MECHANICAL BRAKE ASSEMBLY – EU

(Left Hand Shown)

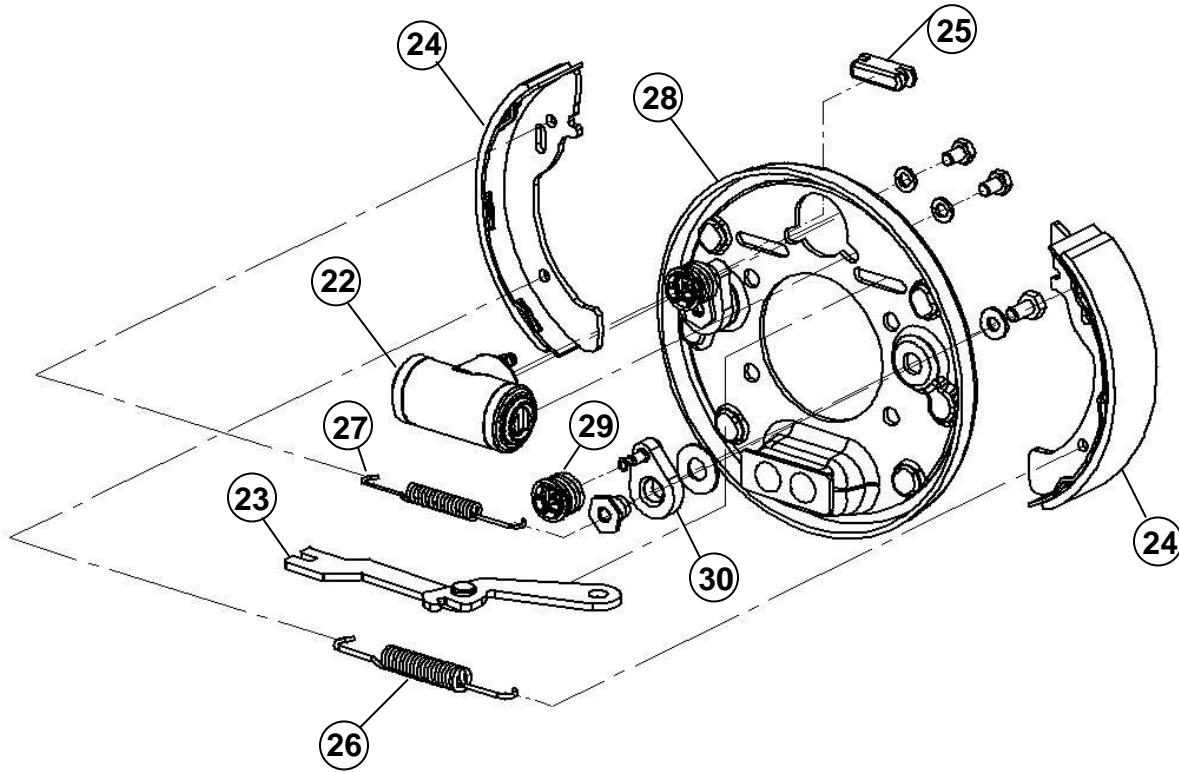


MECHANICAL BRAKE ASSEMBLY – EU (Cont.)

ITEM	CPC P/N	DESCRIPTION	QTY	SI P/N
1	41813-86B	MECH. BRAKE ASSY, LH (Includes Items 2 -19)	1	709171
1A*	41814-86B	MECH. BRAKE ASSY, RH (Includes Items 2 -19)	1	709170
2	N/A	ADJUSTER, LH	1	N/A
2A*	N/A	ADJUSTER, RH	1	N/A
3	N/A	PUSH ROD	1	N/A
4	N/A	WASHER, FLAT	2	N/A
5	N/A	SHIM	A/R	N/A
6	N/A	LEVER, ACTUATOR	1	N/A
7	N/A	PIN, PIVOT	1	N/A
8*	N/A	WASHER, WAVE, ACTUATOR PIVOT	1	N/A
9*	N/A	WASHER, FLAT, ACTUATOR PIVOT	1	N/A
10	N/A	E-CLIP	1	N/A
11	N/A	PROTECTOR BOOT	1	N/A
12	N/A	SELF ADJUSTER, LH	1	N/A
12A*	N/A	SELF ADJUSTER, RH	1	N/A
13	41819-86C	SET, SHOE & LINING ASSEMBLY (2 Shoes)	1	759746
14	N/A	SPRING, RETURN (See Item 20.)	1	N/A
15	N/A	SPRING, SELF ADJUSTER (See Item 20.)	1	N/A
16	N/A	SPRING, SHOE RETAINING (See Item 20.)	1	N/A
17	N/A	SPRING CLIP, SHOE RETAINER (See Item 20.)	2	N/A
18	N/A	PIN, SHOE RETAINING (See Item 20.)	2	N/A
19	N/A	SHIELD, DUST	1	N/A
20*	41816-86B	KIT, SPRING (Includes Items 14-18)	1	729999
21*	42400-89B	BRAKE CABLE ASSEMBLY 48" EU-S, L	1	709091
22*	42395-92B	BRAKE CABLE ASSEMBLY 55" EU-S	1	709441
23*	42401-89B	BRAKE CABLE ASSEMBLY 39" EU-L	1	709081

* NOT SHOWN

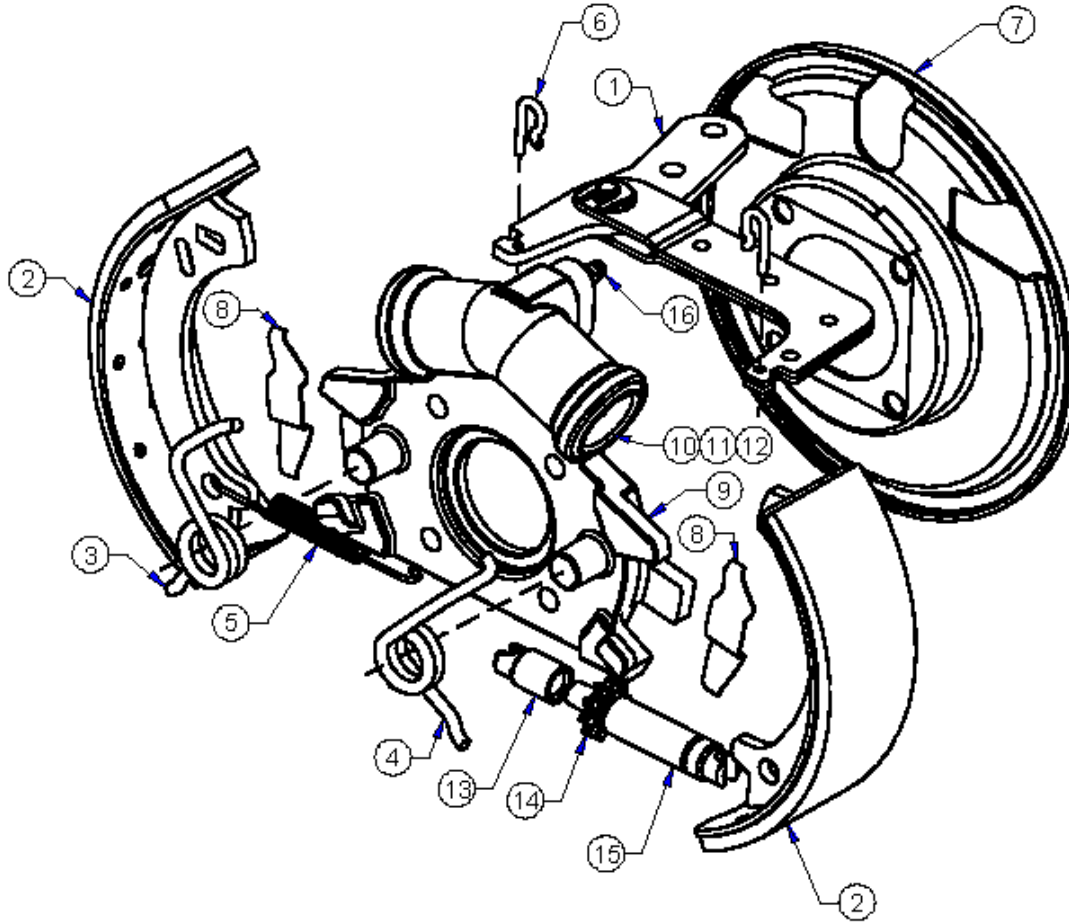
**HYDRAULIC BRAKE ASSEMBLY – EU
(Left Hand Shown)**



ITEM	CPC P/N	DESCRIPTION	QTY	SI P/N
21	41813-02	HYD. BRAKE ASSY, LH (Includes Items 22 -29)	1	719137
21A*	41814-02	HYD. BRAKE ASSY, RH (Includes Items 22 -29)	1	719138
22	41260-02	WHEEL CYLINDER, COMPLETE	1	759795
23	N/A	STRUT & LEVER ASSY LH	1	N/A
23A*	N/A	STRUT & LEVER ASSY RH	1	N/A
24	41818-05	KIT, SHOE & LINING ASSY, 160 mm (4 Shoes)	1	759740
25	N/A	COVER, PARK BRAKE LEVER	1	N/A
26	N/A	SPRING, SHOE RETURN (See Item 32)	1	N/A
277	N/A	SPRING, SHOE RETAINING (See Item 32)	1	N/A
28	N/A	SHIELD, DUST (See Items 21 or 21A.)	1	N/A
29	N/A	SPRING CLIP, SHOE RETAINING (See Items 31 or 32.)	1	N/A
30	N/A	ADJUSTER (See Items 31 or 32.)	1	N/A
31*	N/A	KIT HARDWARE. (Includes items 25, 26, 28, & 29 – Services two brake assemblies.)	1	N/A
32*	41732-07	KIT, ADJUSTER (Includes items 28, 29 & installation hardware. Services two brake assemblies.)	1	759796
33*	42371-02	BRAKE CABLE 51" EU- S, L	2	709819
34*	41860-06	BRAKE CABLE 69" EU24	2	719209

* NOT SHOWN

**HEAVY DUTY HYDRAULIC BRAKE ASSEMBLY – EU24
(Left Hand Shown)**



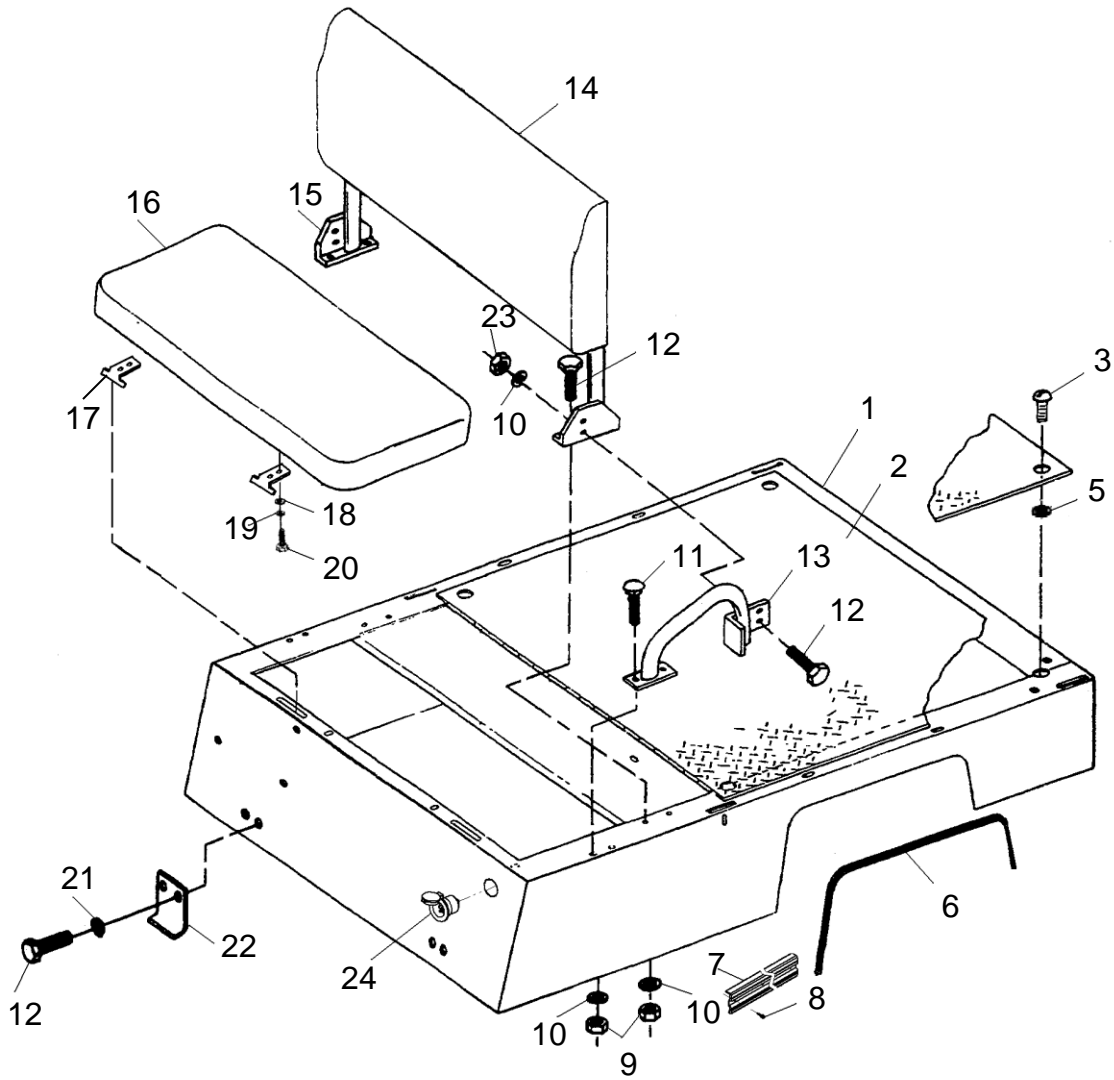
ITEM	CPC P/N	DESCRIPTION	QTY	SI P/N
1	41894-93	STRUT & LEVER ASSY PARKING BRAKEL	1	739024
2	41912-93	SHOE & LINING ASSY,	2	719046
3	41914-93	SPRING, SHOE RETURN LH (GREEN OR BLUE)	1	739026
4	41916-93	SPRING, SHOE RETURN RH (RED OR YELLOW)	1	739027
5	41918-93	SPRING, ADJ. SCREW	1	739028
6	41920-93	PIN, RETAINER, PARKING BRAKE	2	739029
7	41926-93	SHIELD, DUST	1	739030
8	41928-93	SPRING, SHOE HOLD DOWN	2	719075
9	41884-93	TORQUE SPIDER (Includes Items 10-12 &16)	1	719067
10	41892-93	PISTON WHEEL CYLINDER (Includes Items 11 & 12)	2	739023
11	41886-93	BOOT & RING	2	739021
12	41890-93	CUP, HYDRAULIC	2	739022
13	41882-93	SOCKET, ADJUSTMENT SCREW	1	739020
14	41880-93	SCREW, ADJUSTMENT	1	719294
15	41878-93	NUT, PIVOT, ADJUSTMENT SCREW	1	719295
16	41888-93	VALVE, BLEEDER	1	719296

Utilitruck Parts Manual

Section 4

Body, Seating and Console Instrumentation

BODY BENCH - EU



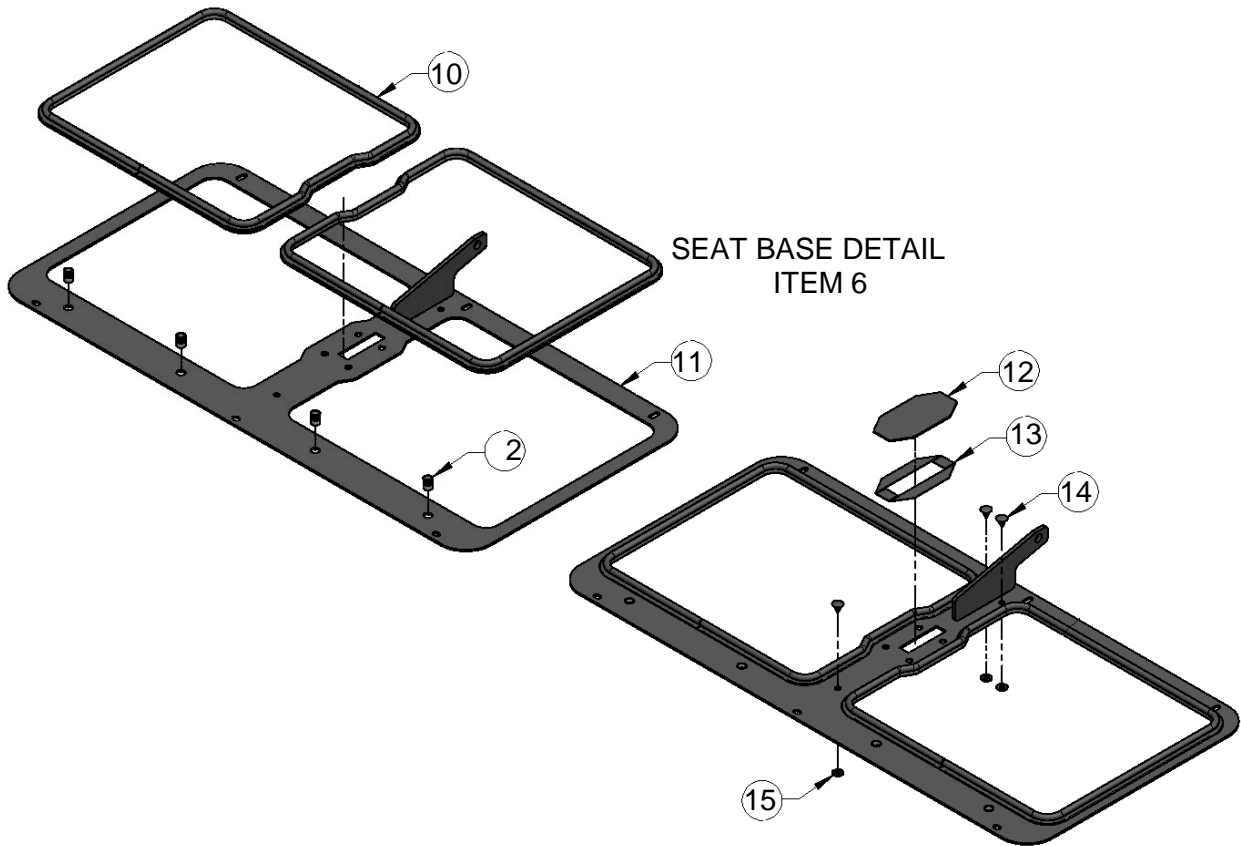
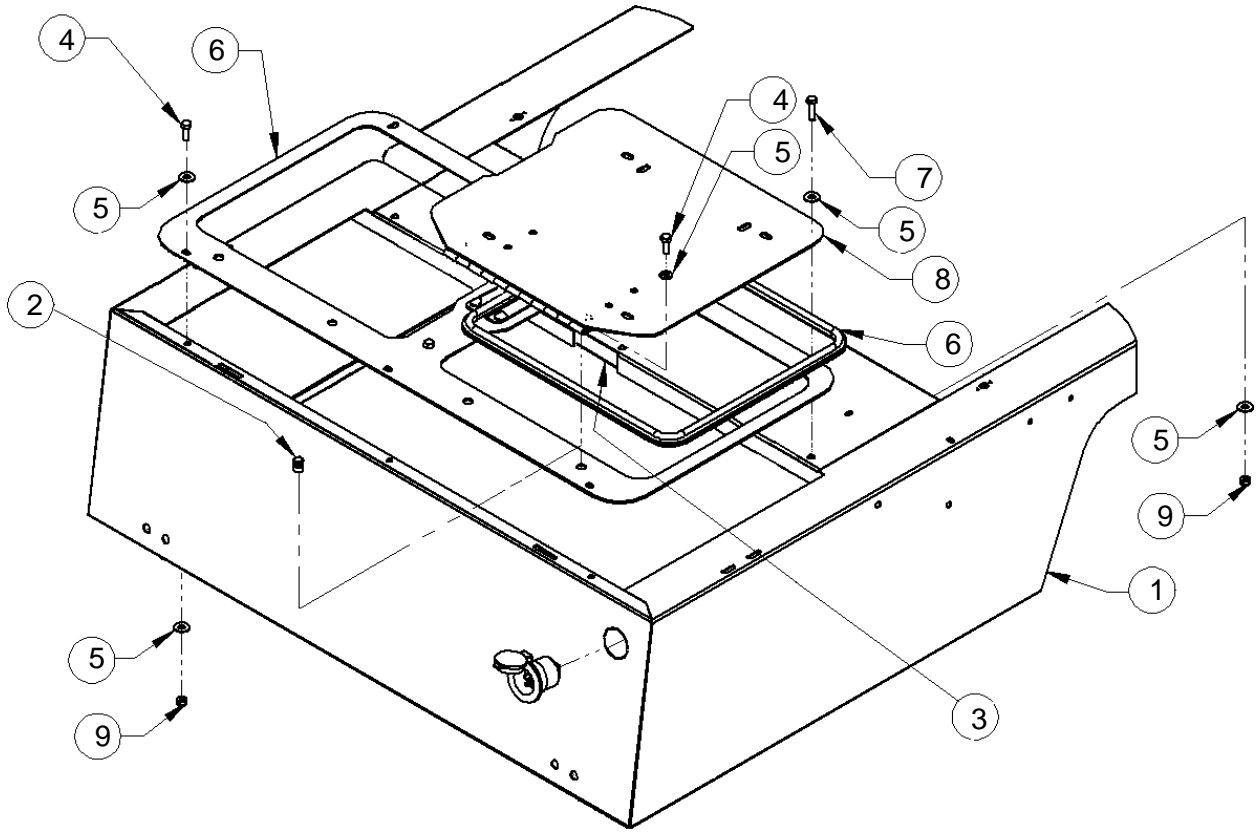
BODY BENCH - EU

ITEM	CPC P/N	DESCRIPTION	QTY	SEATS P/N
1	50002-92	BODY S (Includes 8 treaded inserts 5/16-18 P/N 8206)	1	467311
1A*	50610-92	BODY L (Includes 12 treaded inserts 5/16-18 P/N 8206)	1	467312
2	N/A	DECK STEEL -S	1	510073
2A*	50606-04	DECK STEEL - L	2	510533
2B	50242-92	DECK ALUMINUM - S	1	512636
2C*	50606-93	DECK ALUMINUM - L	2	512637
3	2600	SCREW 5/16-18X3/4, TSL	4/8	781738
4*	49713-08	FOAM TAPE	AR	709783
5	707317	PUSHNUT RETAINER	4/8	707317
6	84085-ZZ	FENDER TRIM	2.75'	709206
7	50053-10	SIDE TRIM EXTRU - S	2	467458
7A*	50054-10	SIDE TRIM EXTRU - L	2	467459
8	2653-B	SCREW, 10-16X3/4 HWH, TEK	14/16	719583
9	7739	NUT, 5/16-18	4	719892
10	6702-B	WASHER 5/16	8	719810
11	5400-BS	SCREW, 5/16-18X1, CARR	4	719744
12	3987-BS	SCREW, 5/16-18X7/8	4	719643
13	52633-92	HANDRAIL ASSY, DRIVER	1	302842
13A*	52632-92	HANDRAIL ASSY, PASS	1	302841
14	52943-92	CUSHION, BACK (See Note)	1	N/A
15	52942-87	SEAT BACK FRAME	1	335451
16	52941-92	CUSHION, BOTTOM (See Note)	1	N/A
17	52978-01	SEAT TAB	2	510033
18	6703-B	WASHER 1/4	4	719811
19	7036-B	WASHER LOCK 1/4		719834
20	3787-B	SCREW, 1/4-20X3/4	4	719636
21	7041-B	WASHER 5/16 R-SPLIT	4	719838
22	50271-89A	FRONT HINGE BRACKET	2	510128
23	7525	NUT 5/16-18 SERR FLANGE LOCK	4	719864
24	70036-05	CHARGER CORD W/RECEPTICLE	1	467405
25*	66493-67A	EXTENSION CORD SUV, SM4	1	709890
26*	66100-10	EXTENSION CORD, W/GFCI	1	760620
24*	52940-92	BENCH SEAT ASSY (Includes Items 15 – 16)	1	N/A

* NOT SHOWN

NOTE: Include VIN to insure correct color.

BODY BUCKET SEATS - EU



SEAT BASE DETAIL
ITEM 6

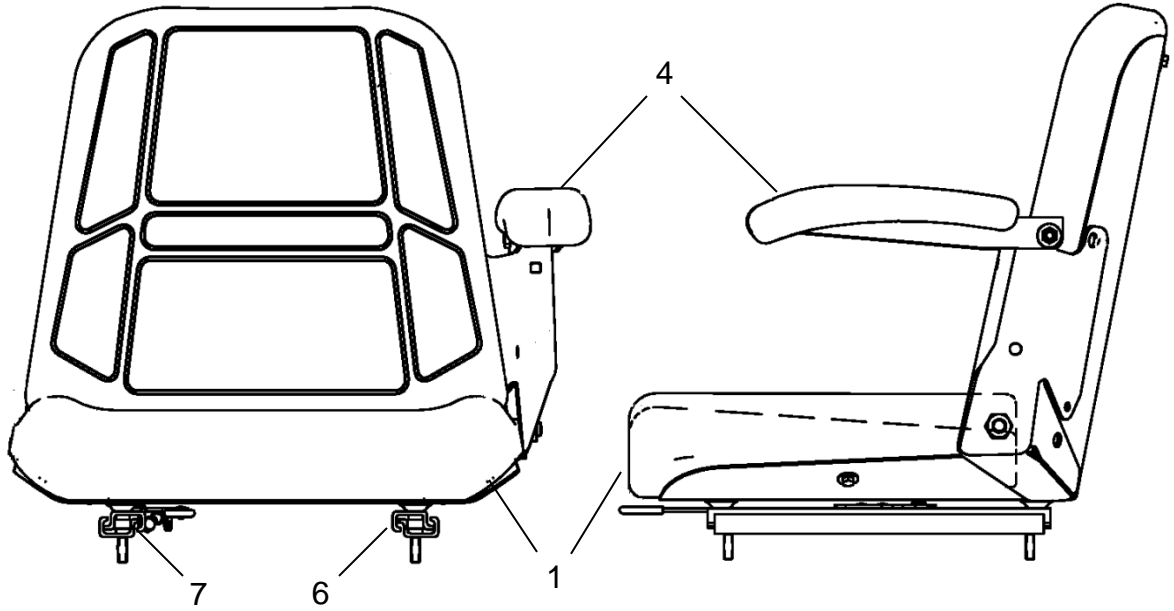
BODY BUCKET SEATS - EU (Cont.)

ITEM	CPC P/N	DESCRIPTION	QTY	SEATS P/N
1	50002-92	BODY S (Includes 8 treaded inserts Item 2)	1	467311
1A*	50610-92	BODY L (Includes 12 treaded inserts Item 2)	1	467312
2	8206	THREADED INSERT, 5/16-18	8/12	719929
3	51502-04	SEAT SUPPORT	1	509703
4	3991	SCREW, 5/16-18X7/8 HHC	7	719643
5	6702-b	WASHER 5/16	18	719810
6	**	SEAT BASE W/COVER (Includes Items 2 & 10-15)	1	467575
7	2667	SCREW, 5/16-18X2	4	719585
8	39801-04	SEAT PIVOT LH	1	307529EP
8A*	39802-04	SEAT PIVOT RH	1	307528EP
9	7739	NUT 5/16-18 NYLOCK	7	719892
10	84085-ZZ	TRIM SEAL .06X.38X61"	2	709206
11	39800-04	SEAT BASE	1	307527
12	41425-04	HAND BRAKE COVER	1	509991
13	84079-ZZ	TAPE 3/4" FOAM DOUBLE SIDED	1	709212
14	8200	BLK NYLON FASTENER	3	719926
15	6703-B	WASHER 1/4	3	719811

* NOT SHOWN

** SPECIAL ORDER

BUCKET SEATS – EU



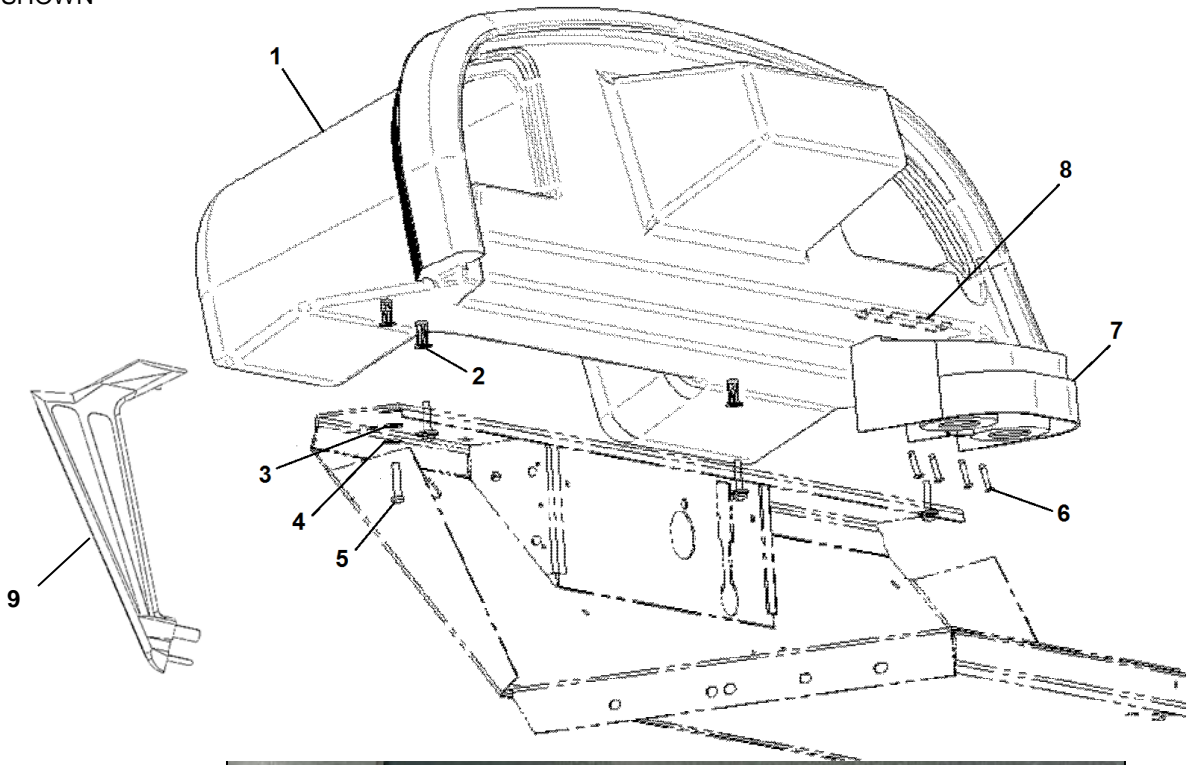
ITEM	CPC P/N	DESCRIPTION	QTY	SEATS P/N
1	51718-05	LH SEAT ASSEMBLY W/TRACKS	1	177295%LA
2*	51700-00	RH SEAT ASSEMBLY W/TRACKS	1	177295%RA
3*	51723-07	SEAT ASSEMBLY, NO ARMS W/TRACKS	2	177295%
4	52624-06	ARM KIT, LH (Includes mounting bracket & hardware)	1	307844BLU
5*	52625-06	ARM KIT, RH (Includes mounting bracket & hardware)	1	307844BRU
6	91401-90	TRACK, NON-LOCKING	2	707005
7	91400-02	TRACK, LOCKING	1	301150

* NOT SHOWN

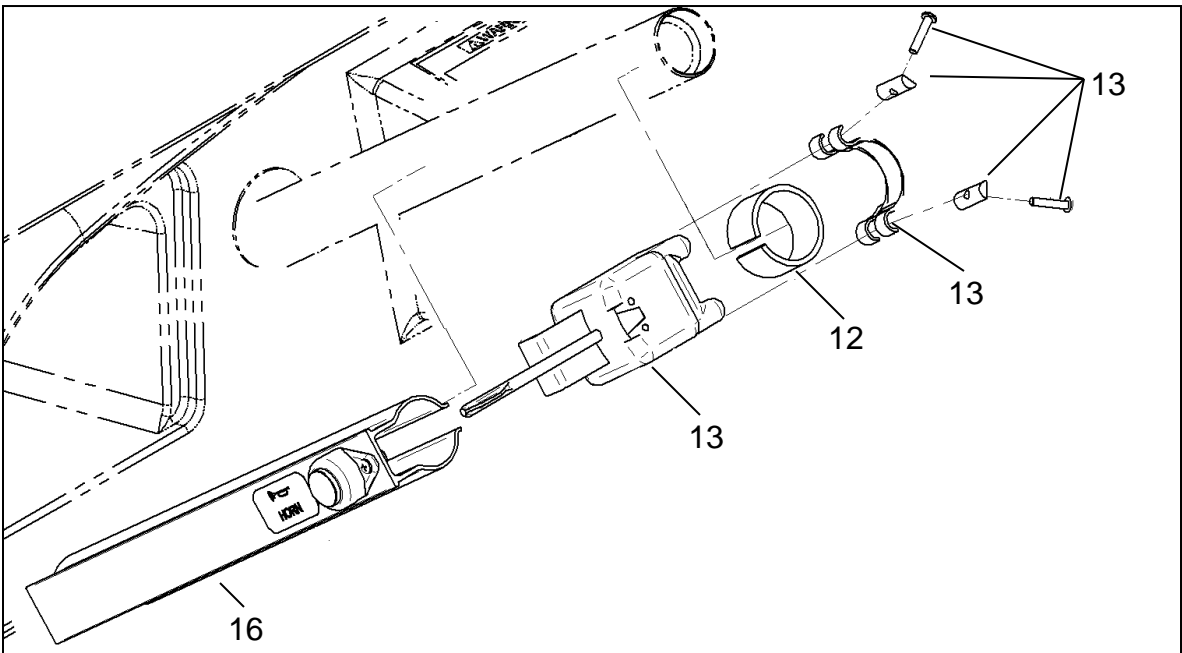
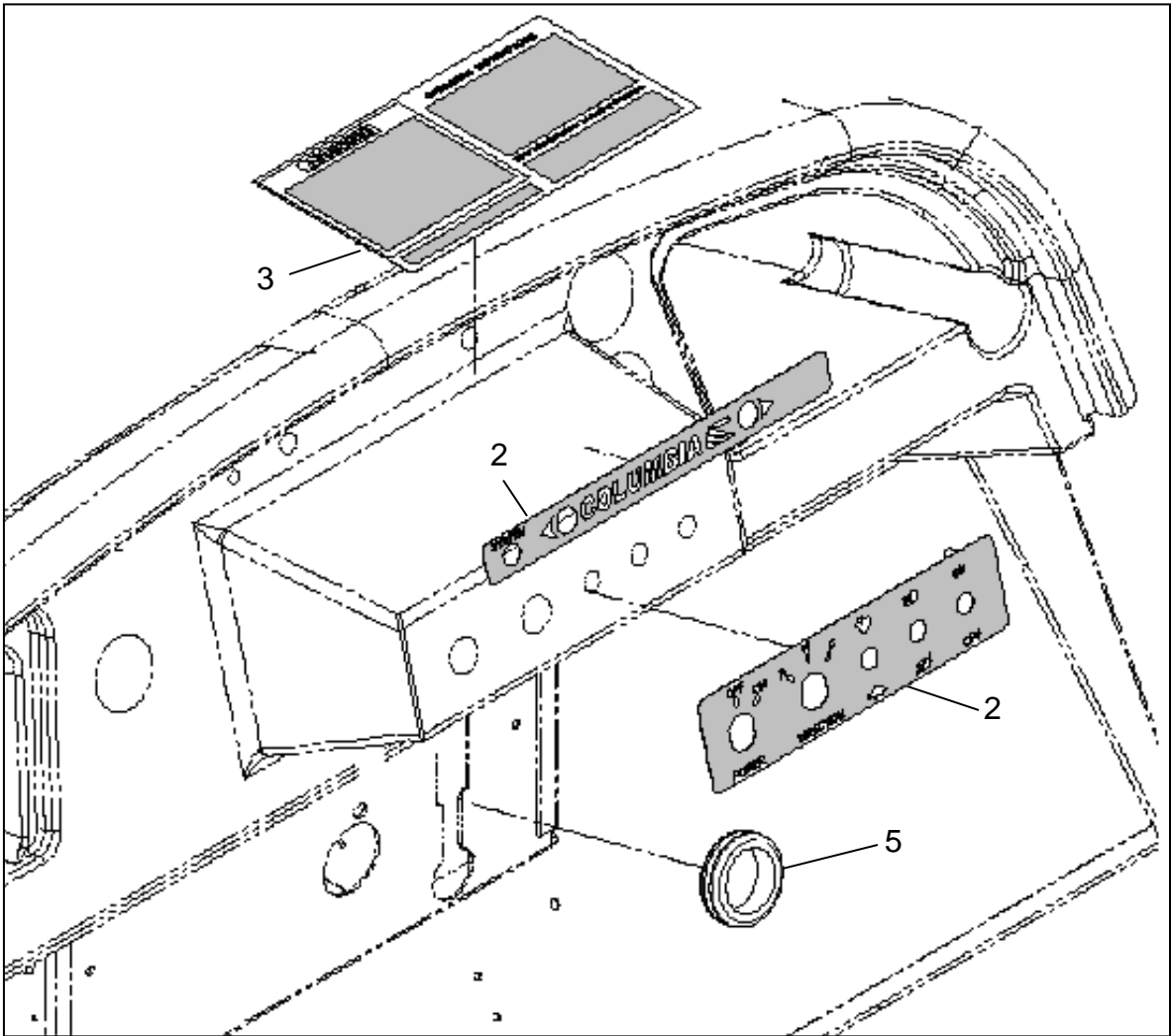
CONSOLE –EU

ITEM	CPC P/N	DESCRIPTION	QTY	SEATS P/N
1	82996-07	FRONT CONSOLE (Drilled, includes Items 2, 6 – 8, 14 – 16)	1	467507
2	50190-86	NUT, JACK, 1/4-20	4	719717
3	6702-B	WASHER 5/16 FLT STL	4	719810
4	7036-B	WASHER 1/4, LOCK`	4	719834
5	2602	SCREW, 1/4-20X1 1/4 PPH	4	719569
6	8308	RIVET, BLIND 3/16 AL, BH #10	4-8	782117
7	31412-07	CUP HOLDER, DUAL	1-2	759871
8	16236-07	STRAP, CUP HOLDER	1-2	512029
9	50087-96	SIDE PANEL, LH (Attach using Items 11, 12 & 13)	1	709062
10*	50088-96	SIDE PANEL, RH (Attach using Items 11, 12 & 13)	1	709063
11	2653-B	SCREW, #10-16X3/4, HWH, TEK	6	719583
12	6716	WASHER, #10, SAE	6	719812
13*	1787	SCREW, #14-15X3/4 PPH	2	719540
14	33794-08	DECAL, DASH (Shown on Page 4-10)	1	712084
15	11418-A	GROMMET (Shown on Page 4-10)		719523
16	50197-96	FRONT CONSOLE (not drilled)	1	759866

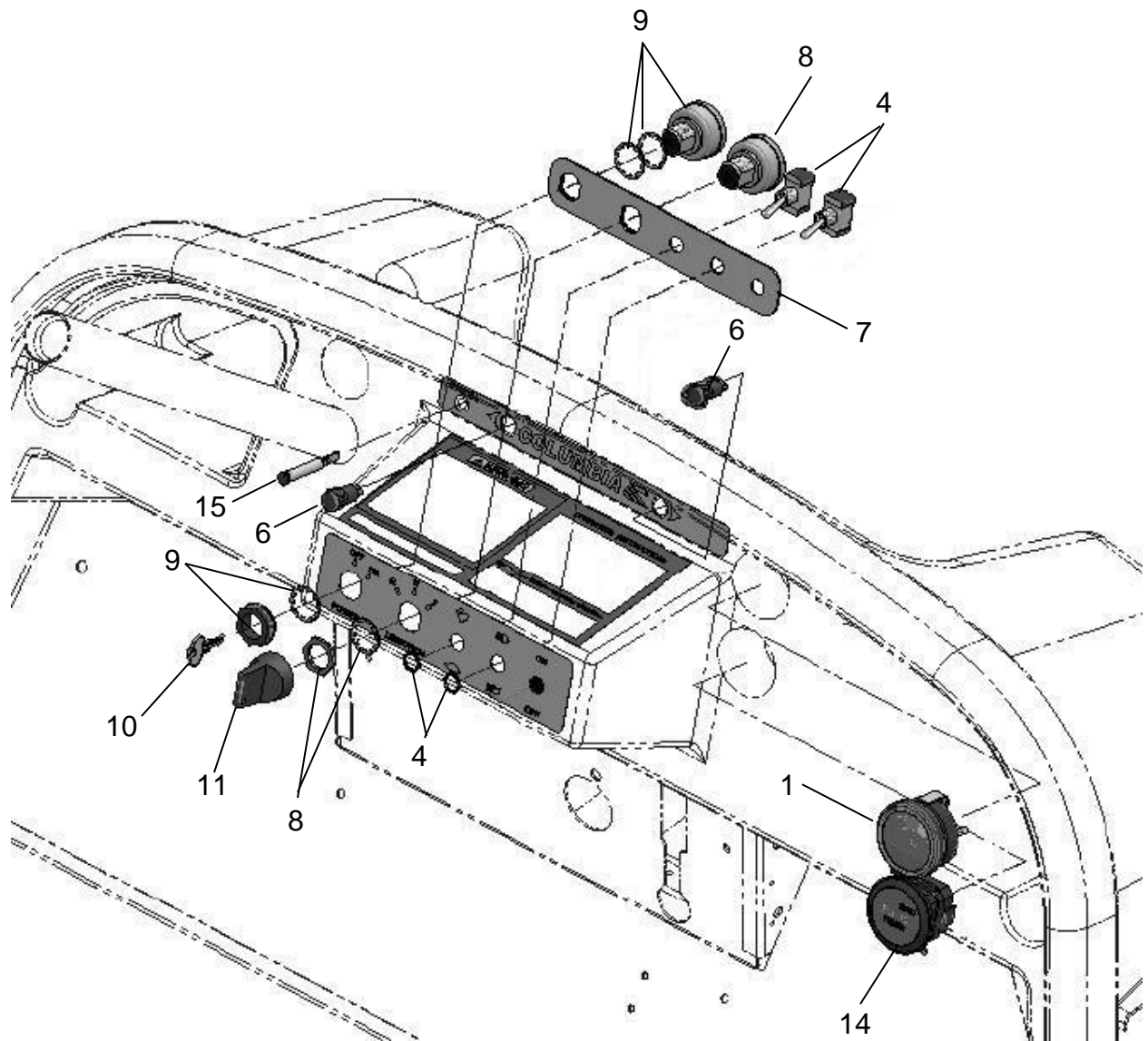
* NOT SHOWN



DASH - EU



DASH – EU (Cont.)



DASH – EU (Cont.)

ITEM	CPC P/N	DESCRIPTION	QTY	SEATS P/N
1	75061-07	BDI METER, 48V	1	759842
1A	75062-07	BDI METER, 36V	1	759874
2	33794-08	DASH OVERLAY SET -ELECTRIC VEHICLE	1	712084
3	43960-07	DECAL, WARNING/OP INST, ELECT	1	712055
4	72000-10	SWITCH, TOGGLE, ON/OFF	2	760600
5	11418-A	GROMMET, 2775 EPDM, 3/16 GROOVE	1	719523
6	67790-00	LIGHT, TURN SIGNAL DASH INDICATOR	2	709111
7	71740-08	PLATE, SWITCH RETAINER	1	513254
8	71730-01	DIRECTIONAL KEYSWITCH	1	709040
9	71732-06	POWER KEYSWITCH	1	759706
10	71731-01	KEYSET, UNIV. A 2 KEYS W/RING	1	749184
11	71767-05	ASSY, KEY, NON-REMOVABLE, W/COVER	1	719432
12	49713-08	FOAM TAPE, 1/8" T X 1" W X 4.88" L	1	709783
13	71426-02	TURN SIGNAL ASSEMBLY	1	464193
14	75033-91A	HOUR METER 10-80 VOLT DC	1	709452
15	67791-08	SYSTEM STATUS LIGHT	1	759932
16	56903-10	ASM, HORN EXTRUSION	1	467347
*	50635-00	COLUMN COVER. (Included W/Item 16)	1	462975
*	71808-00	HORN SWITCH (Included W/Item 16)	1	709176
*	2612-B	SCREW #8-32X1/2 (Included W/Item 16)	2	719571
*	7609-W	NUT 8-32 (Included W/Item 16)	2	719868
*	53266-95	DECAL, HORN (Included W/Item 16)	1	759787
*	69600-10	HARNES, HORN SWITCH (Included W/Item 16)	1	759836
*	69001-76A	HORN 12V	1	709089
*	69005-00	WIRE HARNES UNIV HORN	1	709360
*	64219-03	GLOVE BOX SET, BLACK	1	719152
	8212	RIVET #619 (To attach Glove Box)	4	719931
*	70148-00	KIT, DELUXE HORN	1	190798U

* NOT SHOWN

KEYSET	3 POSITION POWERSWITCH		2 POSITION POWERSWITCH		STANDARD KEYS	
	CPC P/N	SI P/N	CPC P/N	SI P/N	CPC P/N	SI P/N
A	71730-01	709040	71732-06	759706	71731-01	749184
B	71730-03B	719297	71732-06B	759722	71731-03B	719301
C	71730-03C	719298	71732-06C	759723	71731-03C	719302
D	71730-03D	719299	71732-06D	759724	71731-03D	719303
E	71730-03E	719300	71732-06E	759721	71731-03E	719304

TURN SWITCH ASSEMBLY – EU

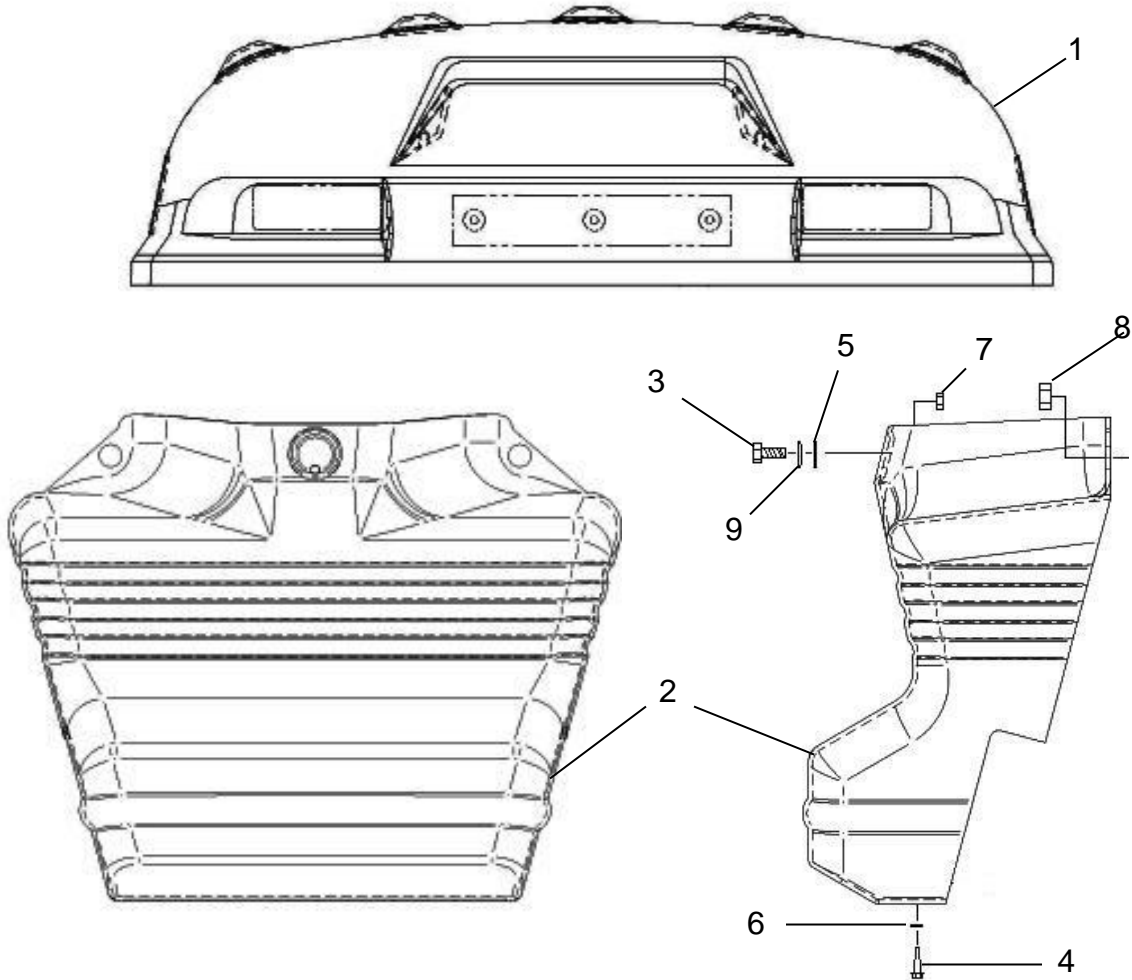
P/N 71426-02



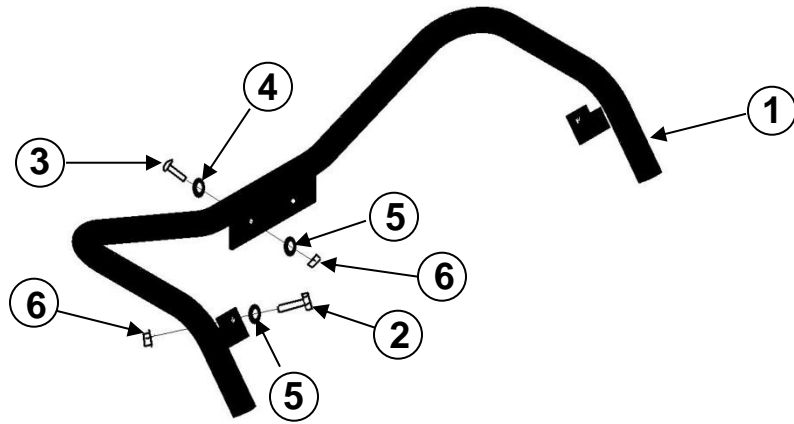
FRONT HOOD AND COVER - EU

ITEM	CPC P/N	DESCRIPTION	QTY	SEATS P/N
1	50131-96	FRONT HOOD	1	462627
2	91059-96	FRONT COVER, BUMPER	1	709047
2A	91047-04	FRONT COVER, BUMPER DELUXE	1	467176
3	2551-W	SCREW, 1/4-20X1, HHC	1	719564
4	2653-B	SCREW, 10-16X3/4	2	719583
5	6703-B	WASHER, 1/4	1	719811
6	6912-B	WASHER, # 8	2	719817
7	7686	NUT, 1/4-20 NYLOCK	1	719879
8	7880	NUT, 1/2-13 HEX	2	719913
9	37084-41	SPR. WASHER	1	729782
*	84205-92A	COLUMBIA DECAL	1	709397

* NOT SHOWN

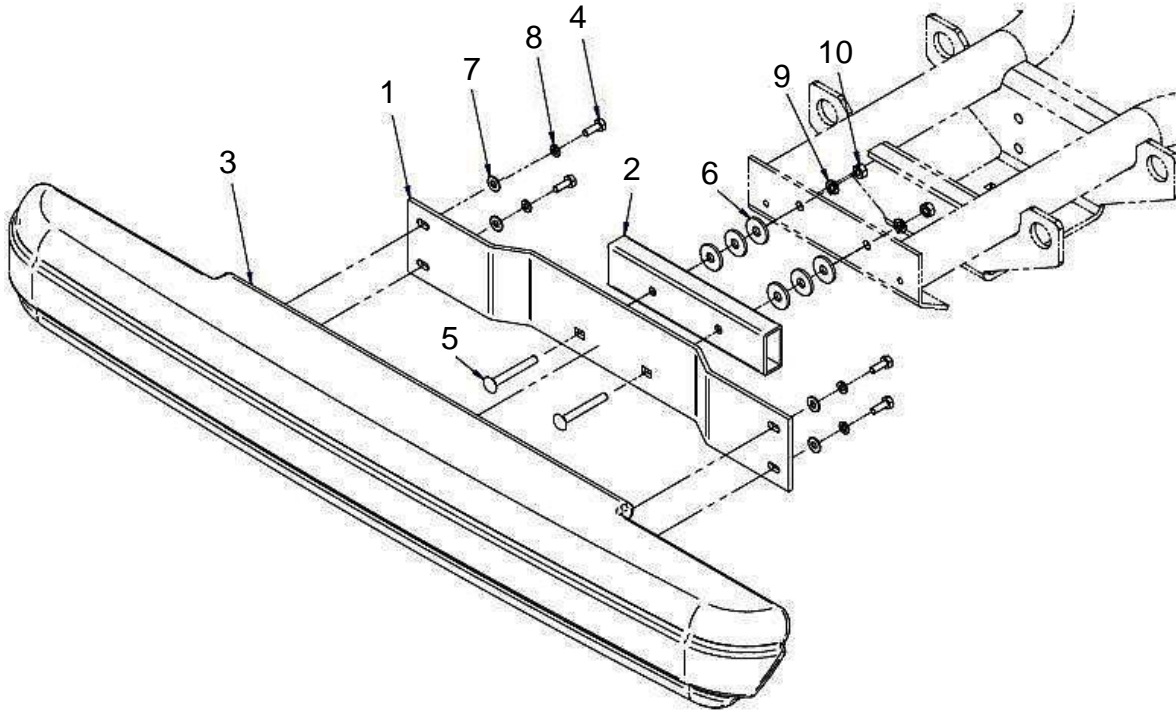


FRONT WRAPAROUND BUMPER - EU



ITEM	CPC P/N	DESCRIPTION	QTY	SEATS P/N
1	44922-97	BUMPER, FRONT WRAPAROUND	1	309811
2	4017	SCREW, 5/16-18X1, HHCS, G5	2	708085
3	5207-BS	SCREW, 5/16-18X2. PPH	2	719730
4	6000-B	WASHER, 5/16 USS/STD	2	719771
5	6417-W	WASHER, .391X1.125X.120 F/W	4	719797
6	7525	NUT, 5/16 GR A, SERRATED FLNG LOCK	4	719864
7	82100-97A	WRAPAROUND BUMPER KIT (Includes Items 1 – 6)	1	190709U

FRONT DUROBUMPER - EU



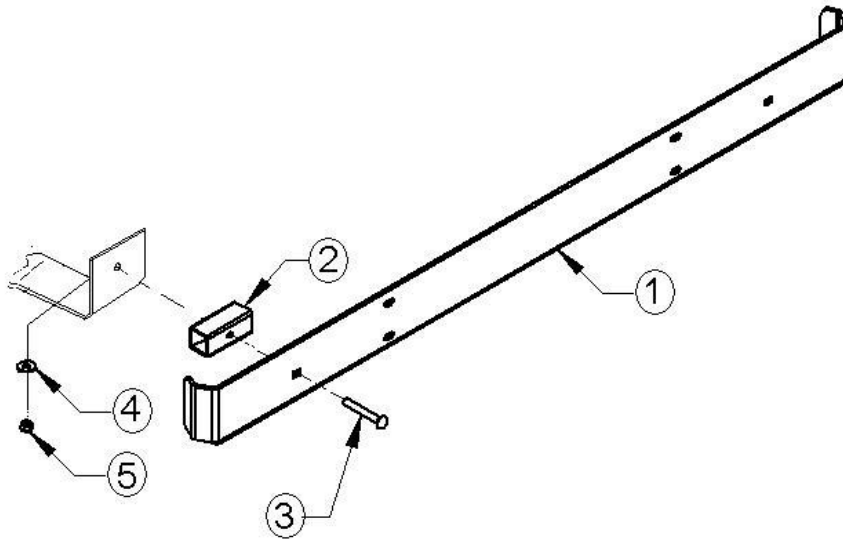
ITEM	CPC P/N	DESCRIPTION	QTY	SEATS P/N
1	91061-96MZ	BRACKET	1	510282
2	43736-06	SPACER (See Note)	1	511241
3	91010-96MZ	DURO BUMPER	1	709169
4	3787-B	SCREW, 1/4-20X3/4"	4	719636
5	5447-BS	SCREW, 5/16-18X2 1/2 (See Note)	2	719749
5A	5449-BS	SCREW 5/16-18X1 1/2	2	719750
6	6417-W	WASHER, .391X1.125X.120 F/W	6	719797
7	6703-B	WASHER 1/4	4	719811
8	7036-B	WASHER, LOCK 1/4	4	719834
9	7041-B	WASHER, 5/16 SPRING LOCK	2	719838
10	7748-B	NUT, 5/16-18 HEX	2	719896
11	89109-06	KIT, FRONT DUROBUMPER	1	191232U

NOTE: Items 2 and 5 used only with lifted vehicles.

REAR BUMPER EU

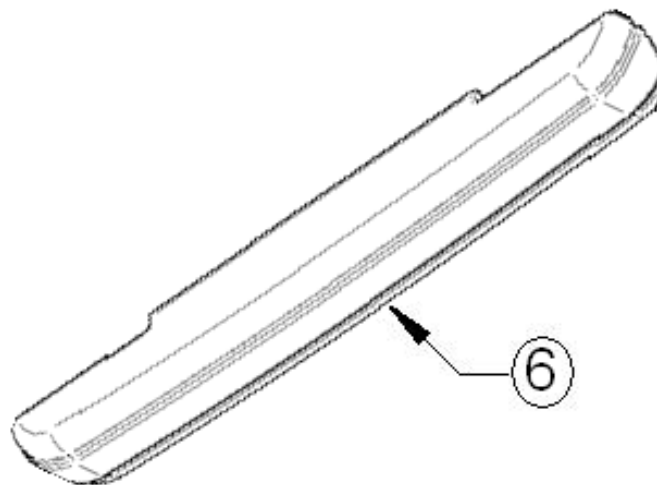
ITEM	CPC P/N	DESCRIPTION	QTY	SEATS P/N
1	*	BUMPER ALUMINUM	1	513275
2	4441-10	BUMPER SPACER	2	510199
3	5460	SCREW, 5/16-18X3.5, CARR, HD, G5	2	719122
4	6000-B	WASHER, 5/16, USS/STD	2	719771
5	7739	NUT, 5/16 NYLOCK	2	719892

* SPECIAL ORDER

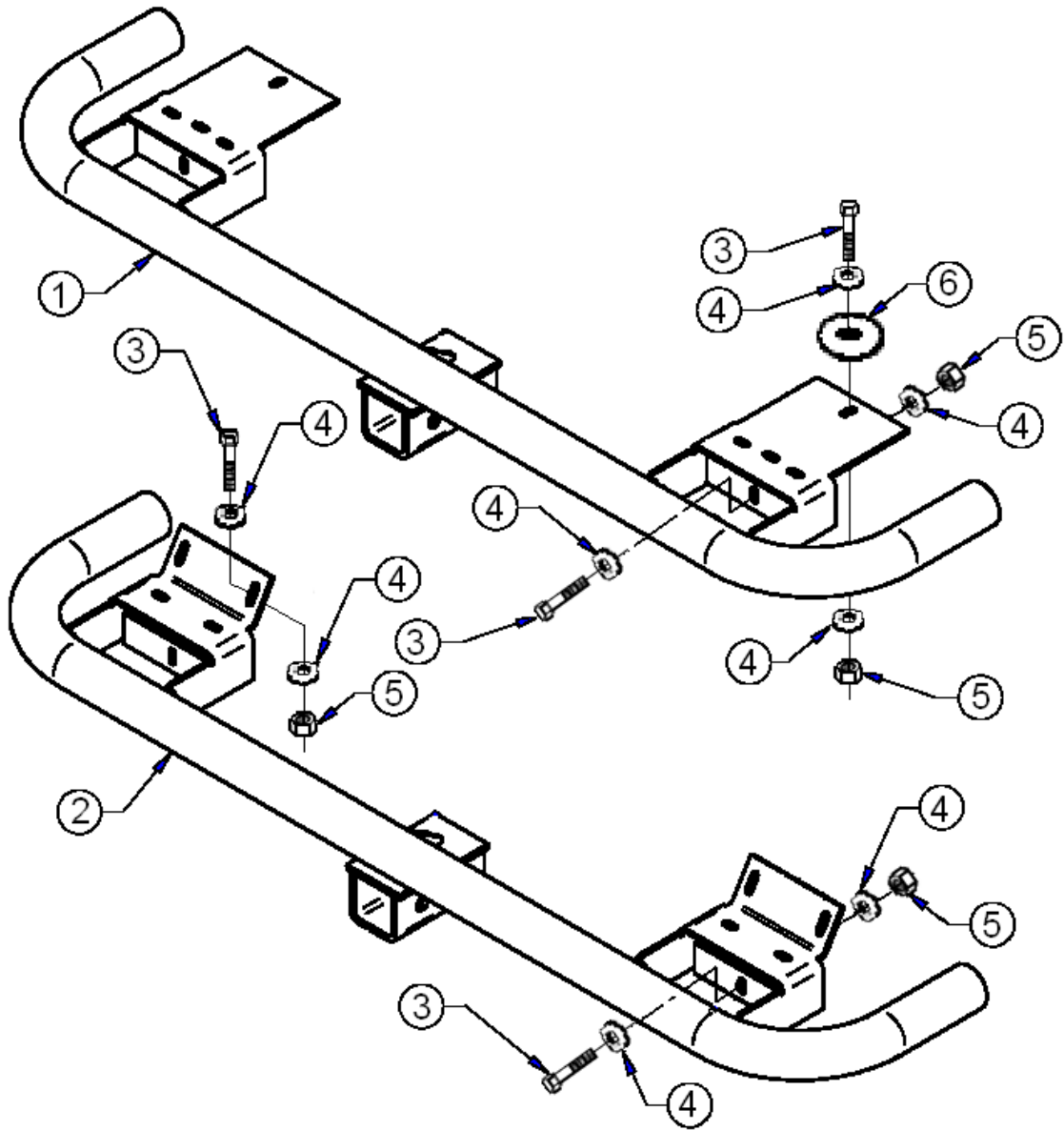


ITEM	CPC P/N	DESCRIPTION	QTY	SEATS P/N
6	91010-96MZ	DURO BUMPER	1	709169
7*	3787-B	SCREW, 1/4-20X3/4	4	719636
8*	6703-B	WASHER 1/4	4	719811
9*	7036-B	WASHER LOCK 1/4	4	719834

* USED TO ATTACH ITEM 6 TO ITEM 1



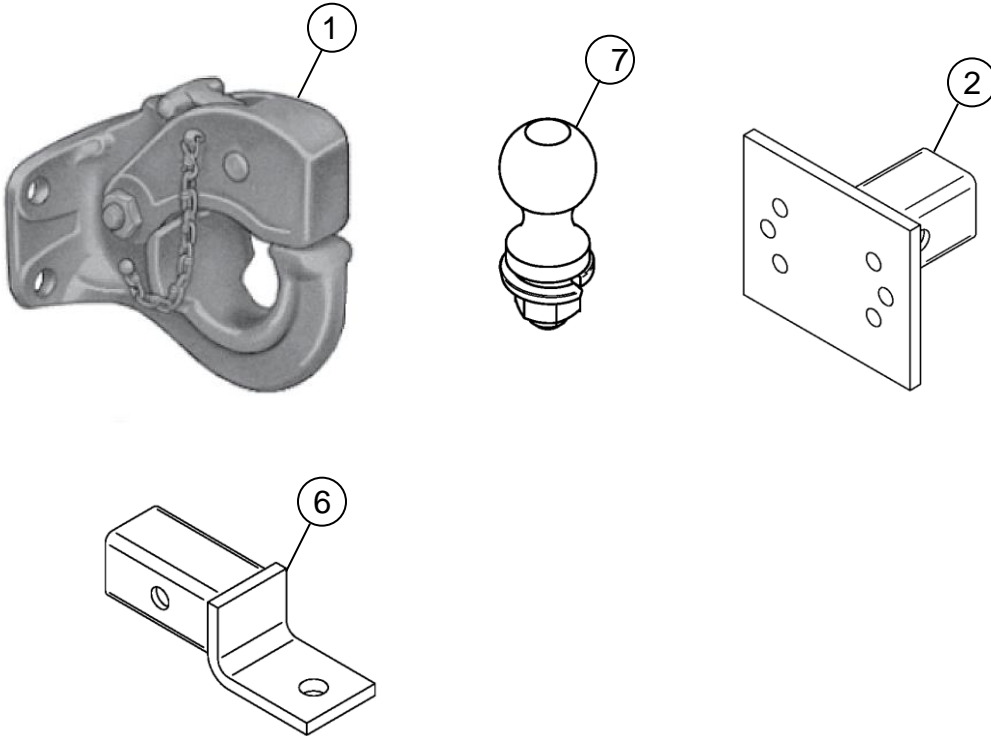
REAR BUMPER WITH RECEIVER - EU



ITEM	CPC P/N	DESCRIPTION	QTY	SEATS P/N
1	50268-02	HD BUMPER UTIL-L	1	308093
2	44927-02	HD BUMPER UTIL-S	1	307502
3	5460	SCREW, 5/16-18X1 1/4, CARR, HD, G5	6/10	719122
4	6000-B	WASHER, 5/16, USS/STD	12/20	719771
5	7739	NUT, 5/16 NYLOCK	4/6	719892
6	6804	WASHER FLT .411X 1.5 X.142	2	719814
7*	719530	HOLE PLUG 1 3/4 BLACK	2	719530
N/A	82101-02	KIT, UTIL-L REAR BUMPER W/RECEIVER	1	190715U
N/A	82105-02	KIT, UTIL-S REAR BUMPER W/RECEIVER	1	190714U

* NOT SHOWN

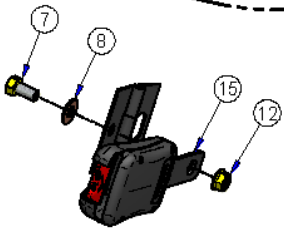
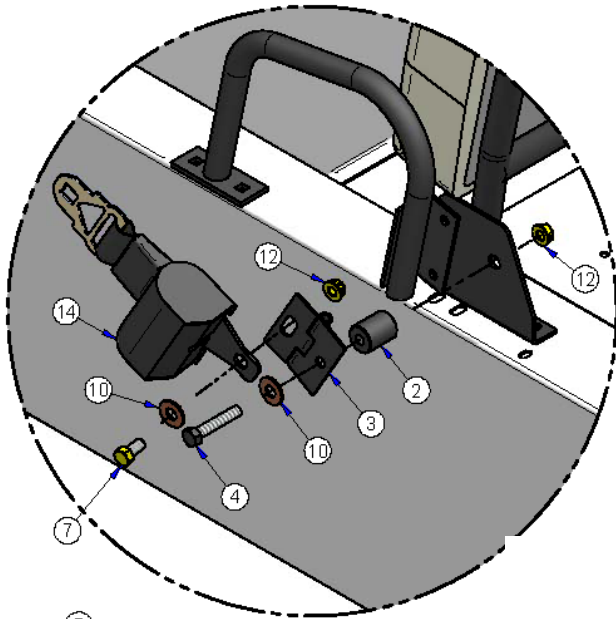
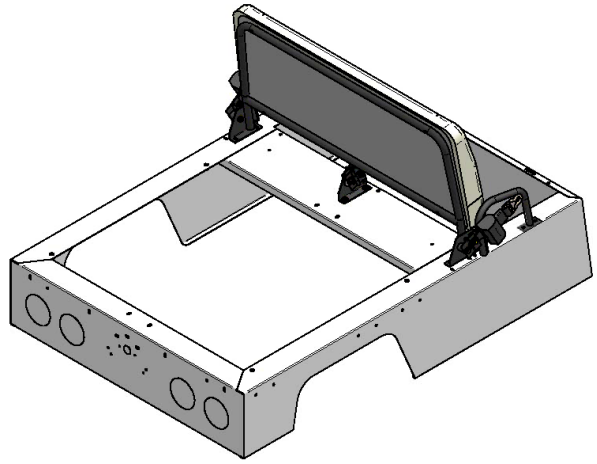
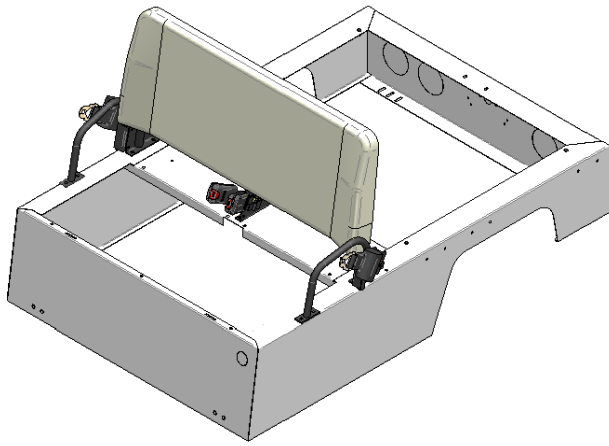
HITCHES - EU



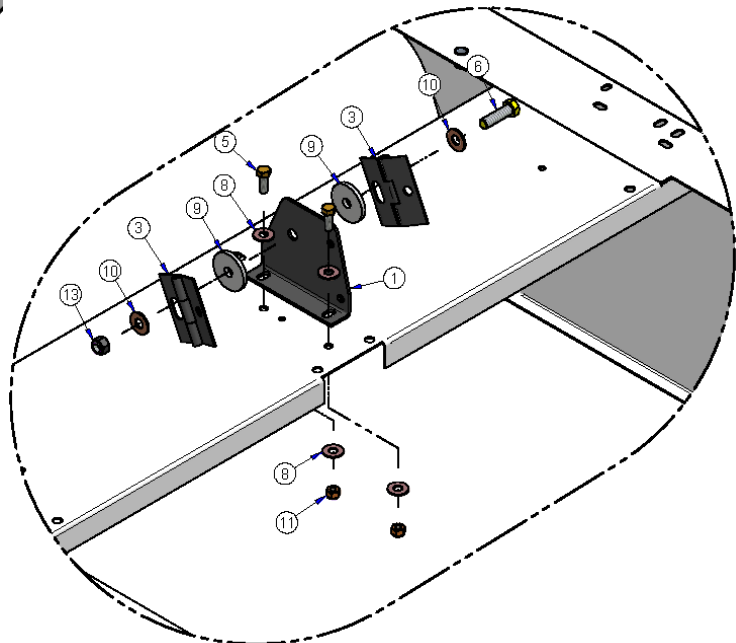
ITEM	CPC P/N	DESCRIPTION	QTY	SEATS P/N
1	57315-96	PINDLE HOOK HITCH	1	709833
2	82071-05	HITCH PLATE	1	307716
3*	82062-02	HITCH PIN 5/8 OD (used with Items 2 & 6)	1	719210
4*	7812-W	NUT, 1/2-20 NYLOK GR A (Used with Item 1)	4	719907
5*	4010	SCREW, 1/2-20x1.5 HHCS G5 (Used with Item 1)	4	729809
6	82072-05	BALL MOUNT RECEIVER	1	306922
7	82065-98	TRAILER HITCH BALL, CHROME 1 7/8"	1	719008
7A	82064-02	HITCH BALL, 2"	1	719207

* NOT SHOWN

SEATBELTS BENCH – EU



INSTALL BUCKLES,
DRIVER'S SIDE SHOWN

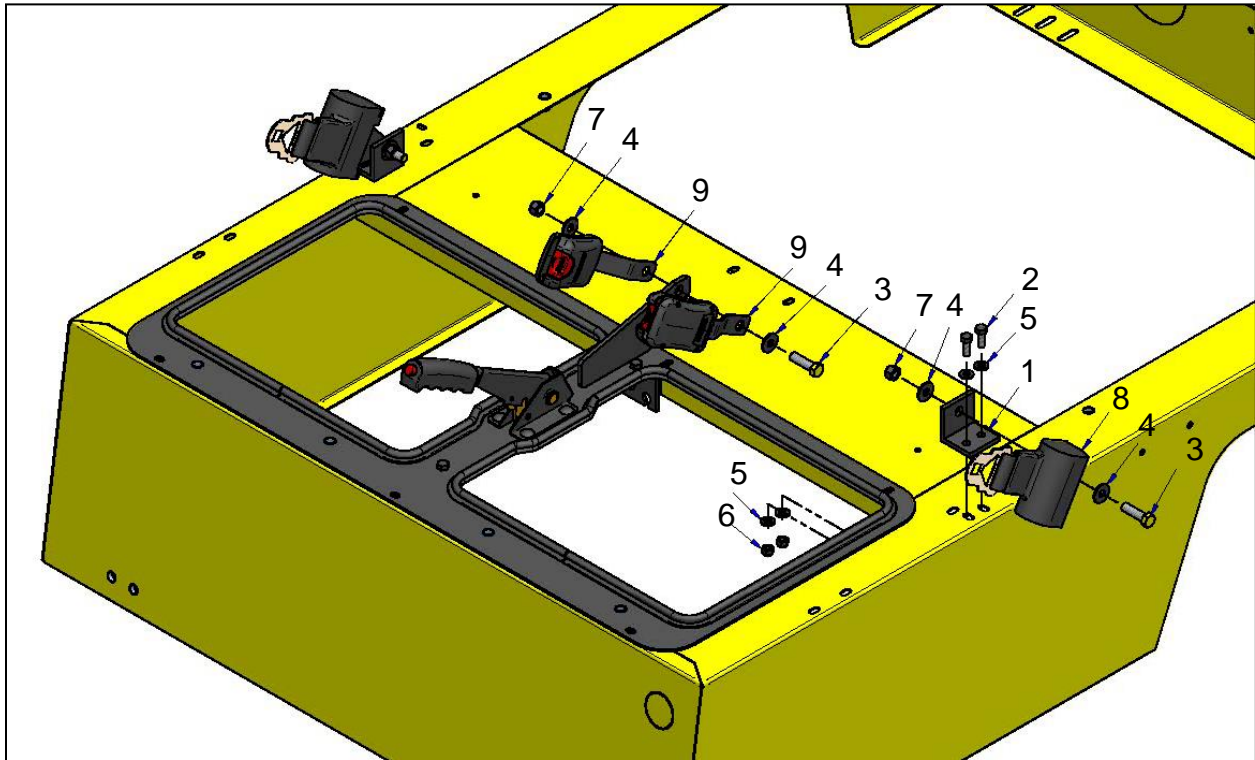


SEATBELTS BENCH – EU (Cont.)

ITEM	CPC P/N	DESCRIPTION	QTY	SEATS P/N
1	*	BRACKET	1	504465P
2	5845	SPACER	2	510324
3	75509-99	HINGE	4	709037
4	3775	SCREW, 3/8-16X2 HHC	2	719634
5	3991	SCREW, 5/16-18X7/8 HHC	2	719643
6	4256	SCREW, 7/16-20X1 1/2 HHC	1	719665
7	4713-W	SCREW, 3/8-16X3/4 HHC	4	719693
8	6000-B	WASHER, 5/16	6	719771
9	6336	WASHER, FLAT	2	719790
10	6416	WASHER, 3/8	6	719796
11	7739	NUT, 5/16-18 NYLOCK	2	719892
12	7755	NUT, 3/8-16 FLANGE, LOCK	6	719899
13	7825	NUT, 7/16-20 NYLOCK	1	719908
14	75504-09	SEAT BELT 48"	2	741359
15	75502-09	SEAT BELT, BUCKLE	2	741361
16	75511-99	KIT, RETRACTABLE SEATBELT	1	190863U

* SPECIAL ORDER

SEATBELTS BUCKET - EU



ITEM	CPC P/N	DESCRIPTION	QTY	SEATS P/N
1	75505-08	SEATBELT BRACKET	2	511730
2	3991	SCREW, 5/16-18X7/8 HHC G5	4	719643
3	4256	SCREW, 7/16-20X1.5 HX HD G5	3	719665
4	6416	WASHER FLAT STL 3/8	6	719796
5	6702-B	WASHER FLAT STL 5/16	8	719810
6	7739	NUT, 5/16-18 NYLOCK	4	719892
7	7825	NUT, 7/16-20 NYLOCK	3	719908
8	75504-09	SEAT BELT 48" BLK 1.3" MOUNT	2	741359
9	75503-09	ATS BUCKLE W/OFFSET STRAP SEAT BELT	2	760553

WHEELS - EU

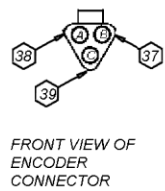
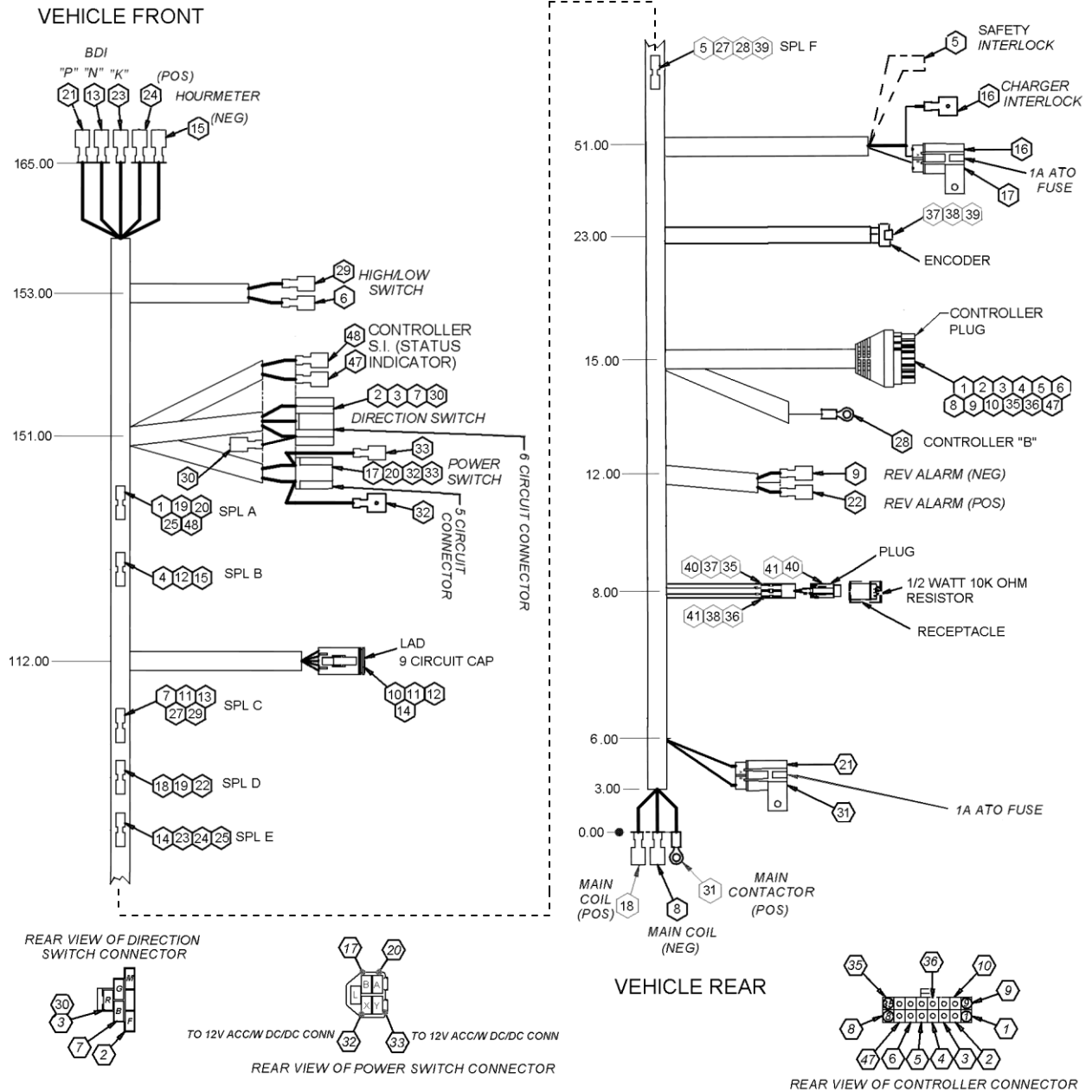
ITEM	CPC P/N	DESCRIPTION	QTY	SEATS P/N
1	41016-02	TIRE/WHL ASSY, 5.7X8 DOT 6-PLY 4 BOLT (Uses Item 2)	4	709363
1A	40998-00	TIRE/WHL ASSY, 5.70X8 LRD 5 HOLE (Uses Item 2)	4	709354
1B	40980-87	TIRE/WHL ASSY, 18.0X8.5-8 STD TURF(Uses Item 2)	4	709007
1C	41002-06	TIRE/WHL ASSY,215/60-8 DOT 4 BOLT (Uses Item 2)	4	759726
1D	40972-07	TIRE/WHL ASSY, 145R12 HIGH SPEED 4 HOLE (Uses Items 2 & 3)	4	759848
1E	40973-07	TIRE/WHL ASSY, 145R12 HIGH SPEED 5 HOLE (Uses Items 2 & 3)	4	759849
1F	42112-03	TIRE/WHL ASSY, FOAM FILL 5.7X8 4 HOLE (Uses Item 2)	4	719351
1G	40994-05	TIRE/WHL ASSY, FOAM FILL 5.7X8 5 HOLE (Uses Item 2)	4	759713
1H	45300-10	TIRE/WHL ASSY, 5.7X8 NON-MARKING 4 HOLE (Uses Item 2)	4	760324
1J	44100-10	TIRE/WHL ASSY, 5.7X8 NON-MARKING 5 HOLE (Uses Item 2)	4	760325
1K	40996-96	TIRE/WHL ASSY, 5.7X8 SOLID NON-MARKING 4 HOLE (Uses Item 2)	4	709146
1L	40997-96	TIRE/WHL ASSY, 5.7X8 SOLID NON-MARKING 5 HOLE (Uses Item 2)	4	729879
2	43152-66	LUG NUT, 1/2-20 TAPERED WHEEL	16/20	709002
3	43740-04	PLTD, SPACER WHEEL 10 GA, 4 HOLE	2	509958PL
4	43606-87	HUB CAP, 8" CHROME & BLACK - TURF	4	709371
4A	43605-87	HUB CAP, 8" GOLD & BLACK - TURF	4	709083
4B	83961-63A	HUB CAP, 8" CHROME BABY MOON TURF	4	709185

UTILITRUCK Parts Manual

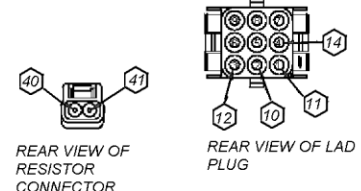
Section 5

Electrical Systems

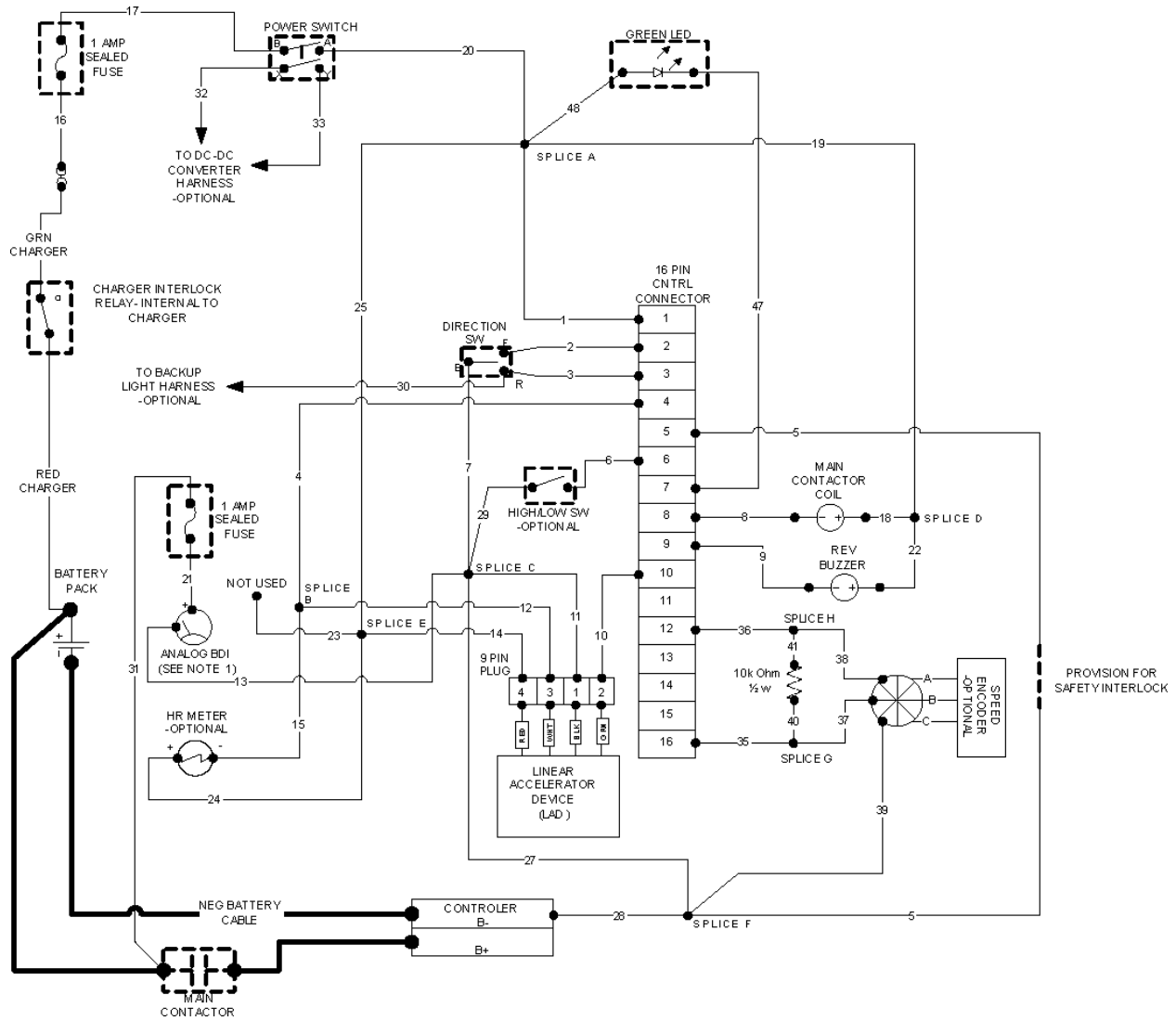
MAIN WIRE HARNESS – EU P/N 70068-07



CIRCUIT NO.	WIRE COLOR	CIRCUIT NO.	WIRE COLOR	CIRCUIT NO.	WIRE COLOR	CIRCUIT NO.	WIRE COLOR
1	RED	11	BLK	21	RED	31	RED
2	GRN	12	WHT	22	YEL	32	RED
3	GRY	13	BLK	23	WHT	33	RED
4	BLK	14	RED	24	WHT	35	GRN
5	BLK	15	BLK	25	WHT	36	RED
6	BLK	16	RED	26	—	37	GRN
7	BLK	17	RED	27	BLK	38	RED
8	BLK	18	RED	28	BLK	39	BLK
9	BLK	19	RED	29	BLK	40	GRN
10	GRN	20	RED	30	GRY	41	RED
						47	BLK
						48	RED



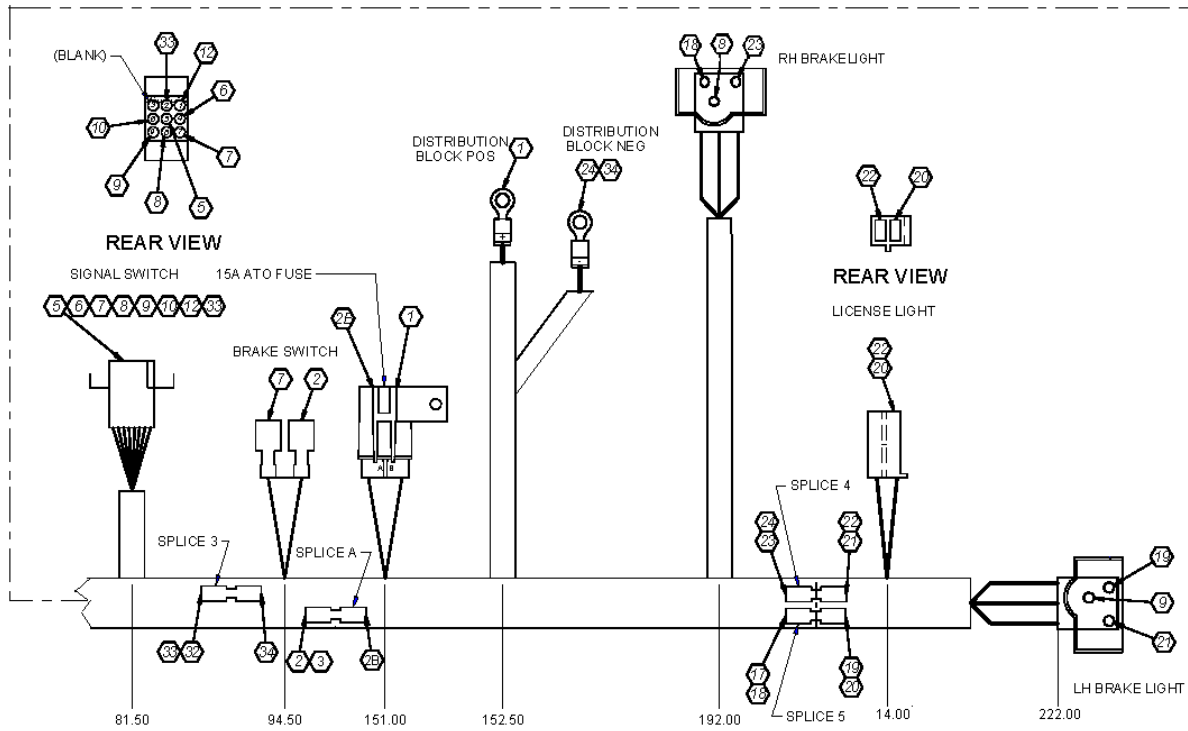
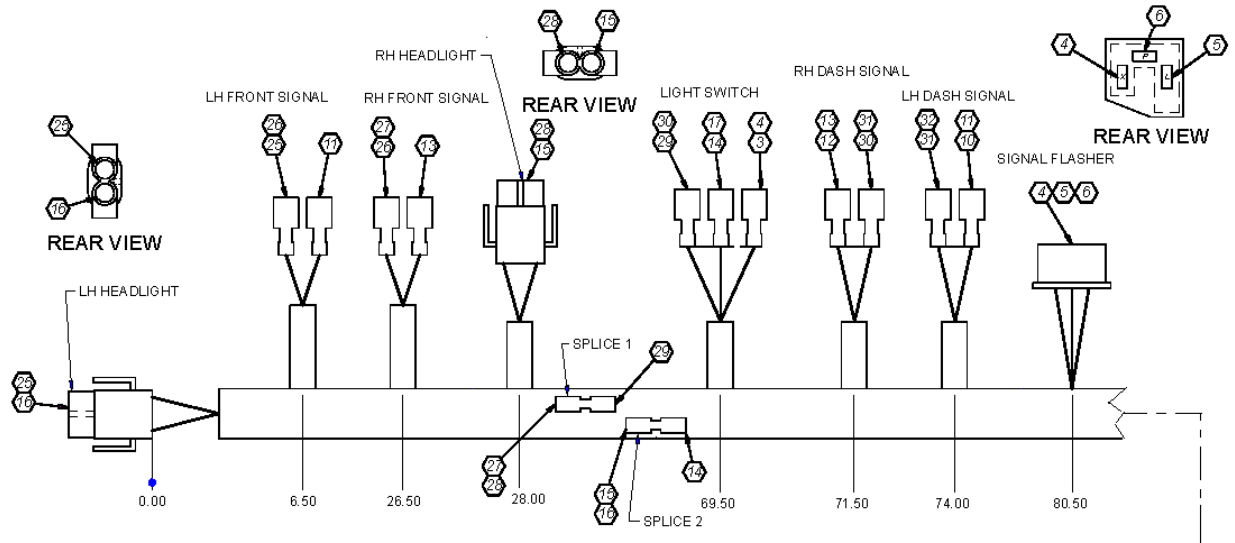
MAIN WIRE HARNESS SCHEMATIC – EU P/N 70068-07



ITEM	CPC P/N	DESCRIPTION	QTY	SEATS P/N
1	75061-07	BDI METER, 48V	1	759842
1A	75062-07	BDI METER, 36V	1	759874
2	75033-91A	HOUR METER	1	709452
3	69900-10	SPEED SWITCH, TOGGLE.	1	760600
4	71425-87	DIRECTION SWITCH	1	719432
5	67791-08	LIGHT, LED, GREEN	1	759932
6	71732-06	KEYSWITCH	1	759706
7	70226-07	ACCELERATOR, LINEAR	1	759803
8	-	CHARGER DELTA Q (See Page 5-11)	1	719249
9	75594-04	FUSE - 1.0 AMP	2	719444
10	47895-05A	CONTROLLER, SEVCON REGEN HP, SEPEX 24/-48 (Programmed 760576)	1	467696
11	71408-96a	ALARM, AUDIBLE SLOW PULSE	1	759831
12	70590-07	RESISTOR, ASSEMBLY	1	759934
13	71455-01A	CONTACTOR W/ MTG BRKT - 24 V (SW80)	1	709166
14	70068-07	MAIN HARNESS (See Note)	1	759890

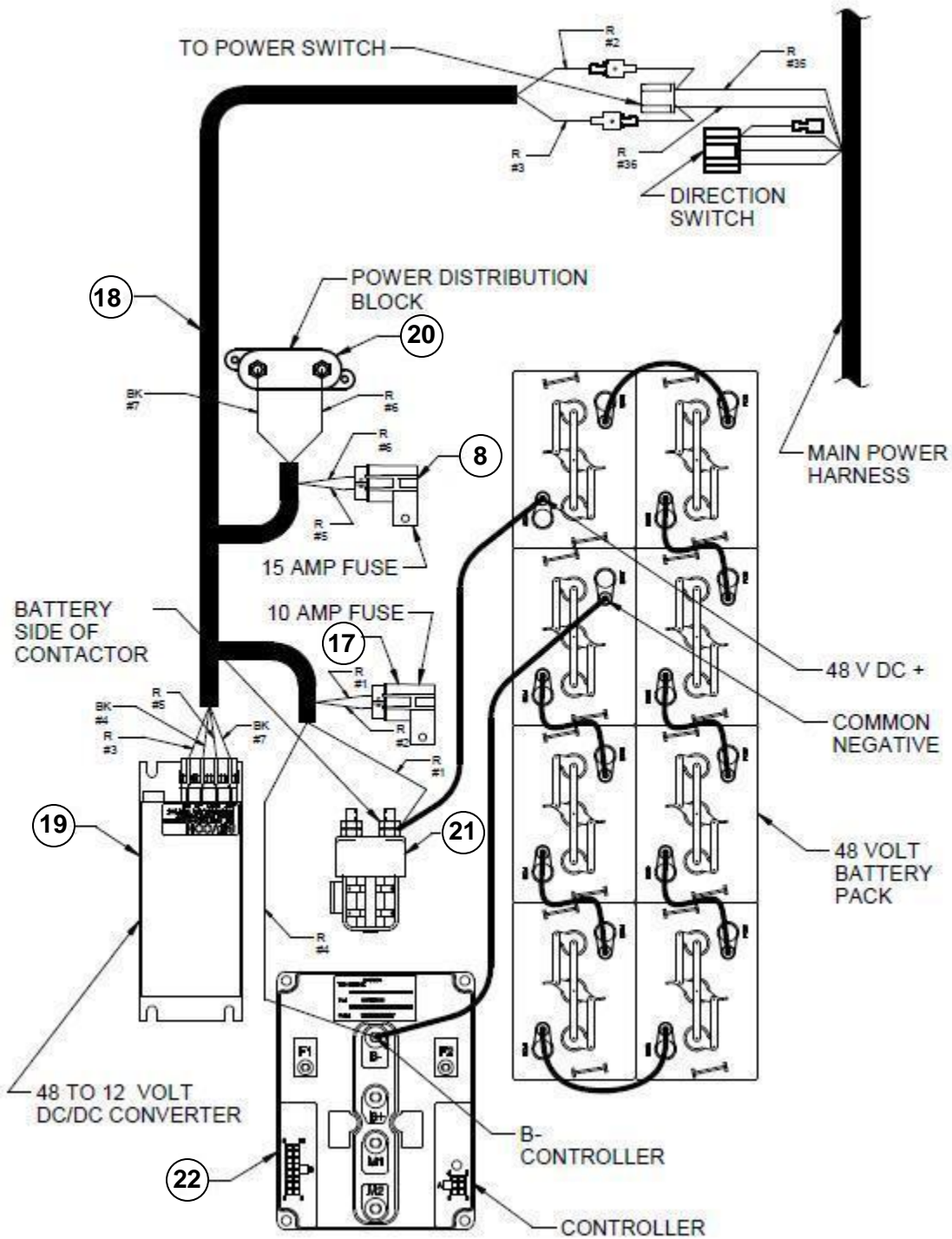
NOTE: For use with vehicle with a pot box, an adapter is required. See page 5-14.

12V ELECTRICAL ACCESSORY WIRING – EU (P/N 68870-02)



CIRCUIT NO.	DESCRIPTION	WIRE LENGTH *	WIRE COLOR	WIRE GAGE	CIRCUIT NO.	DESCRIPTION	WIRE LENGTH *	WIRE COLOR	WIRE GAGE
1	BATTERY POS TO FUSE	43.50	RED	12	18	SPLICE 5 TO RH BRAKE LIGHT TAIL	82.00	BLU	16
2	SPLICE A TO BRAKE SWITCH	66.50	RED	16	19	SPLICE 5 TO LH BRAKE LIGHT TAIL	9.00	BLU	16
2B	FUSE TO SPLICE A	6.00	RED	12	20	SPLICE 5 TO LICENSE LIGHT POS	3.00	BLU	16
3	SPLICE A TO LIGHT SWITCH POS	82.50	RED	16	21	LH BRAKE LIGHT NEG TO SPLICE 4	9.00	BLK	16
4	LIGHT SWITCH POS TO FLASHER X	18.00	RED	16	22	SPLICE 4 TO LICENSE LIGHT NEG	3.00	BLK	16
5	FLASHER L TO SIGNAL SWITCH	10.00	YEL	16	23	SPLICE 4 TO RH BRAKE LIGHT NEG	82.00	BLK	16
6	FLASHER TO SIGNAL SWITCH	10.00	BLU	16	24	SPLICE 4 TO BATTERY NEG	98.50	BLK	16
7	SIGNAL SWITCH TO BRAKE SWITCH	10.00	WHT	16	25	LH HEADLIGHT NEG TO LH FRONT SIGNAL NEG	12.50	BLK	16
8	SIGNAL SWITCH TO RH BRAKE LIGHT SIGNAL	178.50	GRY	16	26	LH FRONT SIGNAL NEG TO RH FRONT SIGNAL NEG	32.00	BLK	16
9	SIGNAL SWITCH TO LH BRAKE LIGHT SIGNAL	147.50	ORG	16	27	RH FRONT SIGNAL NEG TO SPLICE 1	8.50	BLK	16
10	SIGNAL SWITCH TO LH DASH SIGNAL POS	19.50	GRN	16	28	SPLICE 1 TO RH HEADLIGHT NEG	6.00	BLK	16
11	LH DASH SIGNAL POS TO LH FRONT SIGNAL POS	78.50	GRN	16	29	SPLICE 1 TO LIGHT SWITCH NEG	45.50	BLK	16
12	SIGNAL SWITCH TO RH DASH SIGNAL POS	22.00	RED	16	30	LIGHT SWITCH NEG TO RH DASH SIGNAL NEG	11.00	BLK	16
13	RH DASH SIGNAL POS TO RH FRONT SIGNAL POS	56.00	RED	16	31	RH DASH SIGNAL NEG TO LH DASH SIGNAL NEG	11.50	BLK	16
14	LIGHT SWITCH LOAD TO SPLICE 2	6.00	BLU	16	32	LH DASH SIGNAL NEG TO SPLICE 3	14.00	BLK	16
15	SPLICE 2 TO RH HEADLIGHT POS	45.50	BLU	16	33	SPLICE 3 TO SIGNAL SWITCH	8.50	BLK	16
16	SPLICE 2 TO LH HEADLIGHT POS	68.50	BLU	16	34	SPLICE 3 TO BATTERY NEG	107.50	BLK	16
17	LIGHT SWITCH LOAD TO SPLICE 5	148.50	BLU	16					

DC/DC CONVERTER WIRING - EU

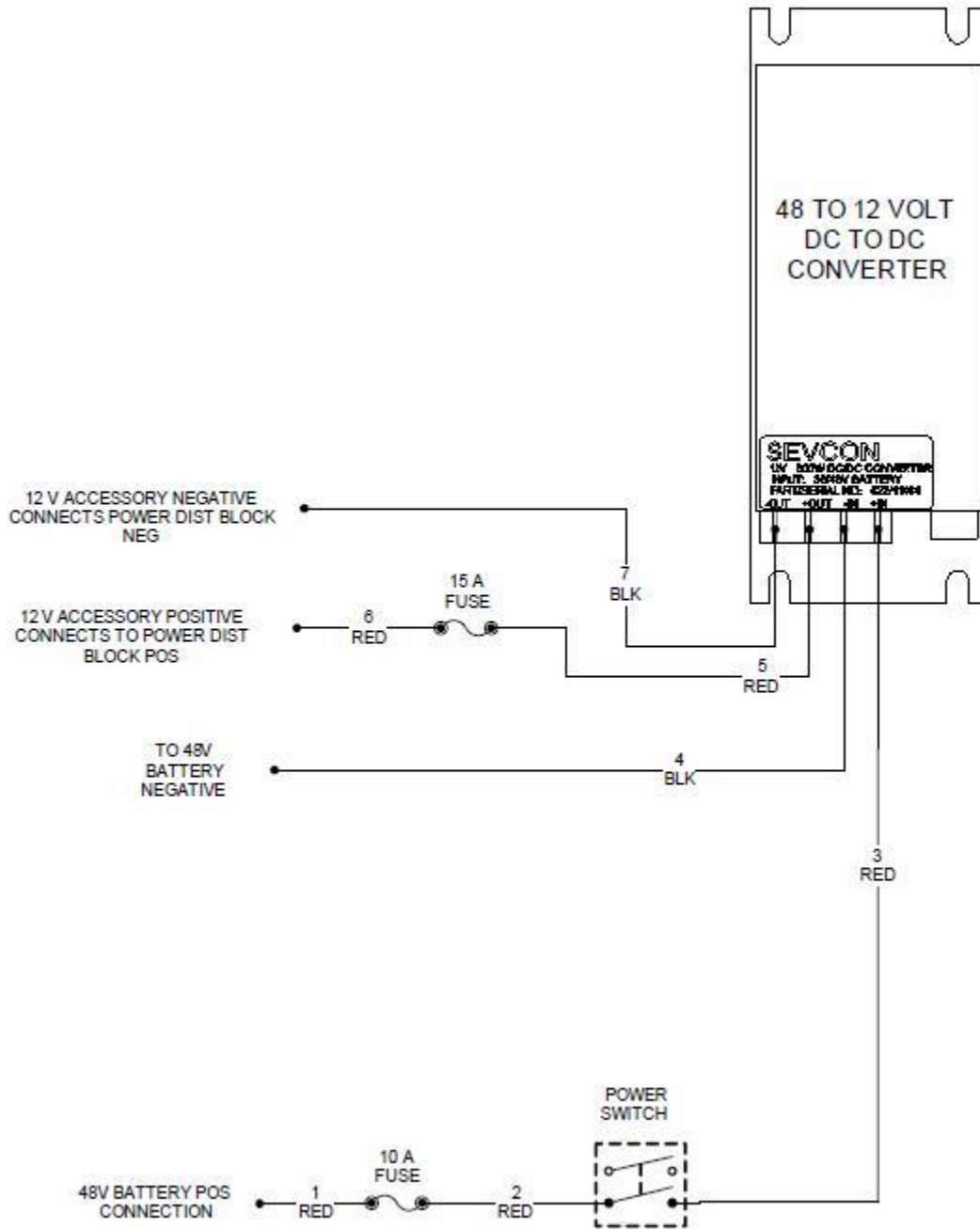


12V ELECTRICAL ACCESSORY - EU

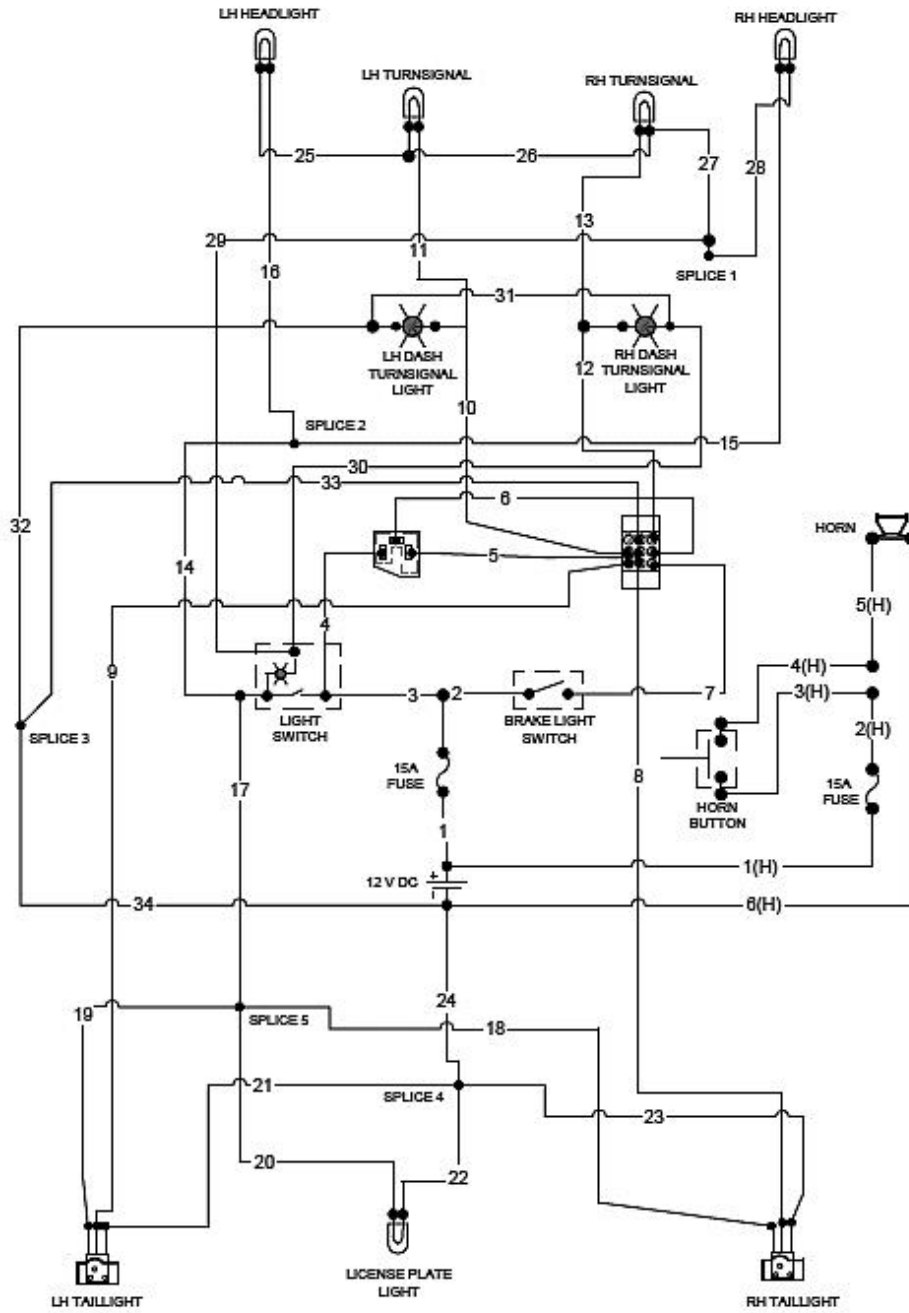
ITEM	CPC P/N	DESCRIPTION	QTY	SEATS P/N
1	68900-10	HEADLIGHTS, GLASS (PAIR, RECTANGULAR)	1	467666
2	68499-96	ASSY, FRONT TURN LIGHT	2	467420
3	72000-10	SWITCH, TOGGLE	1	760600
4	67790-00	LIGHT, DASH SIGNAL INDICATOR	2	709111
5	71977-04	FLASHER	1	719366
6	71426-02	ASSY, TURN SWITCH W/GROMMET	1	464193
7	71408-96A	ALARM, AUDIBLE, SLOW PULSE	1	759831
8	74595-01	FUSE, 15 AMP ATO/ATC	2	709255
9	68020-92	LIGHT, 4" TAIL LAMP ASSY W/PLUG	2	709109
10	68870-02	HARNESS, 12V ACCESSORY, GOLF & UTILITY	1	739951
11	69005-00	HARNESS, UNIVERSAL HORN	1	709360
12	71808-00	SWITCH, HORN, SURFACE MOUNT	1	709176
13	69001-76A	HORN, 12V (See Note)	1	709089
13A	69003-12	HORN 48V	1	760753
14	68877-04	HARNESS, BACK UP LIGHTS, ACE+	1	719389
15	66556-07	12V RELAY	1	759854
16	68503-03	LIGHT, ROUND 2" BACK UP	2	719320
17	74596-02	FUSE, 10 AMP ATO/ATC	1	709786
18	70030-06	HARNESS, DC-DC CONVERTER	1	759778
19	69642-05	48V TO 12V DC-DC CONVERTER	1	760378
20	71854-06	POWER DISTRIBUTION BLOCK	1	759792
21	71455-01A	CONTACTOR & MOUNT BRACKET 24V	1	709166
22	47895-05A	CONTROLLER, SEVCON RGEN-SEPEX (Programmed 760576)	1	467696
23	71730-01	DIRECTION KEYSWITCH	1	709040
24	68842-06	KIT, HEADLIGHT – SERVICEABLE	1	191304U
25	68818-96	KIT, RUN LIGHT, ROUND TAIL LIGHT	1	191313U
26	68807-96	KIT, DELUXE LIGHT, ROUND TAIL LIGHT, MECH	1	191314U
27	68800-96	KIT, DELUXE LIGHT, ROUND TAIL LIGHT, HYD	1	191315U

NOTE: Vehicle produced after mid 2012 are equipped with a 48 V horn. If replacing a 12V horn it is recommended replacing it with a 48V horn. See Horn Harness information page 5-14.

DC-DC CONVERTER SCHEMATIC - EU



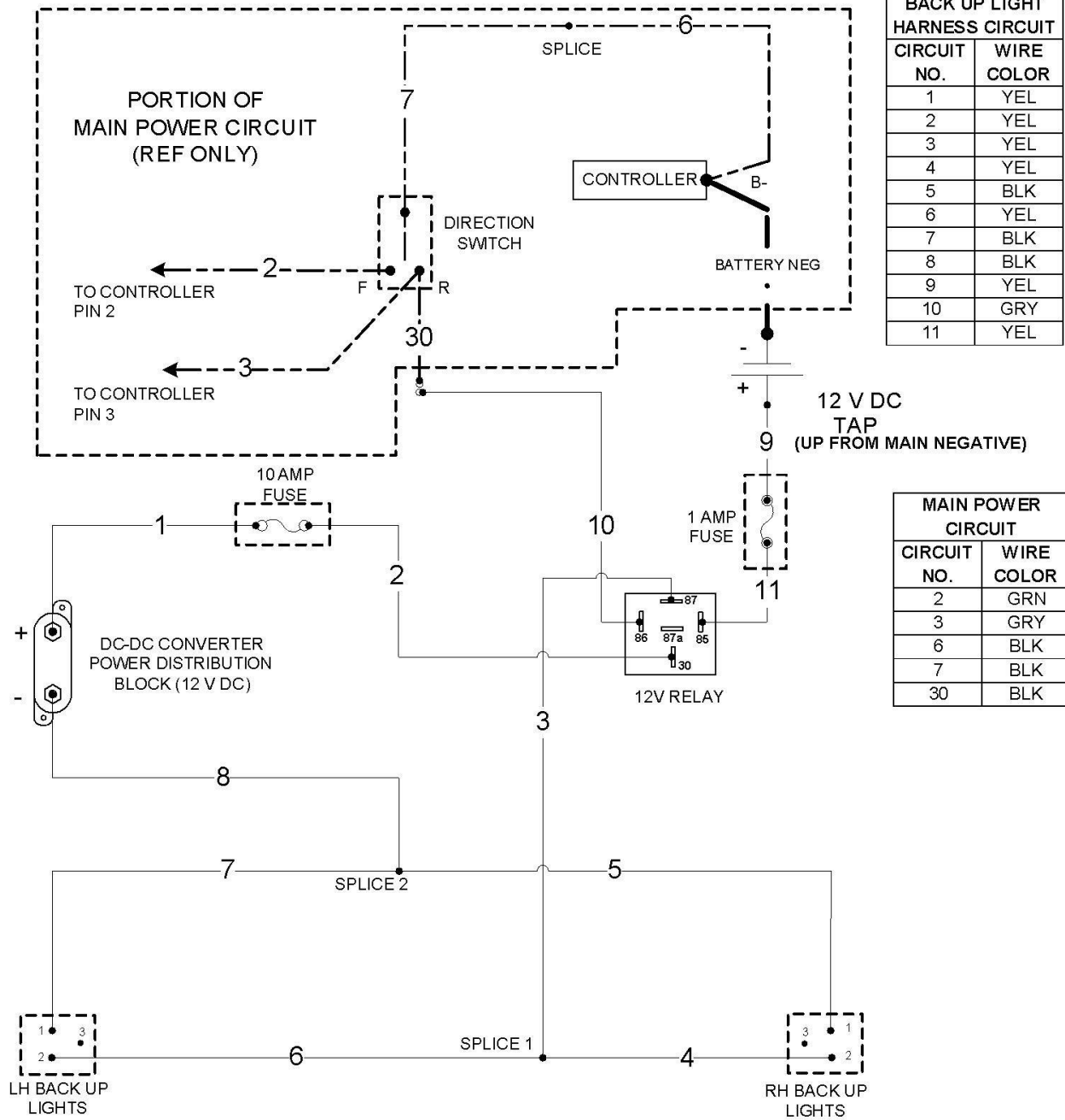
12V ACCESSORY SCHEMATIC - EU



CIRCUIT NO.	WIRE COLOR
1	RED
2	RED
3	RED
4	RED
5	YEL
6	BLU
7	WHT
8	GRY
9	ORG
10	GRN
11	GRN
12	RED
13	RED
14	BLU
15	BLU
16	BLU
17	BLU
18	BLU
19	BLU
20	BLU
21	BLK
22	BLK
23	BLK
24	BLK
25	BLK
26	BLK
27	BLK
28	BLK
29	BLK
30	BLK
31	BLK
32	BLK
33	BLK
34	BLK
1(H)	WHT
2(H)	WHT
3(H)	WHT
4(H)	WHT
5(H)	WHT
6(H)	BLK

(H) HORN HARNESS CIRCUIT

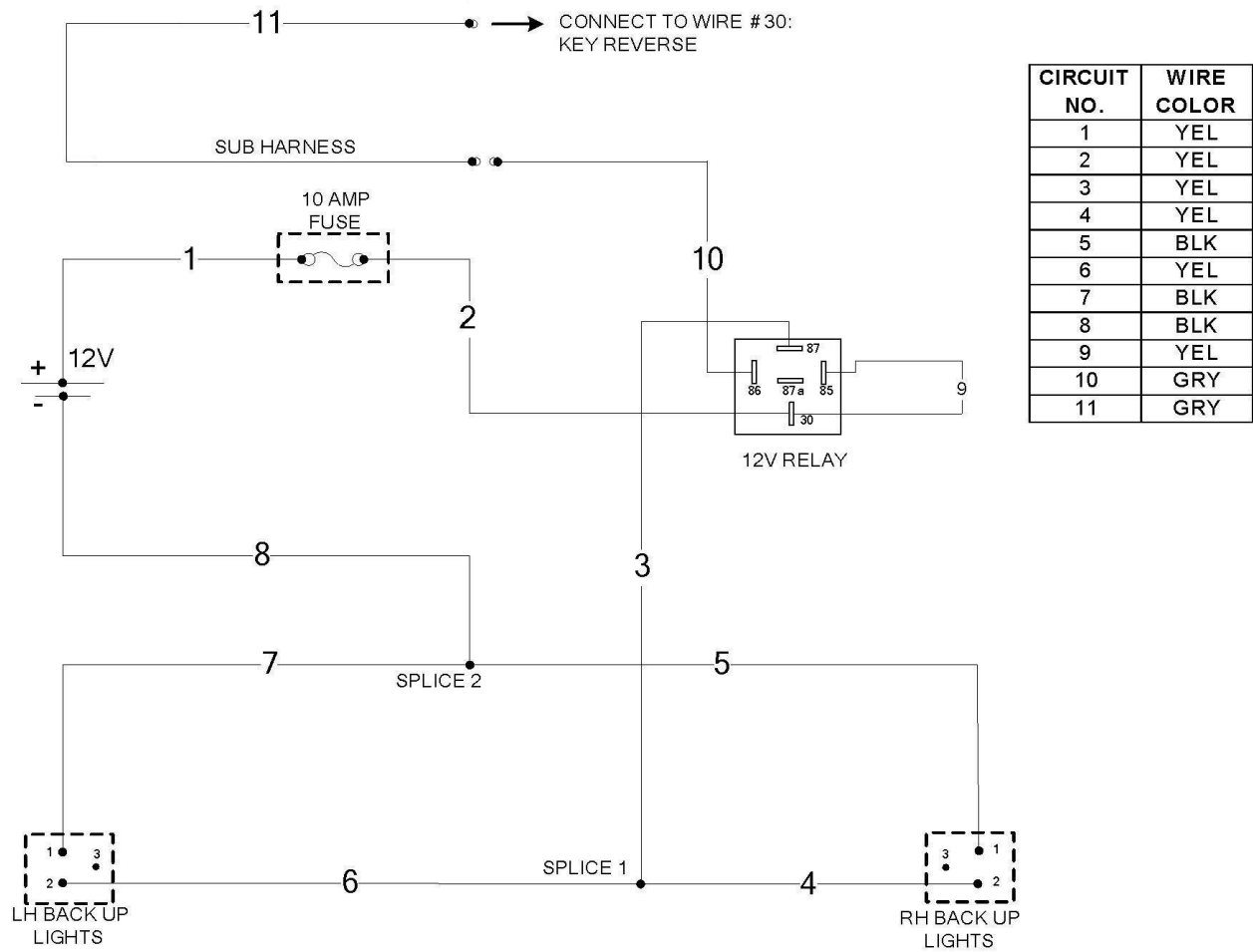
BACK UP LIGHTS HARNESS SCHEMATIC WITH DC-DC CONVERTER - EU



BACK UP LIGHT HARNESS CIRCUIT	
CIRCUIT NO.	WIRE COLOR
1	YEL
2	YEL
3	YEL
4	YEL
5	BLK
6	YEL
7	BLK
8	BLK
9	YEL
10	GRY
11	YEL

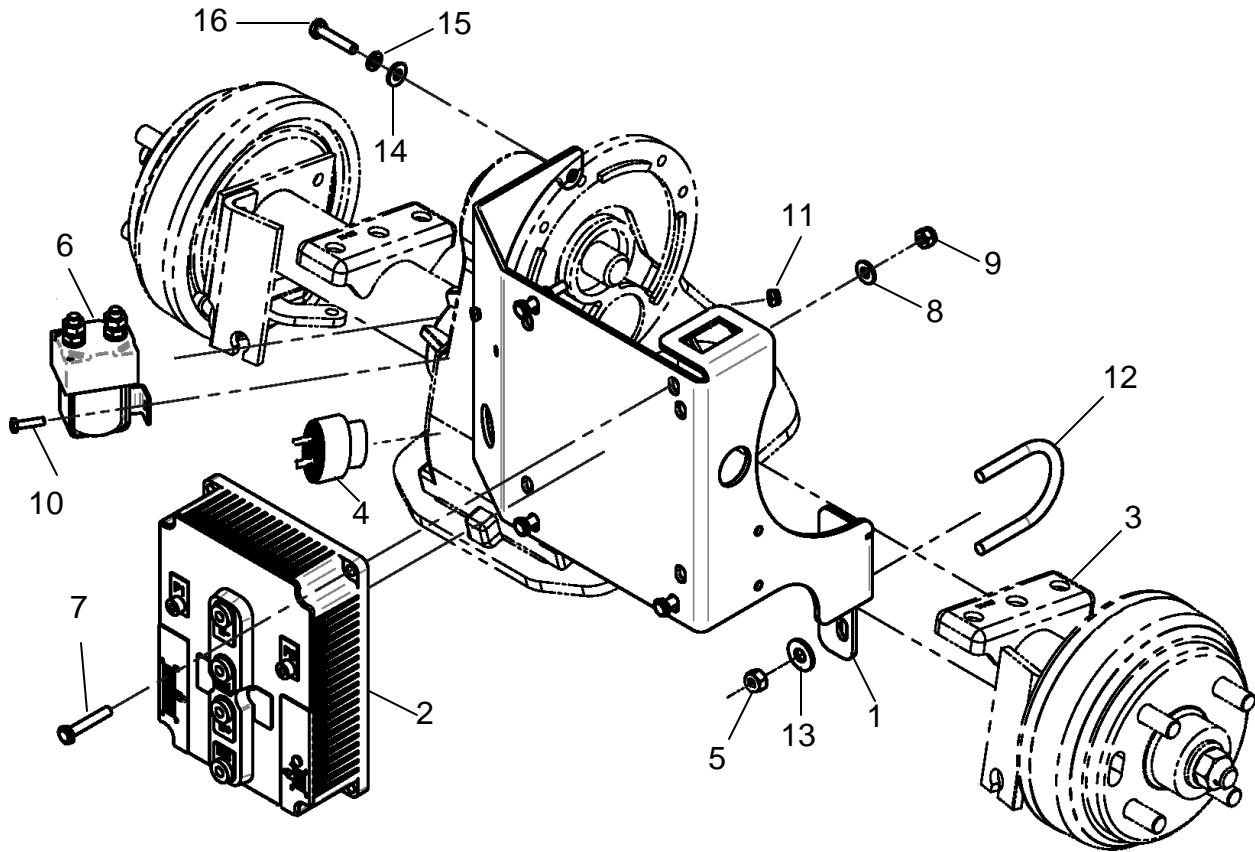
MAIN POWER CIRCUIT	
CIRCUIT NO.	WIRE COLOR
2	GRN
3	GRY
6	BLK
7	BLK
30	BLK

BACK UP LIGHTS HARNESS SCHEMATIC ACE + - EU



CIRCUIT NO.	WIRE COLOR
1	YEL
2	YEL
3	YEL
4	YEL
5	BLK
6	YEL
7	BLK
8	BLK
9	YEL
10	GRY
11	GRY

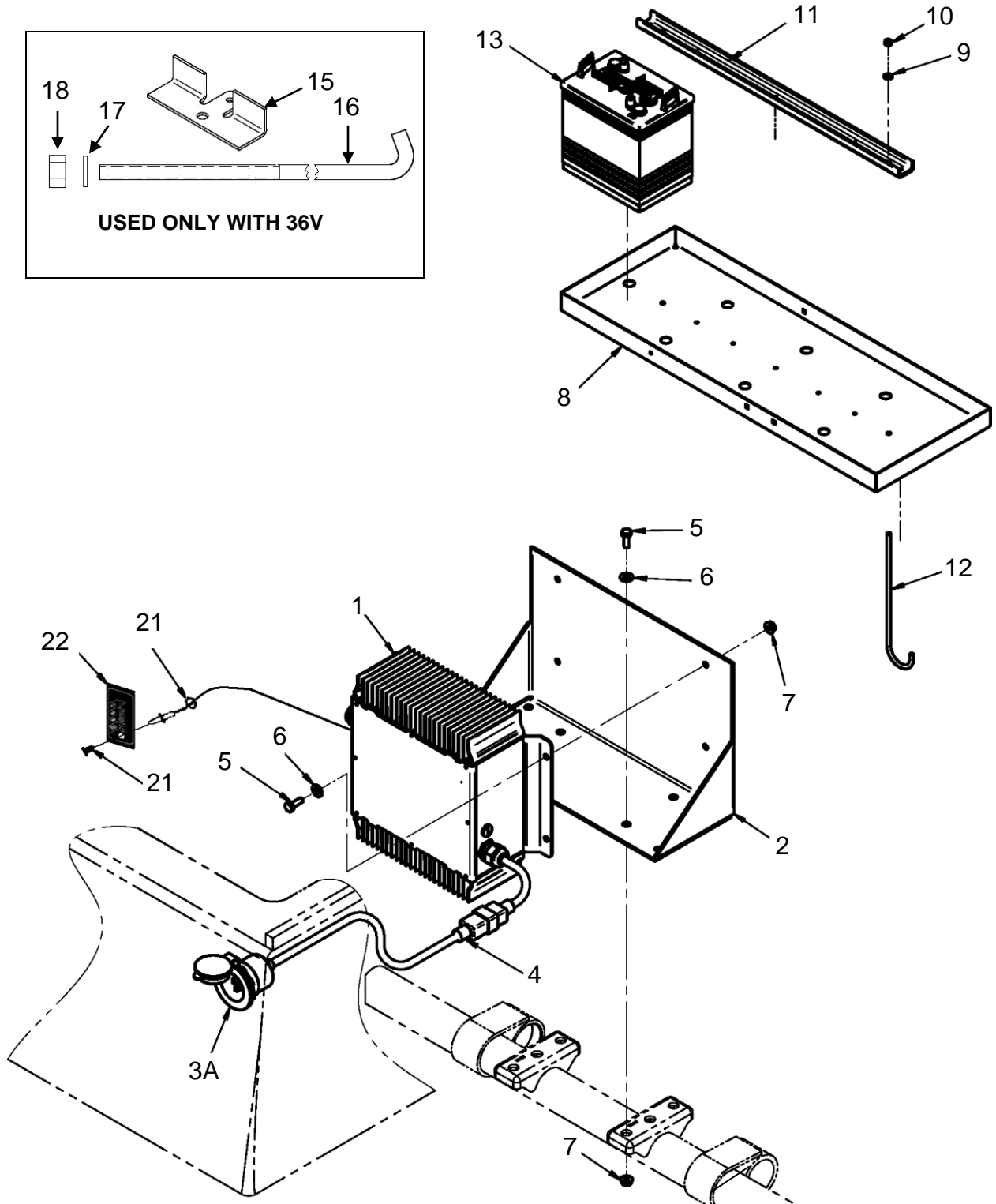
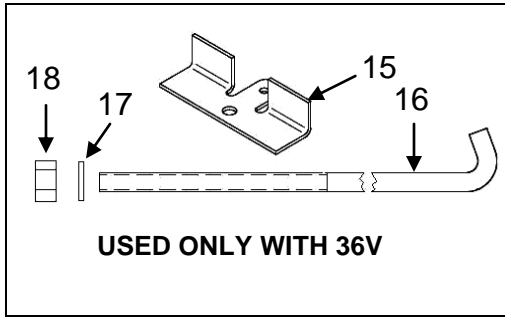
CONTROL PANEL COMPONENTS - EU



ITEM	CPC P/N	DESCRIPTION	QTY	SEATS P/N
1	71020-01	MOUNTING BRKT - PANEL CONTROLLER	1	510394
2	47895-05A	CONTROLLER, SEVCON REGEN HP, SEPEX 24/-48 (Programmed 760576)	1	467696
3		AXLE, ELECTRIC (See Section 3)	1	
4	71408-96A	ALARM, BACK UP	1	759831
5	7739	NUT, 5/16-18, NE, NYLON INSERT, GA, YWZC	2	719892
6	71455-01A	CONTACTOR W/ MTG BRKT - 24 V (SW80)	1	709166
7	2551-W	SCREW, 1/4-20X1, HHCS,G5, YWZC	4	719564
8	6703-B	WASHER FLAT STL 1/4 SAE - BLK	4	719811
9	7686	NUT 1/4-20 NYLOCK, GA YWZC	4	719879
10	2685-W	SCREW, #10-24 X 5/8 HWH TRD ROL	2	719586
11	7624	NUT, #10-24 GR A NM MACH NYLON LOCK	2	719870
12	5211	U-BOLT, #014,ZC	1	719734
13	6000-B	WASHER, 5/16,USS, STD, F/W BLK MAX	2	719771
14	708616	SCREW, 1/4-20 X 1 1/4" HHCS, G5, YWZC150	3	708616
15	7036-B	WASHER, LOCK 1/4 BLACK ZINC	3	719834
16	6703-B	WASHER, FLAT STL 1/4 SAE- BLK	3	719811

* NOT SHOWN

CHARGER & BATTERY – EU



CHARGER & BATTERY – EU (Cont.)

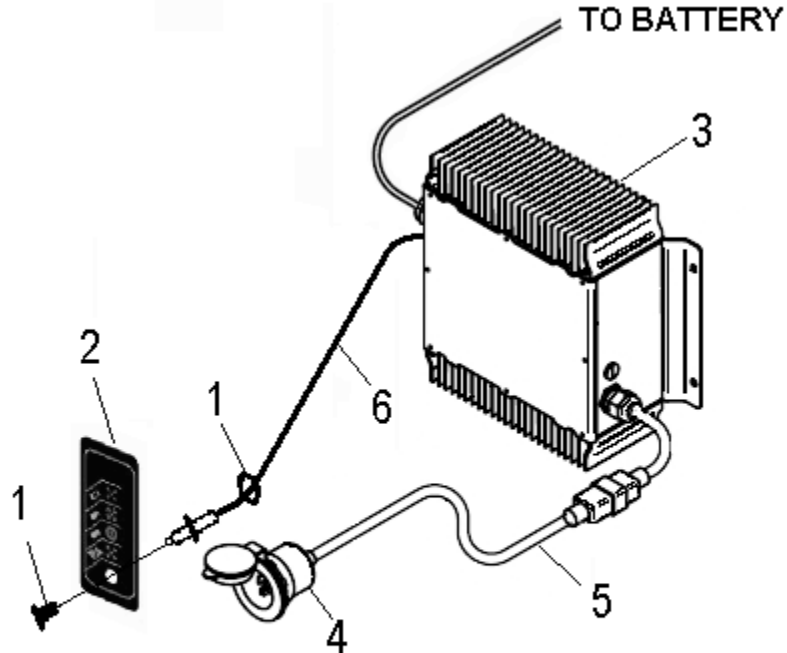
ITEM	CPC P/N	DESCRIPTION	QTY	SEATS P/N
1**	66501-12	CHARGER, DELTA Q 36V W/LED, STANDARD	1	760743
1A**	66583-12	CHARGER, DELTA Q 48V W/LED, STANDARD	1	760742
1B**	66582-12	CHARGER, DELTA Q 48V W/LED, AGM	1	467839
2	66437-03	BRACKET, CHARGER MOUNT, DELTA Q	1	307471
3	70036-05	CHARGER CORD W/RECEPTACLE ASSY (Includes 3A & 4)	1	467405
3A	66034-02	RECEPTACLE, POWER INLET (120V) W/ HARDWARE	1	709558
4	66493-03	CHARGER CORD, 6 FT 14/3 WIRE BLACK	1	719264
5	3787-B	SCREW, HEX HEAD CAP 1/4-20 X 3/4 G5	8	719636
6*	6703-B	WASHER FLAT STL 1/4 SAE UNHARD BLK	8	719811
7	7724-B	NUT 1/4-20 GR A SERRATED FLNG LOCK	5	719887
8	47105-10	BATTERY TRAY	1	309820
9	708859-SW	WASHER, 3/8", STD FLAT, STAINLESS	2	708859
10	708860-LH	NUT, 3/8-16 NYLOCK	2	708860
11	47711-98A	HOLD DOWN, BATTERY	1	709196
12	66561-02	J-HOOK, Ø2.60 X 13.86	2	708862
13	66014-03	BATTERY, 6V, DC, US2200	6/8	719229
13A	66200-10	BATTERY, 6V DC, SEALED, AGM, GC2	6/8	760586
13B	66005-03	BATTERY, 6V DC, US145	6	719231
*14	70099-88	CABLE, 4GA, 8.75"	5/7	709004
15	66385-00	BATTERY TRAY SUPPORT	2	510353
16	66561-90A	ROD, BATTERY HOLD DOWN	1	709059
17	6256	WASHER, FLT, SS .28X1.375X.06	1	719786
18	7680	NUT, 1/4-20 SS, NYLOCK	1	719876
*19	66493-67A	EXTENSION CORD	1	709890
*20	66100-10	EXTENSION CORD 9' W/GFIC	1	760620
21	9951	CR-174 CLIP & RING	1	781989
22**	66584-12	LED FRONT LABEL	1	760754
23*	10043	CABLE TIE	8	719504
24*	6085	WASHER, 5/16 LOCK (Used with Item 13A)	12/16	781621

* NOT SHOWN

****NOTES:**

1. See Service Bulletin SB11-004 if replacing a non-led charger.
2. LED & label position will be located adjacent to the charger receptacle

DELTA Q CHARGER WITH REMOTE LED – EU



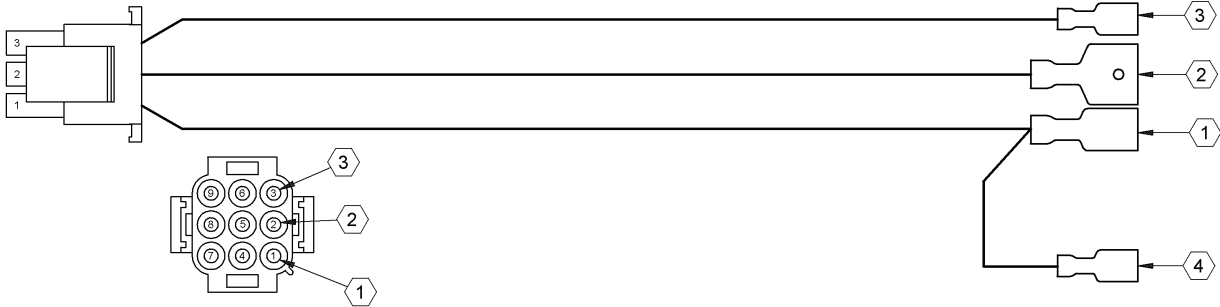
**LED & LABEL POSITION WILL BE LOCATED
ADJACENT TO THE CHARGER AC RECEPTACLE**

ITEM	CPC P/N	DESCRIPTION	QTY	SEATS P/N
1	9951	CR-174 CLIP & RING	1	781989
2	66584-12	LED FRONT LABEL	1	760754
3	66501-12	CHARGER, DELTA Q 36V W/LED, STANDARD	1	760743
3A	66583-12	CHARGER, DELTA Q 48V W/LED, STANDARD	1	760742
3B	66582-12	CHARGER, DELTA Q 48V W/LED, AGM	1	467839
4	66034-02	PLUG, POWER INLET 120V SEALED	1	709558
5	66493-03	CHARGER CORD 6'	1	719264
6	66029-12	LED 25' CABLE	1	760817
N/A	70036-05	ASSEMBLY, CORD W/ RECEPTACLE (Includes Item 4 & 5)	1	467405

NOTE: SEE SERVICE BULLETIN SB11-004 IF REPLACING A NON-LED CHARGER.

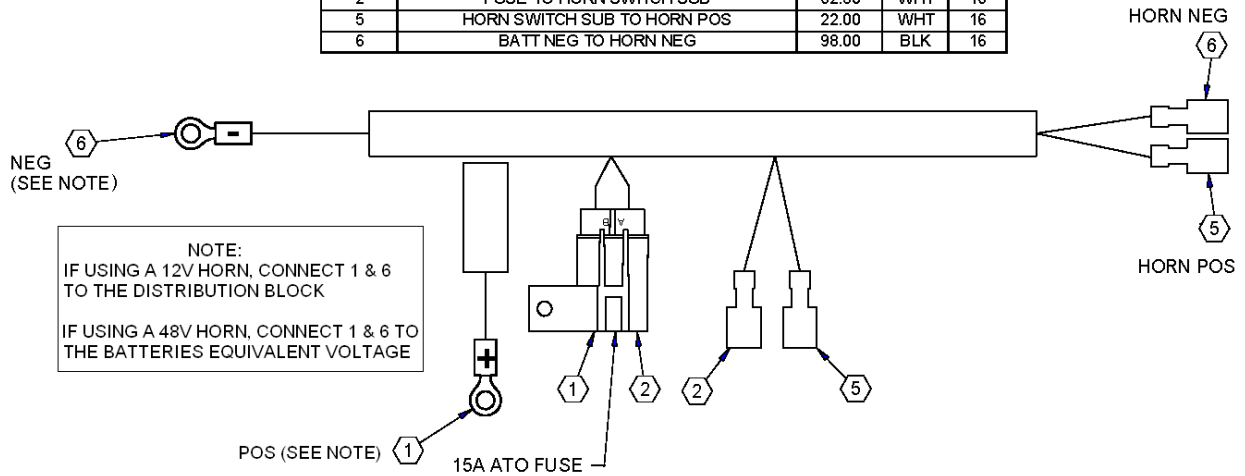
HARNESS, POT BOX ADAPTER -EU P/N 71001-10

CIRCUIT NO.	DESCRIPTION	WIRE LENGTH*	WIRE COLOR	WIRE GAGE
1	CONNECTS TO POT LEAD BLACK	8.00	BLK	16
2	CONNECTS TO POT LEAD WHITE	8.00	GRN	16
3	CONNECTS TO PEDAL SWITCH	8.00	WHT	16
4	CONNECTS TO PEDAL SWITCH	4.00	BLK	16



HORN HARNESS - EU P/N 69005-00

CIRCUIT NO.	DESCRIPTION	WIRE LENGTH*	WIRE COLOR	WIRE GAGE
1	BATT POS TO FUSE	35.50	WHT	16
2	FUSE TO HORN SWITCH SUB	62.50	WHT	16
5	HORN SWITCH SUB TO HORN POS	22.00	WHT	16
6	BATT NEG TO HORN NEG	98.00	BLK	16



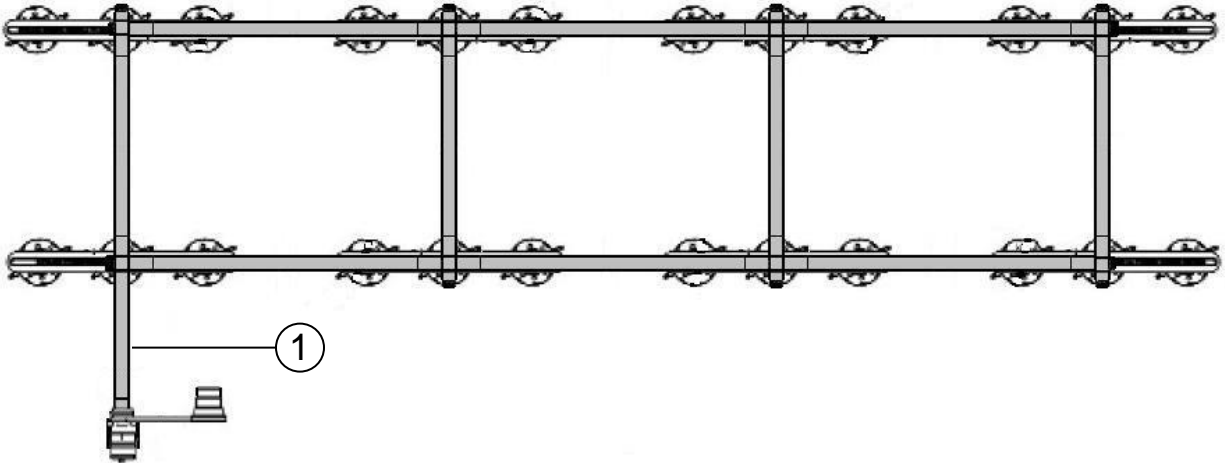
UTILITRUCK Parts Manual

Section 6

Accessories

BATTERY WATERING SYSTEM - EU

ITEM	CPC P/N	DESCRIPTION	QTY	SEATS P/N
1	66210-07	WATERING ASSEMBLY	1	759857
2	66211-07	PUMP	1	759858

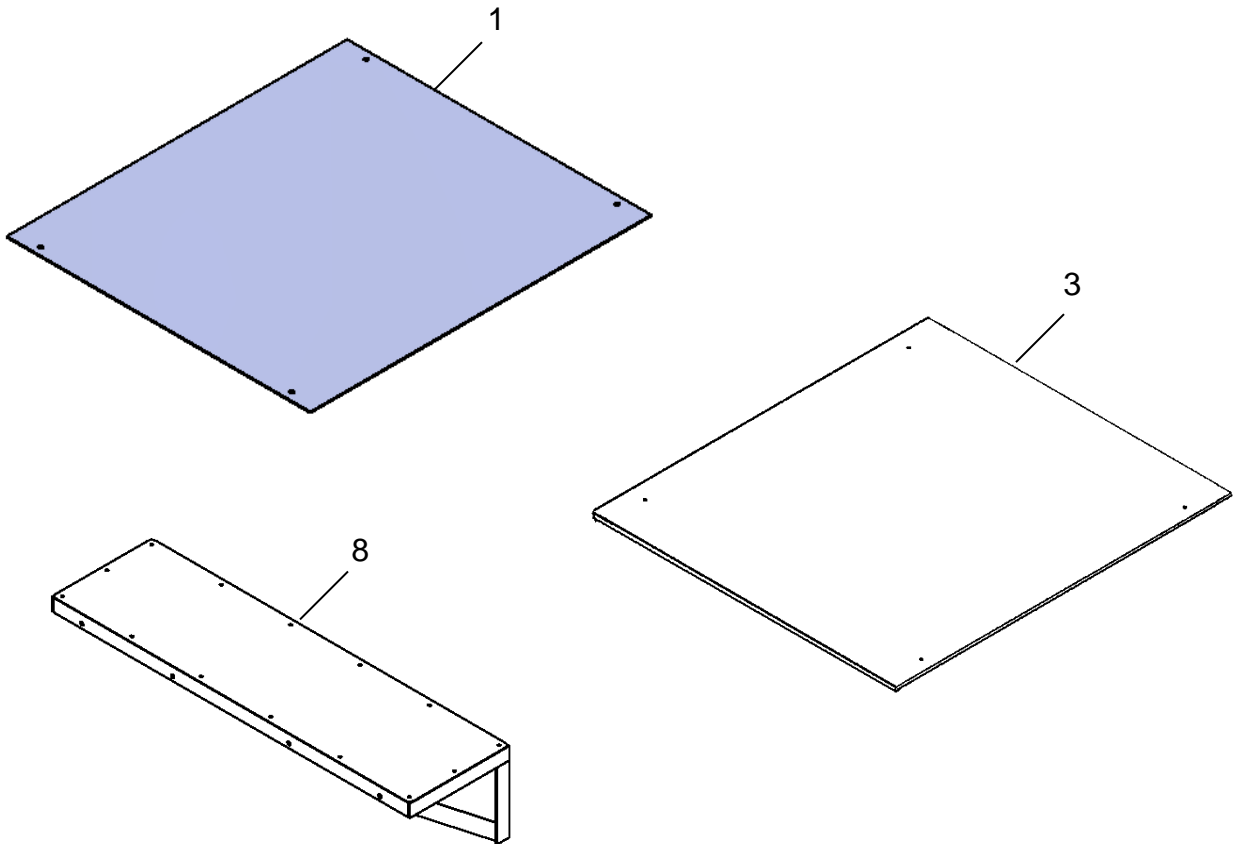


DECKS/BED EXTENSION - EU

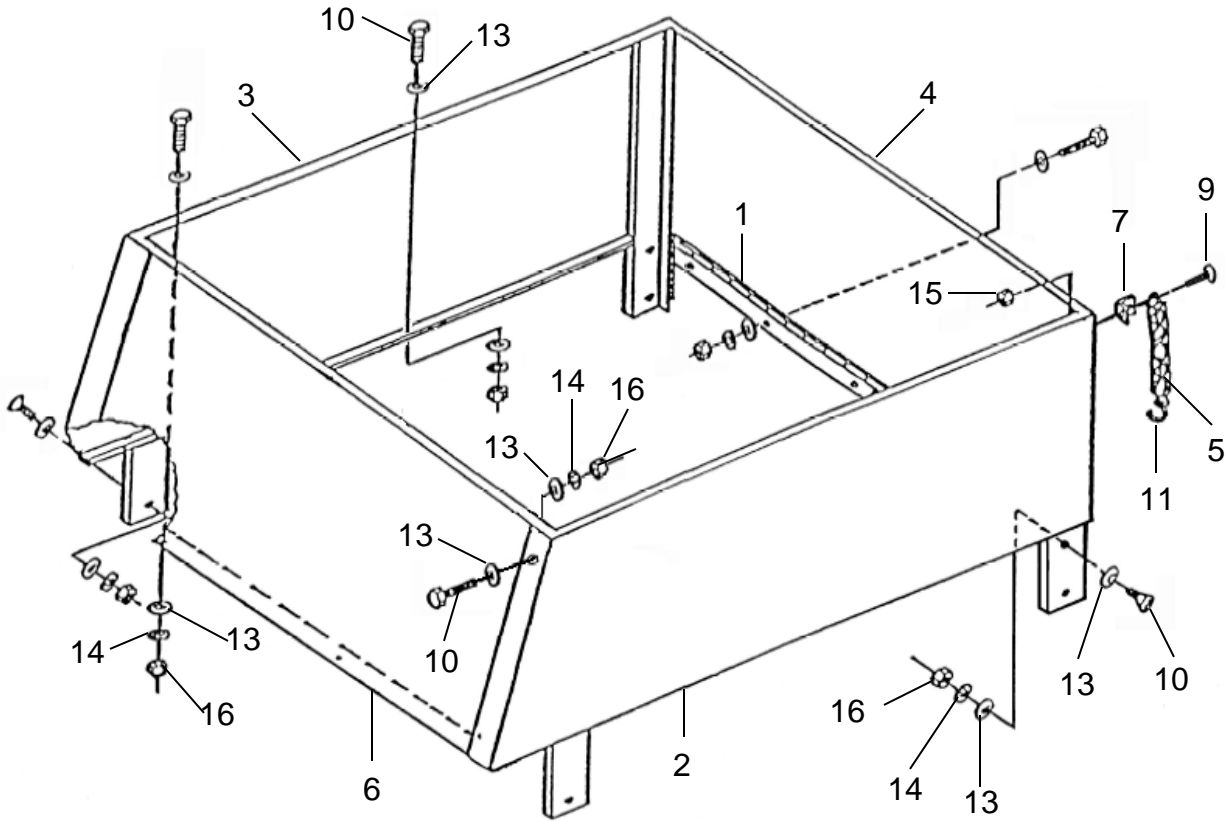
ITEM	CPC P/N	DESCRIPTION	QTY	SEATS P/N
1	50242-92	ALUMINUM DECK PLATE EU-S (Uses Items 5-7)	1	512636
2*	50606-93	ALUMINUM DECK PLATE EU-L (Uses Items 5-7)	1	512637
3	**	STEEL DECK EU-S (Uses Items 5-7)	1	510073
4*	50606-04	STEEL DECK EU-L (Uses Items 5-7)	2	510533
*4	707317	PUSHNUT 5/16, BLK	4/8	707317
*5A	49713-08	FOAM TAPE, 1/8"TX1"WX EU-L	25"	709783
*5B	49713-08	FOAM TAPE, 1/8"TX1"WX EU-S	16"	709783
*5C	49713-08	FOAM TAPE, 1/8"TX1"WX STEEL EU-L	10.6"	709783
*6	11735	NUT, TINNERMAN	4/8	719537
*7	2600	SCREW, 5/16-18X3/4	4/8	781738
8	**	BED EXTENSION (Uses Items 9 – 11)	1	307707
9*	3987-BS	SCREW, 5/16-18X3/4 HHC G5	8	719642
10*	6702-B	WASHER 5/16	8	719810
11*	7525	NUT, 5/16-18 SERR FLANGE LOCK	8	719864
N/A	90801-00	Kit, BED EXTENSION (Includes Items 8 – 11)	1	190917U

* NOT SHOWN

** SPECIAL ORDER



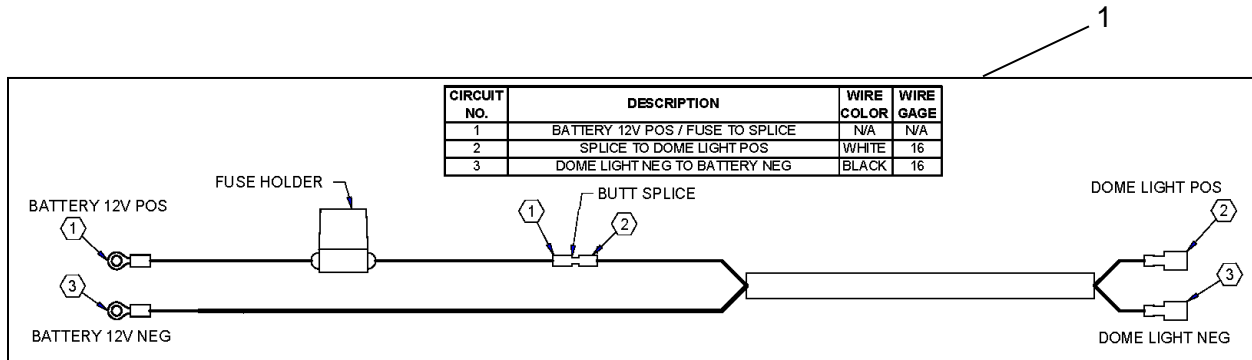
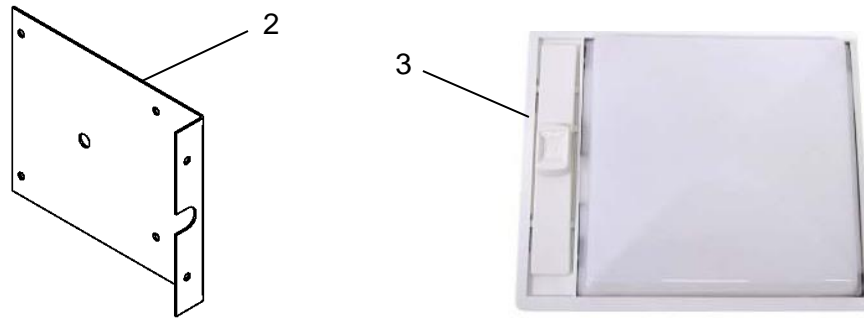
STEEL BOX WITH TAILGATE – EU Kits no longer available



ITEM	CPC P/N	DESCRIPTION	QTY	SEATS P/N
1	52953-92A	HINGE	1	303246
2	50262-92	PANEL LH - S	1	462730
2A*	50264-93	PANEL LH - L	1	462735
3	50263-92	PANEL RH - S	1	462732
3A*	50265-93	PANEL RH - L	1	462739
4	50272-92	TAIL GATE	1	462763
5	50299-83	TAILGATE CHAIN	2	462774
6	50273-92	PANEL, FRONT	1	467158
7	50292-83	LATCH BRACKET	4	509252
8*	53018-89	CAUTION LABEL	1	709283
9	2665	SCREW, 10-24X5/8 PPH	8	719584
10	3987-BS	SCREW, 5/16-18X3/4 HHC G5	24/26	719642
11	50297-83	S HOOK	2	719719
12*	50298-83	TUBING (Used with Item 5)	2	719720
13	6702-B	WASHER, 5/16	48/52	719810
14	7041-B	WASHER 5/16 LOCK	24/26	719838
15	7624	NUT, 10-24 NYLOCK	8	719870
16	7748-B	NUT, 5/15-18 HEX	24/26	719896
N/A	15150-92	KIT, SHORT STEEL BOX NO LONGER AVAILABLE	1	190909U
N/A	15350-93	KIT, LONG STEEL BOX NO LONGER AVAILABLE	1	190910U

* NOT SHOWN

DOME LIGHT - EU

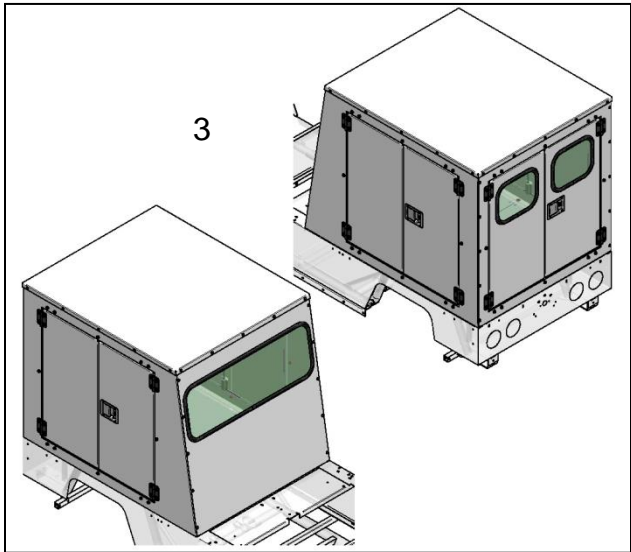
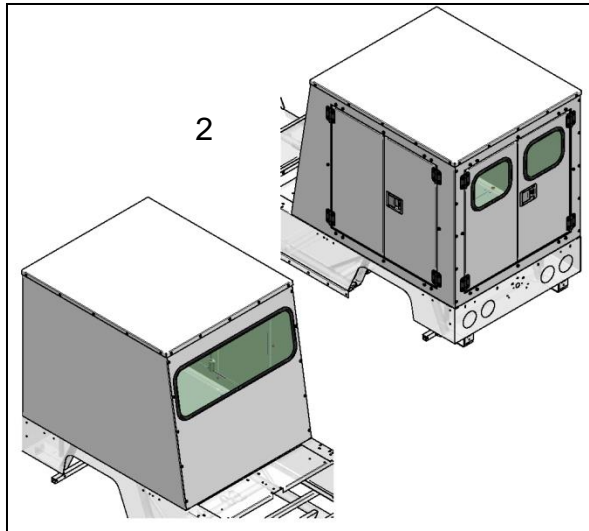
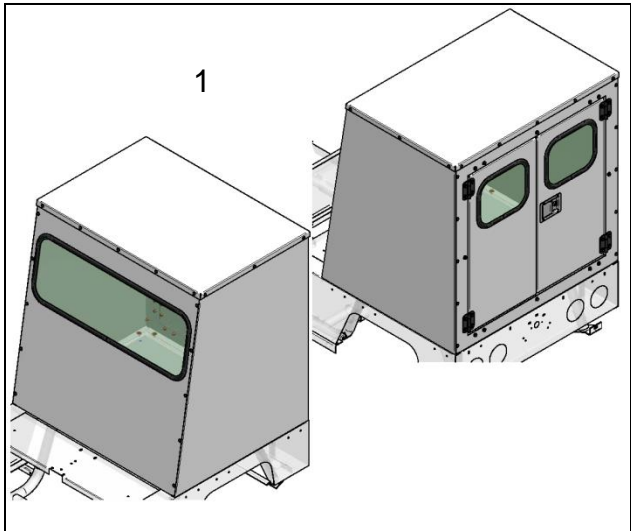


ITEM	CPC P/N	DESCRIPTION	QTY	SEATS P/N
1	**	HARNESS	1	464605
2	51150-11	MOUNTING PLATE	1	510315
3	84147-92	DOME LIGHT ASSEMBLY	1	709920
4*	10008	CABLE TIE, NATURAL	4	719501
5*	10020	CABLE TIE MOUNTING BRACKET	4	719503
6*	10043	CABLE TIE 18X11 3/4", 50 LB	2	719504
7*	11409	GROMMET .25, RUBBER	1	719520
8*	2616	SCREW, #8-32X1 PFH	4	719574
9*	2685-W	SCREW, 10-24X5/8 HWHTR	2	719586
10*	6716	WASHER, #10 SAE	2	719812
11*	7609-W	NUT, #8-32 GR A,NYLOCK	4	719868
12*	7624	NUT, 10-24 GR A, NYLOCK-	2	719870
13*	9906	TERMINAL, 16/14 INS, 1/4 MALE TAB	2	719973

* NOT SHOWN

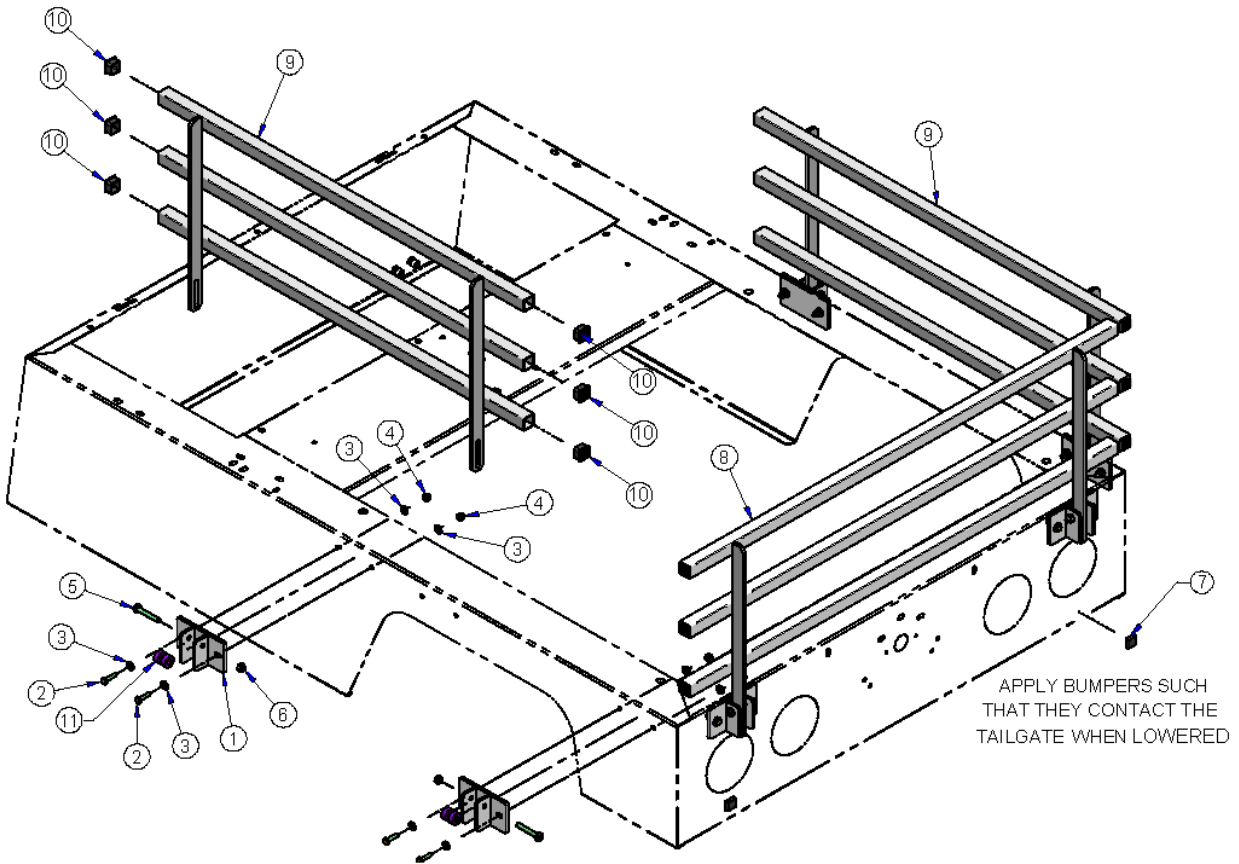
** SPECIAL ORDER

ENCLOSURES - EU



ITEM	CPC P/N	DESCRIPTION	QTY	SEATS P/N
1	90644-13	ALUM VAN REAR ENCLOSURE EU-S	1	191916U
2	90643-13	ALUM VAN REAR ENCLOSURE EU-L 2 DOOR	1	191915U
3	90645-13	ALUM VAN REAR ENCLOSURE EU-L 3 DOOR	1	191917U
4	84015-08	ALUM CAB ENCLOSURE	1	191542U
5	84251-10	WINDSHIELD WIPER KIT, ALUM CAB	1	191544U

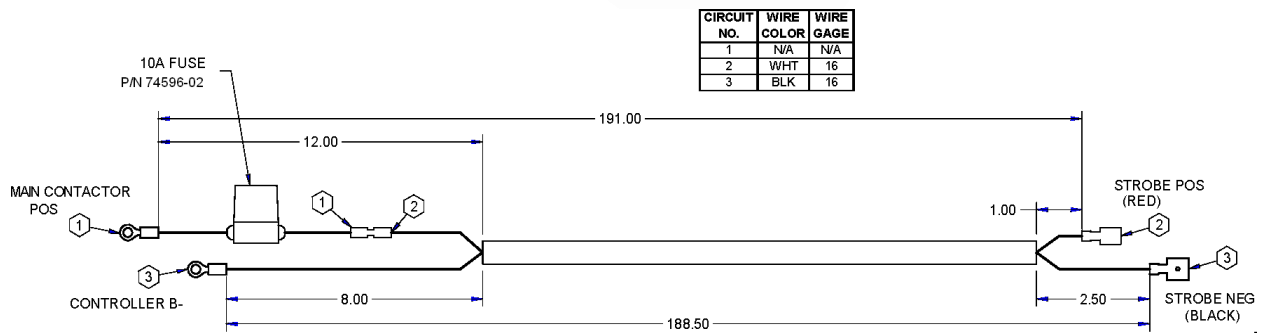
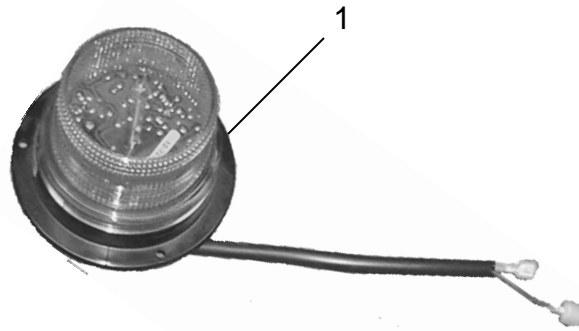
FOLDING STEEL SIDES - EU



ITEM	CPC P/N	DESCRIPTION	QTY	SEATS P/N
1	71026-04	MOUNT PLATE	6	307896
2	2551-W	SCREW, 1/4-20X1 HHC	12	719564
3	6703-B	WASHER, 1/4	24	719811
4	7686	NUT 1/4-20 NYLOCK	12	719879
5	5207-BS	SCREW, 5/16-18X2 PAN	6	719730
6	7739	NUT, 5/16-18 NYLOCK	6	719892
7	52330-86	BUMPER BLACK	2	719738
8	15156-05	TAILGATE	1	307887
9	51447-04	FOLDING SIDE UTIL-S	2	307888
9A	51448-04	FOLDING SIDE UTIL-L	2	307886
10	11433	CAPLUG	18	719526
11	5746	RAIL SPACER	12	504939B
12	15161-04	KIT, FOLDING STEEL RAILS – UTIL-S	1	190911U
12A	15162-04	KIT, FOLDING STEEL RAILS – UTIL-L	1	190912U

* SPECIAL ORDER

AMBER STROBE LIGHT CAB/SUNTOP – EU

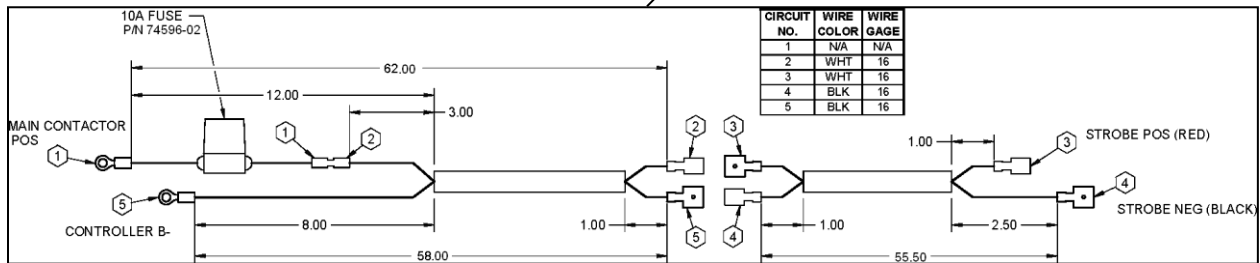
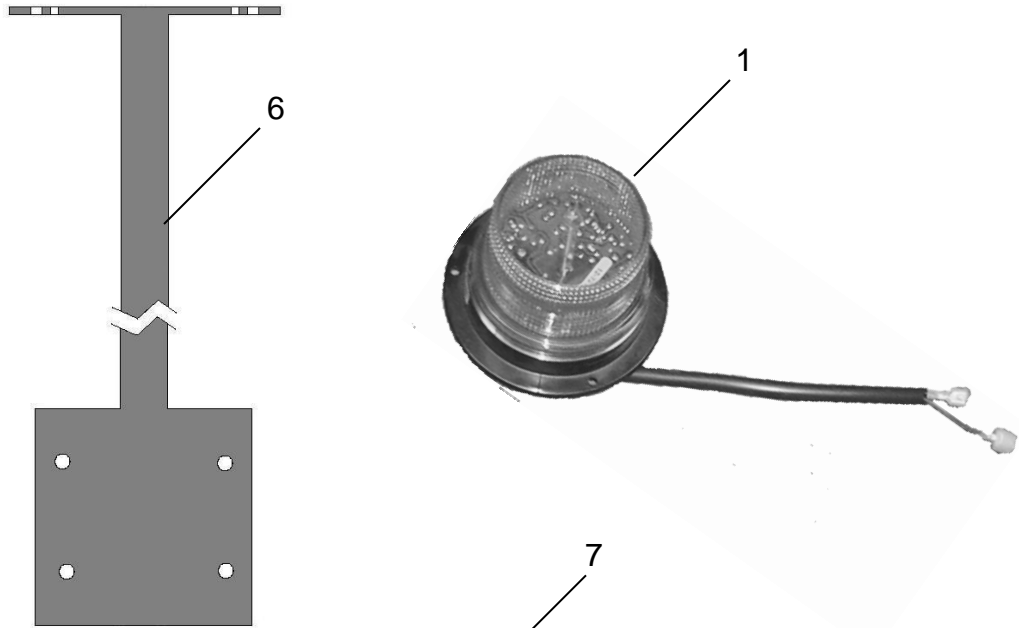


ITEM	CPC P/N	DESCRIPTION	QTY	SEATS P/N
1	68029-06	STROBE LIGHT ASSY	1	467408
2*	10043	CABLE TIE	2	719504
3*	10008	CABLE TIE 5 3/4"	2	719501
4*	10020	CABLE TIE MOUNTING BRACKET	2	719503
5	**	HARNESS, LIGHT CAB	1	467409
6*	2339	SCREW, #10-24X3/4, HH	3	719551
7*	7624	NUT, 1/4-20 NYLOCK	3	719870
8*	6716	WASHER #10	3	719812
9*	68831-97	KIT, STROBE LIGHT AMBER CAB	1	190937U

* NOT SHOWN

** SPECIAL ORDER

AMBER STROBE LIGHT W/MAST – EU



ITEM	CPC P/N	DESCRIPTION	QTY	SEATS P/N
1	68029-06	STROBE LIGHT ASSY	1	467408
2*	10008	CABLE TIE 5 3/4"	2	719501
3*	10020	CABLE TIE MOUNTING BRACKET	2	719503
4*	11416	GROMMET 3/8X7/8	1	719522
5*	2339	SCREW, #10-24X3/4, HH	3	719551
6	68504-02	LIGHT MAST(Mounts to body with Items 9 – 11)	1	306164
7	**	HARNES, LIGHT MAST	1	464040
8*	3787-B	SCREW 1/4-20X3/4 HHC	4	719636
9*	6703-B	WASHER 1/4	8	719811
10*	7692	NUT, 1/4-20 NYLOCK	4	719882
11*	7624	NUT, 10-20 NYLOCK	3	719870
12*	68847-07	KIT, STROBE LIGHT AMBER W/MAST (Includes above Items.)	1	191448U

* NOT SHOWN

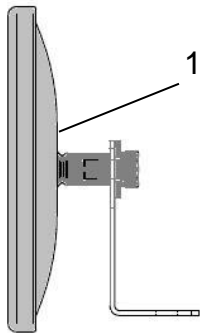
** SPECIAL ORDER

MIRRORS - EU

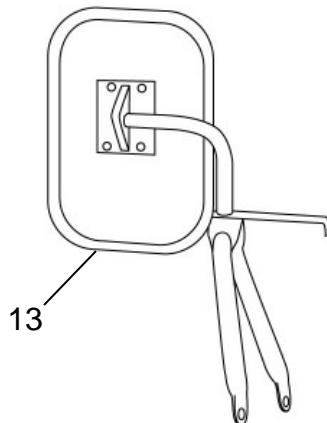
ITEM	CPC P/N	DESCRIPTION	QTY	SEATS P/N
1	91876-00	SIDE MIRROR, 5" ROUND	2	709437
2*	2818	SCREW 5/16-18X1 1/2 HHC (Use with 1 - Bench Seats)	2	719589
3*	6000-B	WASHER, 5/16 (Use with 1 - Bench & Bucket Seats)	2	719771
4*	7525	NUT 5/16 SERR. FLNG LOCK (Use with 1 - Bench Seats)	2	719864
5*	4017	SCREW, 5/16-18X1 HHC (Use with 1 -Bucket Seats)	2	708085
6*	7041-B	WASHER 5/16 LOCK (Use with 1 - Bucket Seats)	2	719838
7*	50190-86	NUT, JACK #8 (Use with 1 - Bucket Seats & 8))	2	719717
8	84270-98	5 PANEL REAR VIEW MIRROR	1	709408
9*	51001-10	MOUNTING BRACKET (Use with 8)	1	510334
10*	3787-B	SCREW 1/4-20X3/4 HHC(Use with 8)	2	719636
11*	6703-B	WASHER 1/4 (Use with 8)	2	719811
12*	7036-B	WASHER, LOCK (Use with 8)	2	719834
13	91873-96	MIRROR CAB SIDE MOUNT	1	749775
14*	3993	SCREW, 1/4-20X1 1/4 HHC	2	719644
15*	7686	NUT, 1/4-20 NYLOCK	2	719879
16	89537-96	BRACKET	1	510318
N/A	91879-05	KIT, CAB MIRROR (Includes Items 11, 13 - 16)	1	191884U
N/A	91874-10	KIT, ROUND MIRROR, PAIR BENCH SEATS (Includes Items 1 - 4)	1	190926U
N/A	**	KIT, ROUND MIRROR, PAIR BUCKET SEATS (Includes Items 1, 3, 5 - 7)	1	191227U
N/A	84288-98	KIT, 5 PANEL MIRROR – SUNTOP (Includes Items 7-12)	1	190928U

* NOT SHOWN

** SPECIAL ORDER

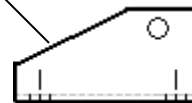


8

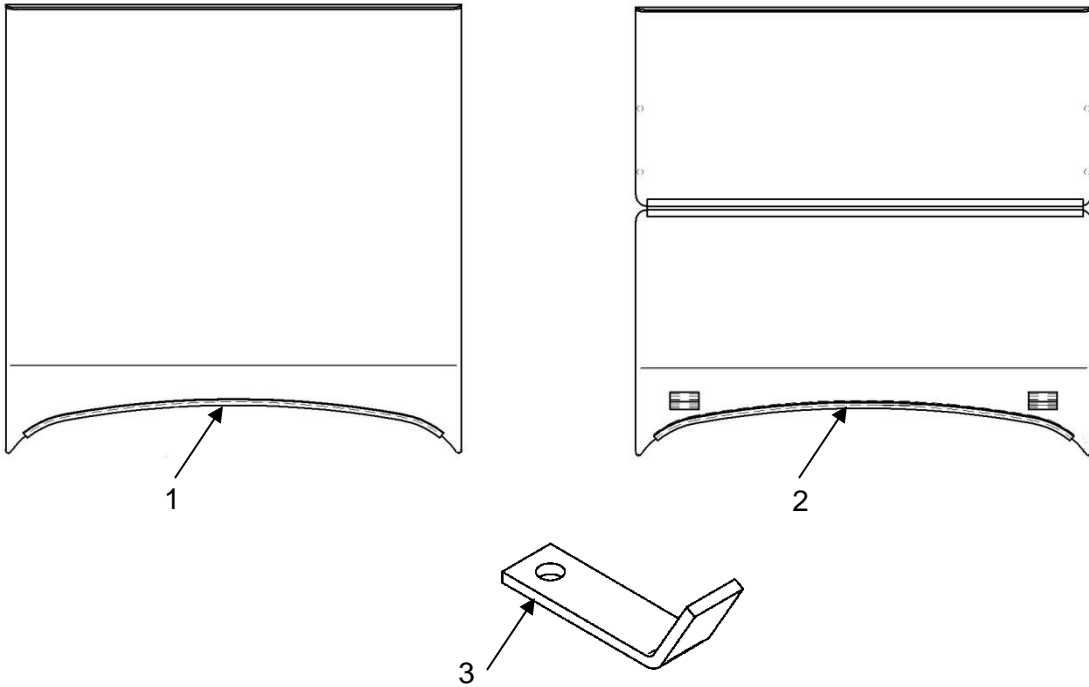


13

16



WINDSHIELDS -EU



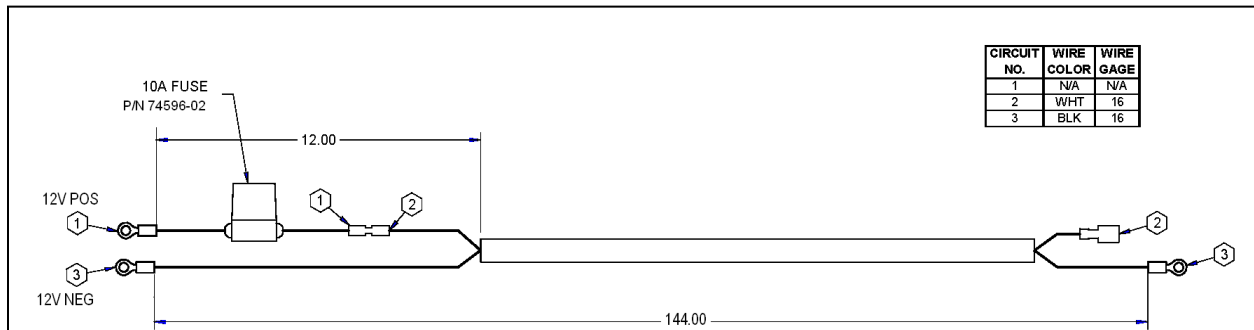
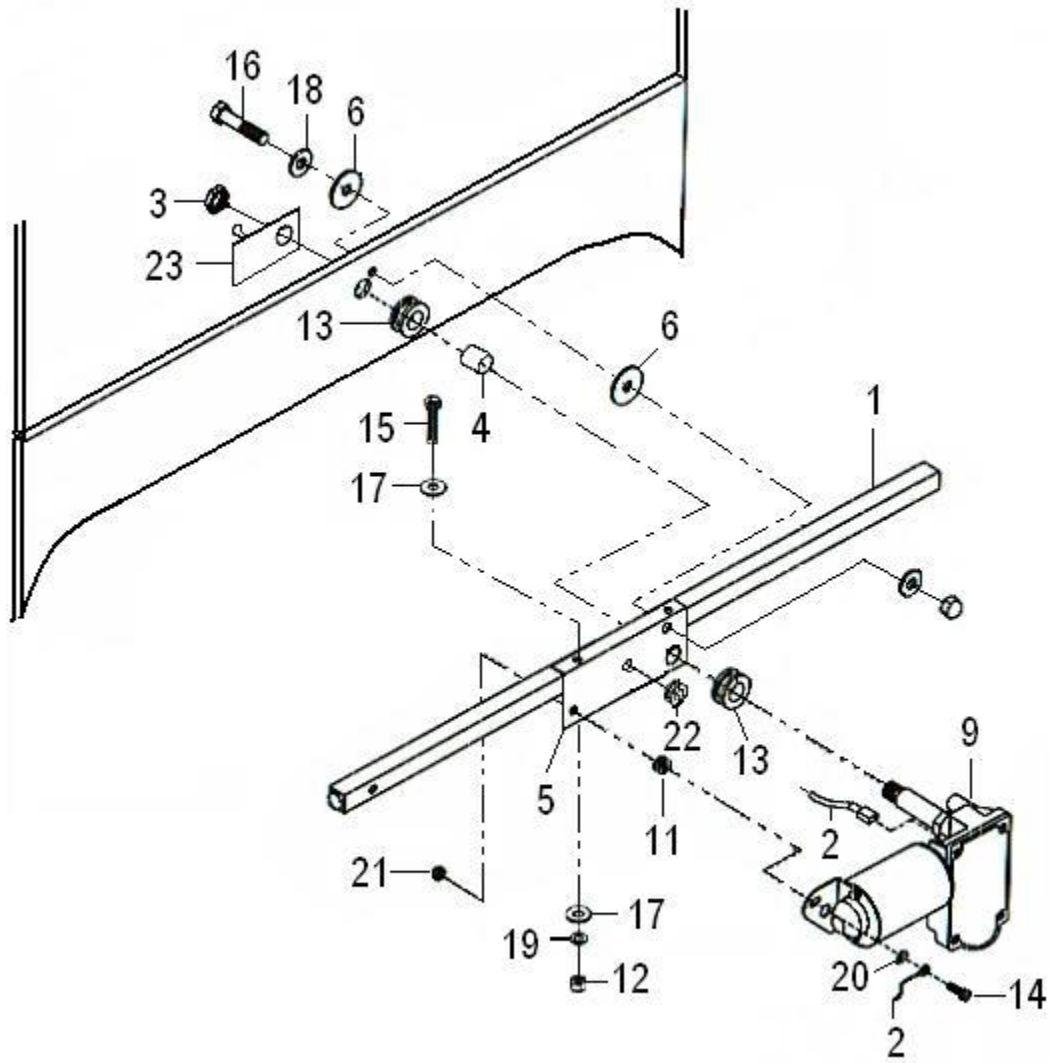
ITEM	CPC P/N	DESCRIPTION	QTY	SEATS P/N
1	58019-12	WINDSHIELD, HARDCOAT 40" (See Note)	1	760814
1A	58018-98	WINDSHIELD, ACRYLIC 40" (See Note)	1	709422
1B	**	WINDSHIELD, HARDCOAT 40" FOR WIPER (See Note)	1	467881
2	58028-98	WINDSHIELD, FOLDING, TINTED (See Note)	1	709359
3	42530-98	BRACKET	1	510343
4*	52330-86	BUMPER	5	719738
5*	8675	RIVET	1	719944
6	58038-98	KIT, WINDSHIELD, HARDCOAT 40" (Includes Items 1, 3, 4, 5 & 6) (See Note)	1	190794U
7	58020-98	KIT, WINDOWSHIELD, ACRYLIC 40" (Includes Items 1A, 3, 4, 5 & 6) (See Note)	1	190793U
8	58052-98	KIT, WINDSHIELD, FOLDING, TINTED (Includes Items 2, 3, 4, & 5) (See Note)	1	191080U

* NOT SHOWN

** SPECIAL ORDER

NOTE: Items cannot be shipped UPS. Ship via freight or local pickup.

WINDSHIELD WIPER - EU

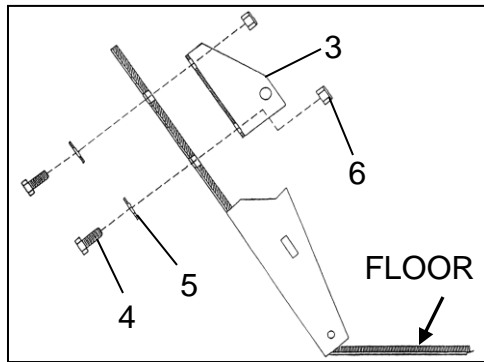
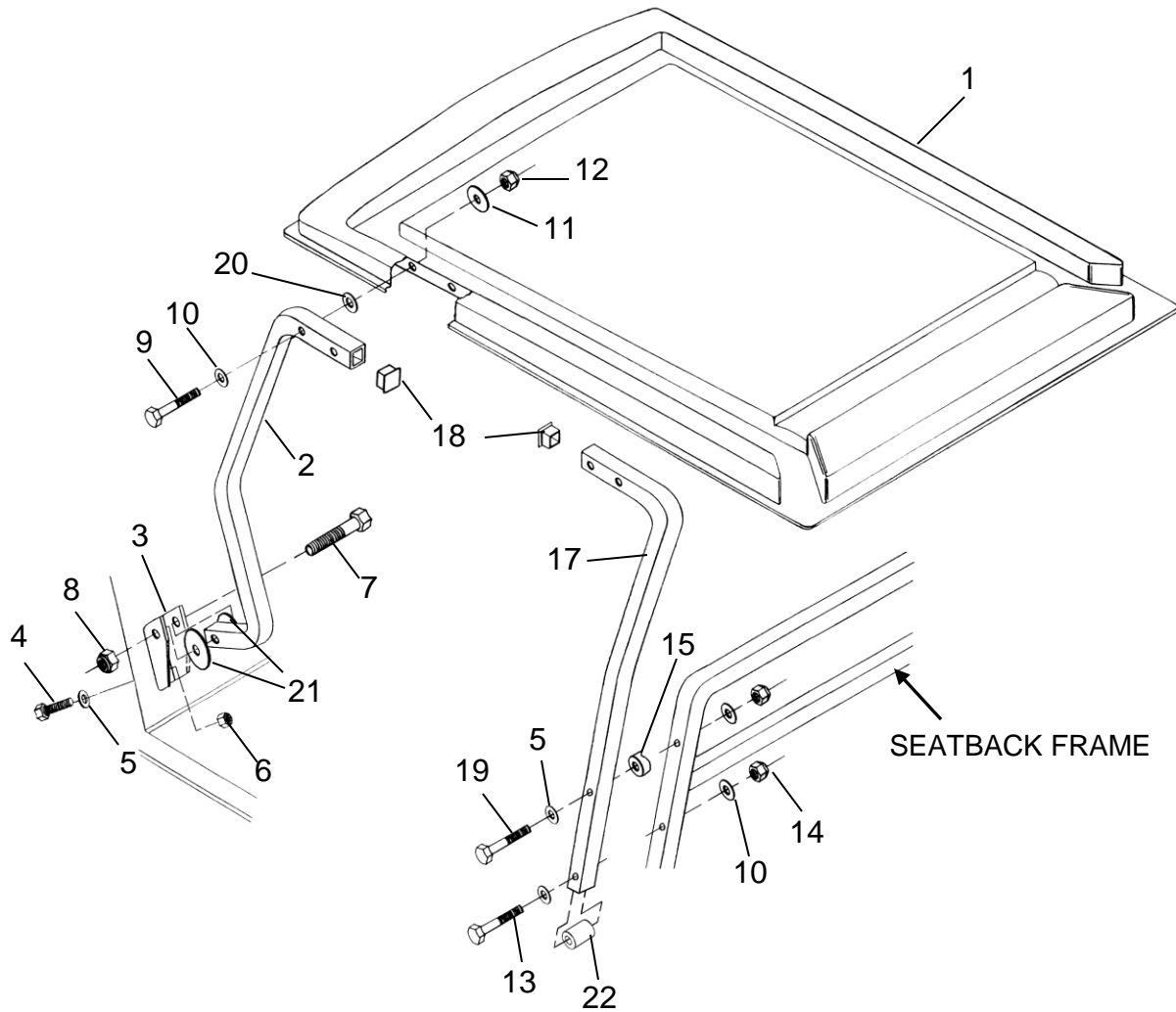


WINDSHIELD WIPER EU Cont.

ITEM	CPC P/N	DESCRIPTION	QTY	SEATS P/N
1	57974-02	WIPER BAR	1	307119
2	84118-96	MOTOR WIPER WIRING HARNESS	1	464578
3	7735-B	CROWN NUT, 3/8-16 (Supplied with Item 9)	1	719891
4	5712	WIPER SPACER	1	508993
5	84117-92A	MOTOR MOUNTING BRACKET	1	510271
6	89470-74	WASHER, NEOPRENE	2	709003
7*	84168-01	WIPER ARM	1	709268
8*	84169-01	18" WIPER BLADE	1	709269
9	84111-92	WIPER MOTOR	1	709592
10*	10043	CABLE TIES 11 3/4"	9	719504
11	11409	RUBBER GROMMET	1	719520
12	7748-B	NUT, HEX, BLK	2	719896
13	11446	RUBBER GROMMET	2	719529
14	2665	SCREW, 10-24X5/8" PH	1	719584
15	2818	SCREW, 5/16-18X1 1/2"	4	781924
16	3775	SCREW, 3/8-16X2" HC	1	719634
17	6000-B	WASHER, FLAT 5/16"	6	719771
18	6416	WASHER, FLAT 3/8"	2	719796
19	7041-B	LOCK WASHER 5/16"	4	719838
20	7220	LOCK WASHER, ITEM # 10 EXTERNAL TOOTH	1	719851
21	7624	NYLOCK NUT 10-24	1	719870
22	11416	3/8X7/8 GROMMET	1	719522
23	N/A	BRACKET (Supplied with Item 7)	1	N/A
24	N/A	INSTRUCTION SHEET	1	712061
N/A	84167-01	KIT, WINDSHIELD WIPER (Includes above items)	1	190809U

* NOT SHOWN

RAINDRAIN SUNTOP, BENCH - EU

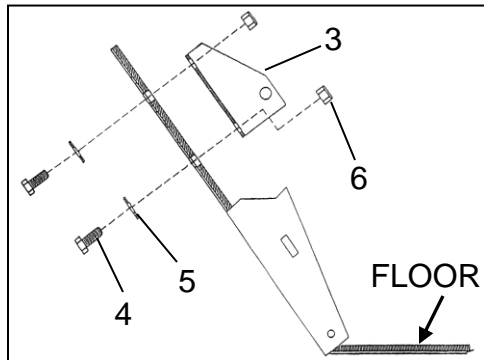
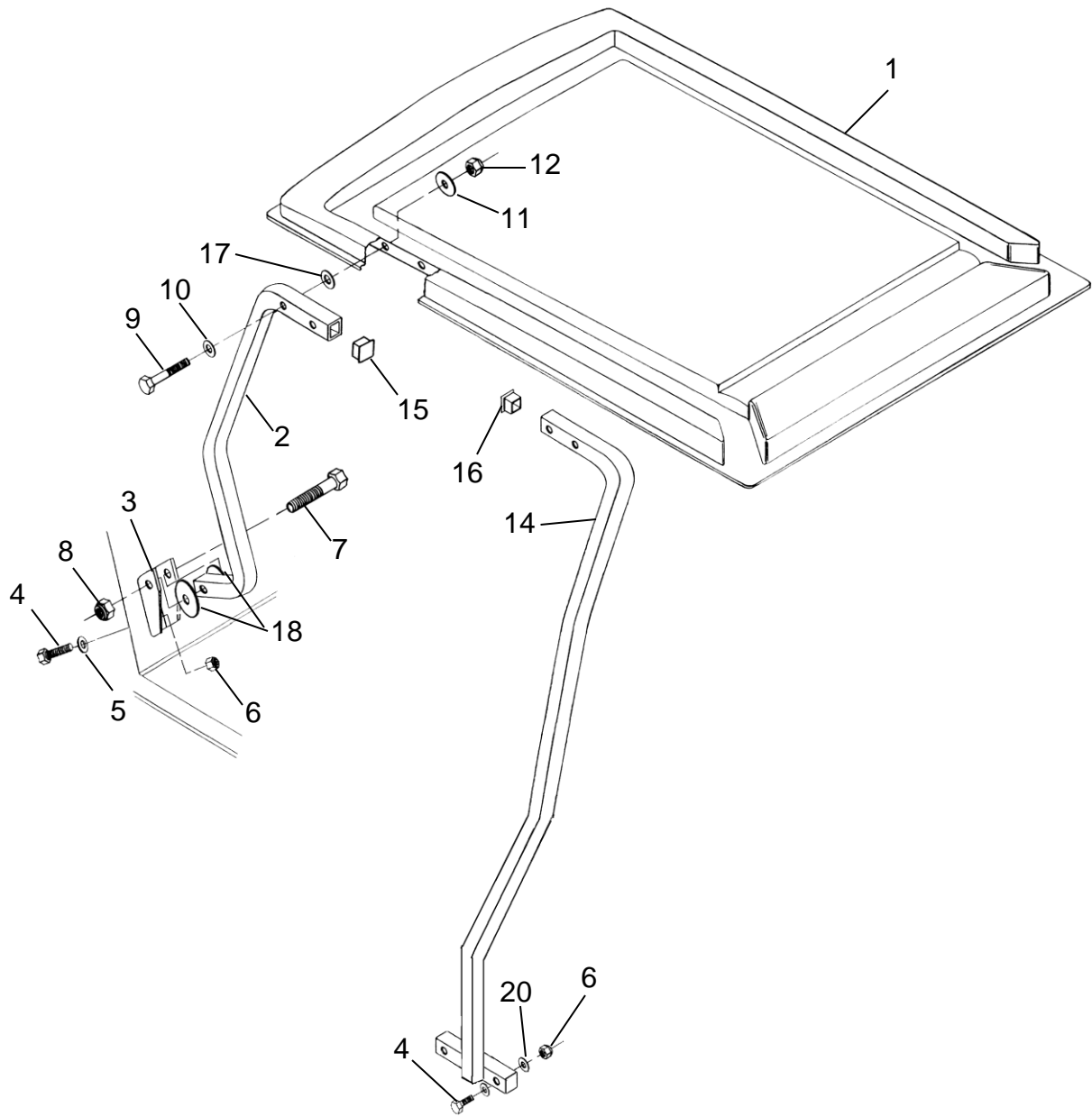


RAINDRAIN SUNTOP, BENCH - EU Cont.

ITEM	CPC P/N	DESCRIPTION	QTY	SEATS P/N
1	84154-98	RAINDRAIN SUNTOP SHELL BIRCH	1	464611
2	89406-98	FRONT SUNTOP SUPPORT	2	510333
3	89537-96	SUNTOP TUBE BRACKET	2	510318
4	3991	SCREW 5/16-18 X 7/8" HEX	4	719643
5	6000-B	WASHER, 1/4 W, PLAIN	8	719771
6	7739	LOCKNUT. 5/16-18 NYLOK	4	719892
7	4720-B	SCREW, 3/8-16 X 3/4" BLACK	2	719696
8	7778	LOCKNUT. 3/8-16 NYLOK	2	719902
9	3454-BS	SCREW, 1/4-20 X 1 3/4" HEX	8	719623
10	6703-B	WASHER, 1/4 N-PLAIN	12	719811
11	6257-W	WASHER. 1/4 FENDER	8	719787
12	7742	LOCKNUT, 1/4-20, 3 WAY CROWN	8	719894
13	3860-B	SCREW, HEX CAP 1/4-20X2 1/2"	2	719637
14	7692	LOCKNUT. 1/4-20 NYLOK	4	719882
15	5717	COVER SPACER, PLASTIC	2	719762
16*	89403-96	REAR SUNTOP TUBE SUPPORT (RH)	1	510331
17	89400-96	REAR SUNTOP TUBE SUPPORT (LH)	1	510332
18	11433	PLUG FINISH, 7/8"	4	719526
19	3770	SCREW, HEX CAP 1/4-20X2 3/4"	2	719633
20	89470-74	WASHER, RUBBER	8	709003
21	6346	WASHER, NYLON	4	719791
22	5713	SPACER, .3/8 ID X 27/32 LONG	2	510322
N/A	89550-96A	KIT, UTILITRUCK BIRCH, RAINDRAIN BENCH	1	190918U

* NOT SHOWN

RAINDRAIN SUNTOP, BUCKET - EU



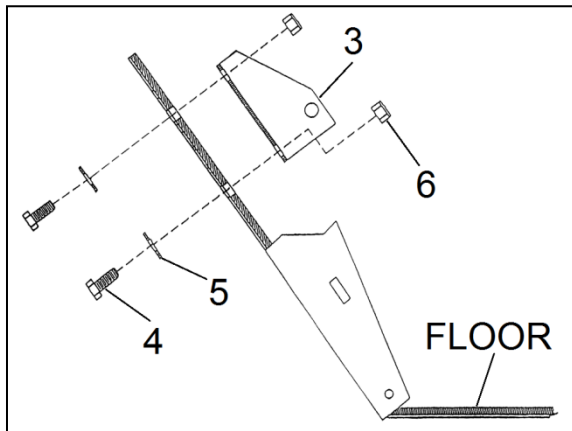
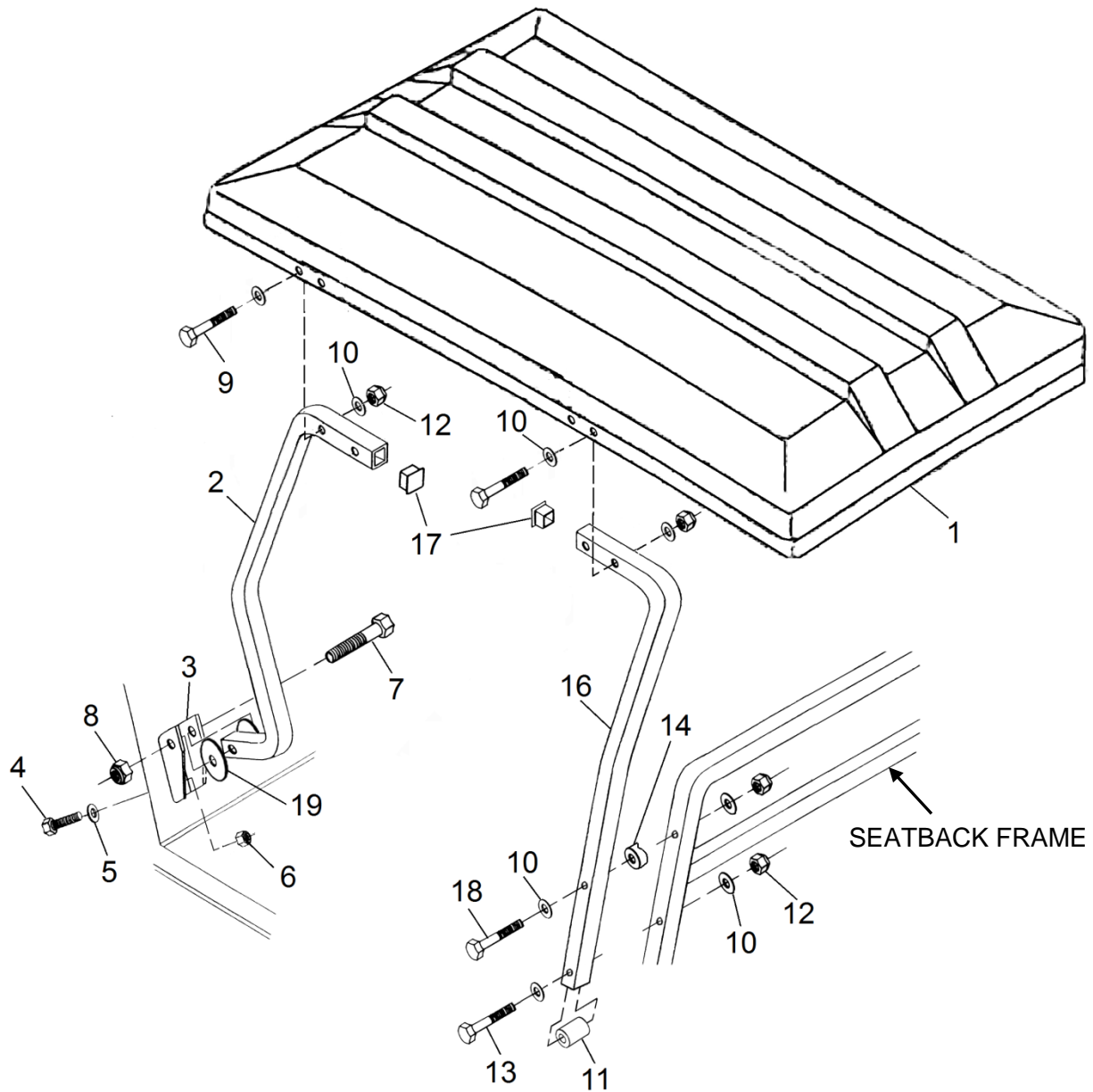
RAINDRAIN SUNTOP, BUCKET - EU Cont.

ITEM	CPC P/N	DESCRIPTION	QTY	SEATS P/N
1	84154-98	RAINDRAIN SUNTOP SHELL BIRCH	1	464611
1A	89002-99	RAINDRAIN SUNTOP SHELL BRIGHT	1	464764
2	89406-98	FRONT SUNTOP SUPPORT	2	510333
3	89537-96	SUNTOP TUBE BRACKET	2	510318
4	3991	SCREW 5/16-18 X 7/8" HEX	8	719643
5	6000-B	WASHER, 1/4 W, PLAIN	4	719771
6	7739	LOCKNUT. 5/16-18 NYLOK	8	719892
7	4720-B	SCREW, 3/8-16 X 3/4" BLACK	2	719696
8	7778	LOCKNUT. 3/8-16 NYLOK	2	719902
9	3454-BS	SCREW, 1/4-20 X 1 3/4" HEX	8	719623
10	6703-B	WASHER, 1/4 N-PLAIN	8	719811
11	6257-W	WASHER. 1/4 FENDER	8	719787
12	7742	LOCKNUT, 1/4-20, 3 WAY CROWN	8	719894
13*	89403-96	REAR SUNTOP BRACKET (RH)	1	467519
14	89400-96	REAR SUNTOP BRACKET (LH)	1	467518
15	11433	PLUG FINISH, 7/8"	2	719526
16	11432	PLUG FINISH, 3/4	2	719525
17	89470-74	WASHER, RUBBER	8	709003
18	6346	WASHER, NYLON	4	719791
19*	52330-86	BUMPER, BLACK (See Note)	2	719738
20	6702-B	WASHER, 5/16	8	719810
N/A	89551-07	KIT, UTILITRUCK BIRCH, RAINDRAIN BUCKET	1	191443U
N/A	89553-07	KIT, UTILITRUCK BRIGHT, RAINDRAIN BUCKET	1	191444U

* NOT SHOWN

Note: Place on rear support tubes to prevent contact with vehicle body.

80" SUNTOP, BENCH - EU

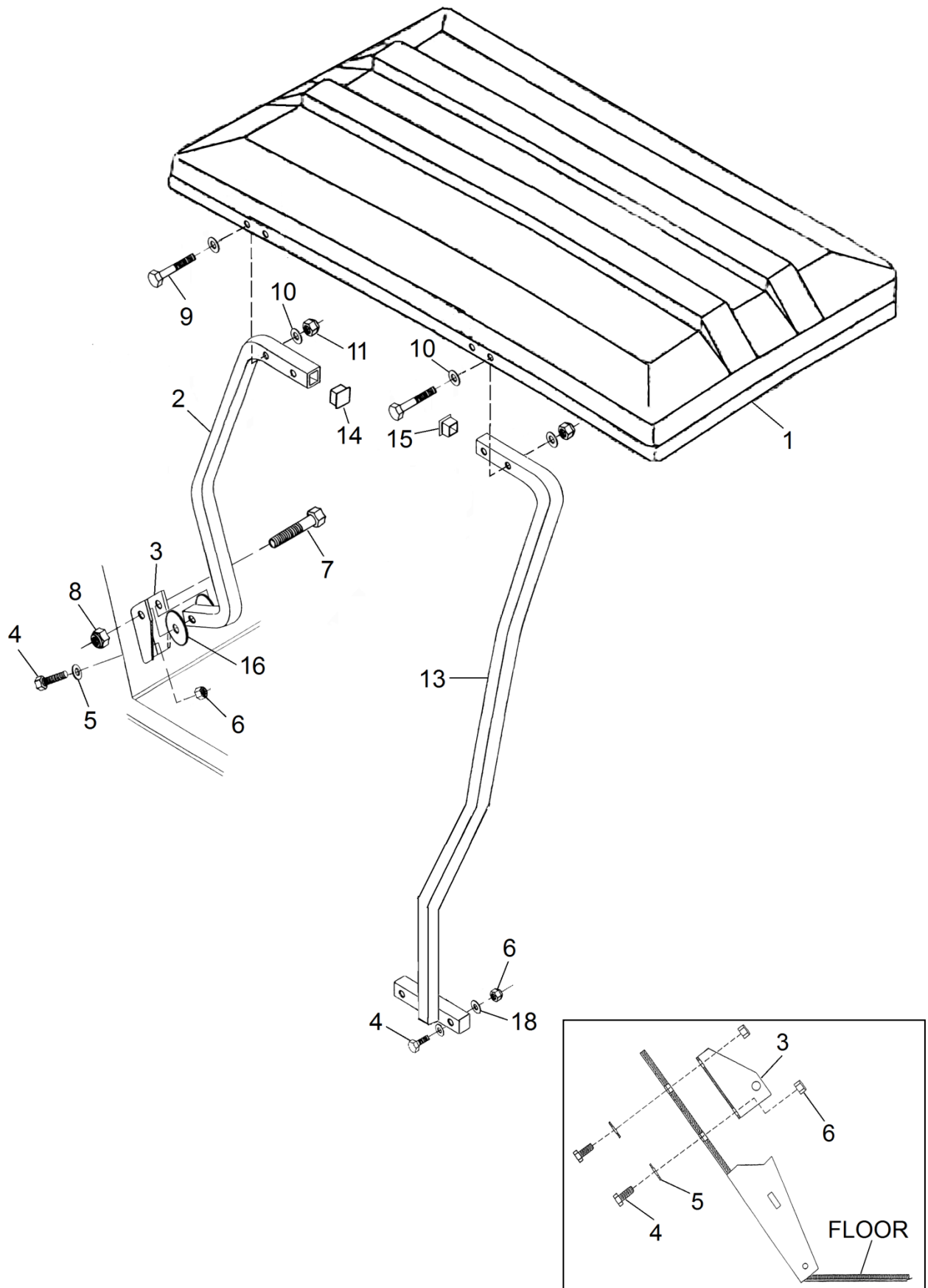


80" SUNTOP, BENCH - EU Cont.

ITEM	CPC P/N	DESCRIPTION	QTY	SEATS P/N
1	89546-98	80" SUNTOP SHELL BIRCH	1	464961
2	89406-98	FRONT SUNTOP SUPPORT	2	510333
3	89537-96	SUNTOP TUBE BRACKET	2	510318
4	3991	SCREW 5/16-18 X 7/8" HEX	4	719643
5	6000-B	WASHER, 1/4 W, PLAIN	4	719771
6	7739	LOCKNUT. 5/16-18 NYLOK	4	719892
7	4720-B	SCREW, 3/8-16 X 3/4" BLACK	2	719696
8	7778	LOCKNUT. 3/8-16 NYLOK	2	719902
9	3768	SCREW, 1/4-20 X 2 1/2HEX	8	719631
10	6703-B	WASHER, 1/4 N-PLAIN	16	719811
11	5713	SPACER, .3/8 ID X 27/32 LONG	2	510322
12	7692	NUT, 1/4-20 NYLOCK	8	719882
13	3860-B	SCREW, HEX CAP 1/4-20X2 1/2"	2	719637
14	5717	COVER SPACER, PLASTIC	2	719762
15*	89403-96	REAR SUNTOP TUBE SUPPORT (RH)	1	510331
16	89400-96	REAR SUNTOP TUBE SUPPORT (LH)	1	510332
17	11433	PLUG FINISH, 7/8"	4	719526
18	3770	SCREW, HEX CAP 1/4-20X2 3/4"	2	719633
19	6346	WASHER, NYLON	4	719791
N/A	89584-96A	KIT, UTILITRUCK BIRCH, 80" SUNTOP BENCH	1	190920U

* NOT SHOWN

80" SUNTOP, BUCKET - EU



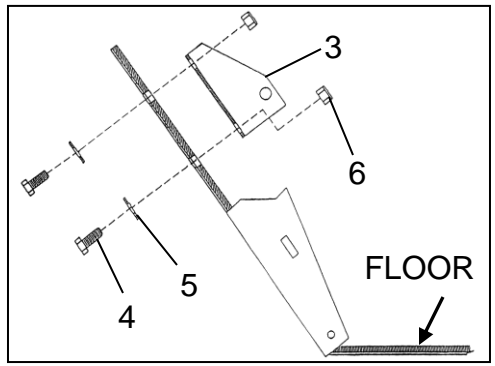
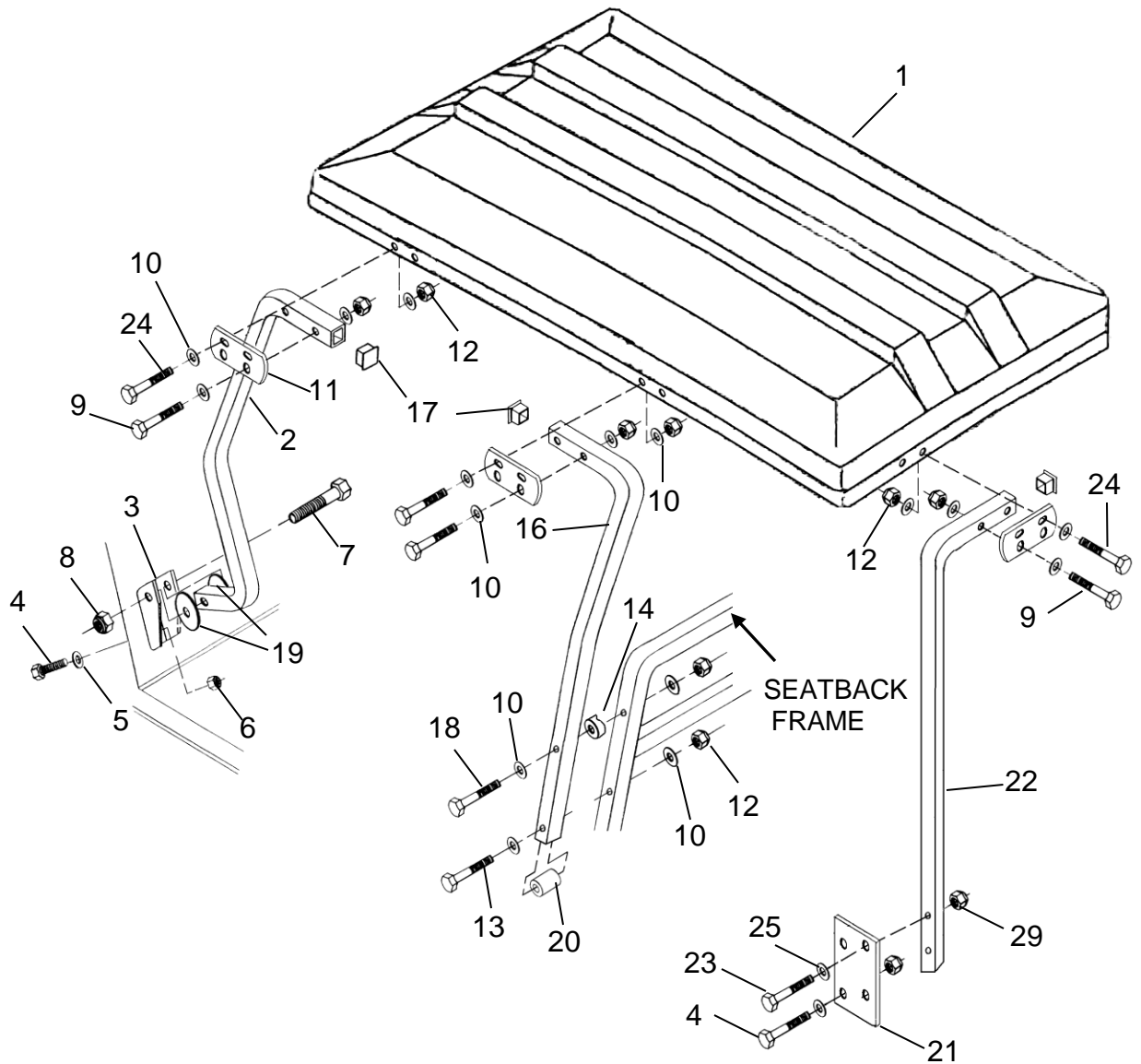
80" SUNTOP, BUCKET - EU Cont.

ITEM	CPC P/N	DESCRIPTION	QTY	SEATS P/N
1	89546-98	80" SUNTOP SHELL BIRCH	1	464961
1A	89546-98W	80" SUNTOP SHELL BRIGHT	1	467045
2	89406-98	FRONT SUNTOP SUPPORT	2	510333
3	89537-96	SUNTOP TUBE BRACKET	2	510318
4	3991	SCREW 5/16-18 X 7/8" HEX	8	719643
5	6000-B	WASHER, 5/16 W, PLAIN	4	719771
6	7739	LOCKNUT. 5/16-18 NYLOK	8	719892
7	4720-B	SCREW, 3/8-16 X 3/4" BLACK	2	719696
8	7778	LOCKNUT. 3/8-16 NYLOK	2	719902
9	3768	SCREW, 1/4-20X2 1/2 HHC G5	8	719631
10	6703-B	WASHER, 1/4 N-PLAIN	16	719811
11	7692	NUT, 1/4-20 NYLOCK	8	719882
12*	89403-96	REAR SUNTOP BRACKET (RH)	1	467519
13	89400-96	REAR SUNTOP BRACKET (LH)	1	467518
14	11433	PLUG FINISH, 7/8"	2	719526
15	11432	PLUG FINISH, 3/4	2	719525
16	6346	WASHER, NYLON	4	719791
17*	52330-86	BUMPER, BLACK (See Note)	2	719738
18	6702-B	WASHER, 5/16	8	719810
N/A	89555-07	KIT, UTILITRUCK BIRCH, 80" BUCKET	1	191445U
N/A	89556-07	KIT, UTILITRUCK BRIGHT, 80" BUCKET	1	191446U

* NOT SHOWN

Note: Place on rear support tubes to prevent contact with vehicle body.

115" SUNTOP, BENCH - EU

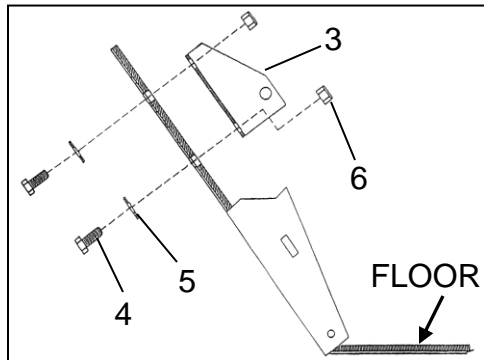
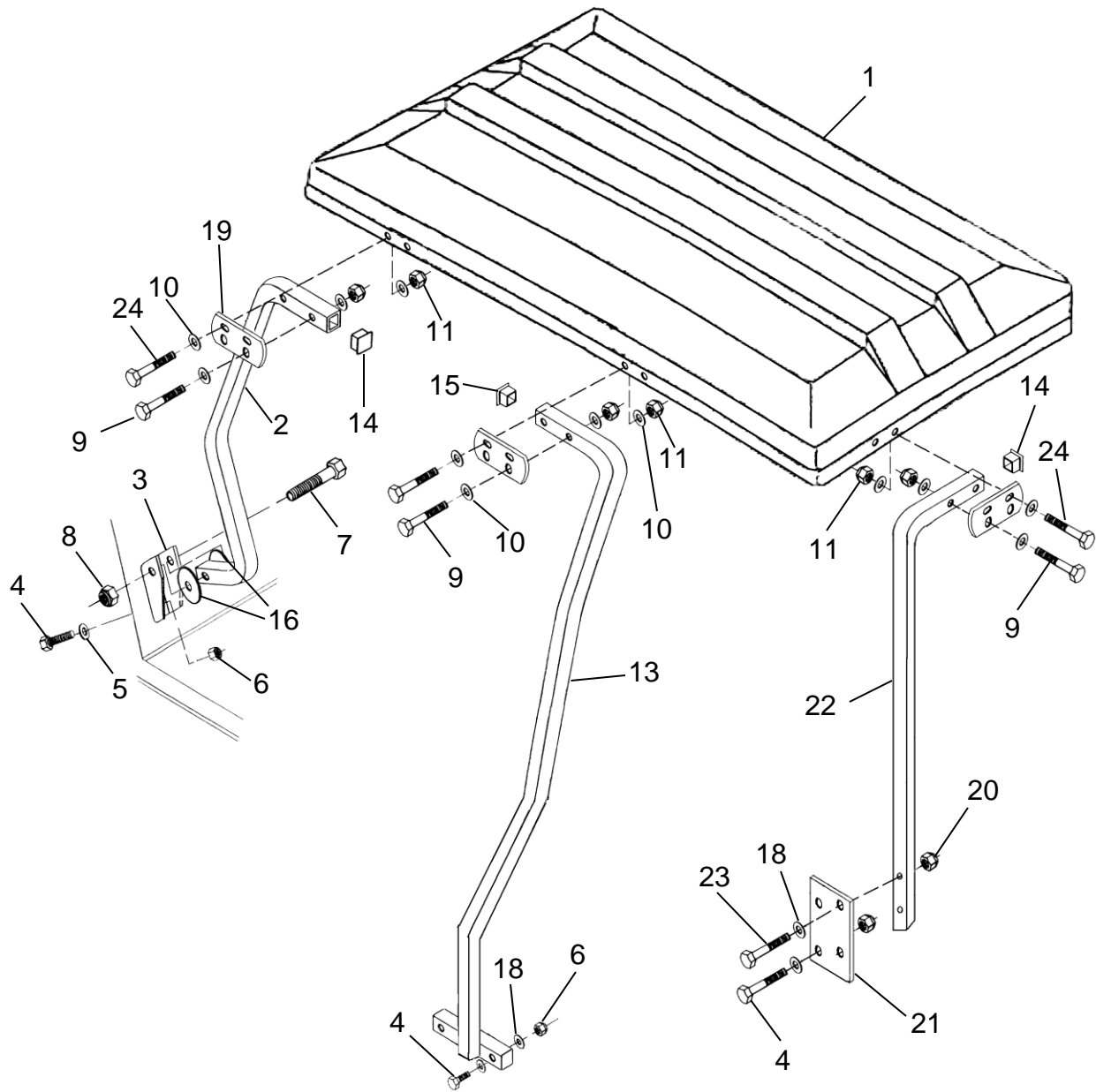


115" SUNTOP, BENCH - EU Cont.

ITEM	CPC P/N	DESCRIPTION	QTY	SEATS P/N
1	89558-97	115" SUNTOP SHELL BIRCH	1	464987
2	89406-98	FRONT SUNTOP SUPPORT	2	510333
3	89537-96	SUNTOP TUBE BRACKET	2	510318
4	3991	SCREW 5/16-18 X 7/8" HEX	8	719643
5	6000-B	WASHER, 1/4 W, PLAIN	4	719771
6	7739	LOCKNUT. 5/16-18 NYLOK	4	719892
7	4720-B	SCREW, 3/8-16 X 3/4" BLACK	2	719696
8	7778	LOCKNUT. 3/8-16 NYLOK	2	719902
9	2872-W	SCREW, 1/4-20 X 1 3/4 HEX	12	719593
10	6703-B	WASHER, 1/4 N-PLAIN	56	719811
11	89463-96	SUPPORT PLATE	6	509212
12	7692	NUT, 1/4-20 NYLOCK	28	719882
13	3860-B	SCREW, HEX CAP 1/4-20X2 1/2"	2	719637
14	5717	COVER SPACER, PLASTIC	2	719762
15*	89403-96	REAR SUNTOP TUBE SUPPORT (RH)	1	510331
16	89400-96	REAR SUNTOP TUBE SUPPORT (LH)	1	510332
17	11433	PLUG FINISH, 7/8"	6	719526
18	3770	SCREW, HEX CAP 1/4-20X2 3/4"	2	719633
19	6346	WASHER, NYLON	4	719791
20	5713	SPACER, .3/8 ID X 27/32 LONG	2	510322
21	749693	BRACKET, SUNTOP TUBE	2	510017
22	89610-97	BESTRO SUNTOP TUBE	2	510198
23	2818	SCREW, 5/16-18X1 1/2 HHC G5	4	719589
24	3993	SCREW, 1/4-20X1 1/4 HHC G5	12	719644
25	6702-B	WASHER 5/16	8	719810
26	7525	NUT, 5/16-18 SERR FLANGE LOCK	8	719864
N/A	89606-97	KIT, UTILITRUCK BIRCH, 115" SUNTOP BENCH	1	190922U

* NOT SHOWN

115" SUNTOP, BUCKET - EU



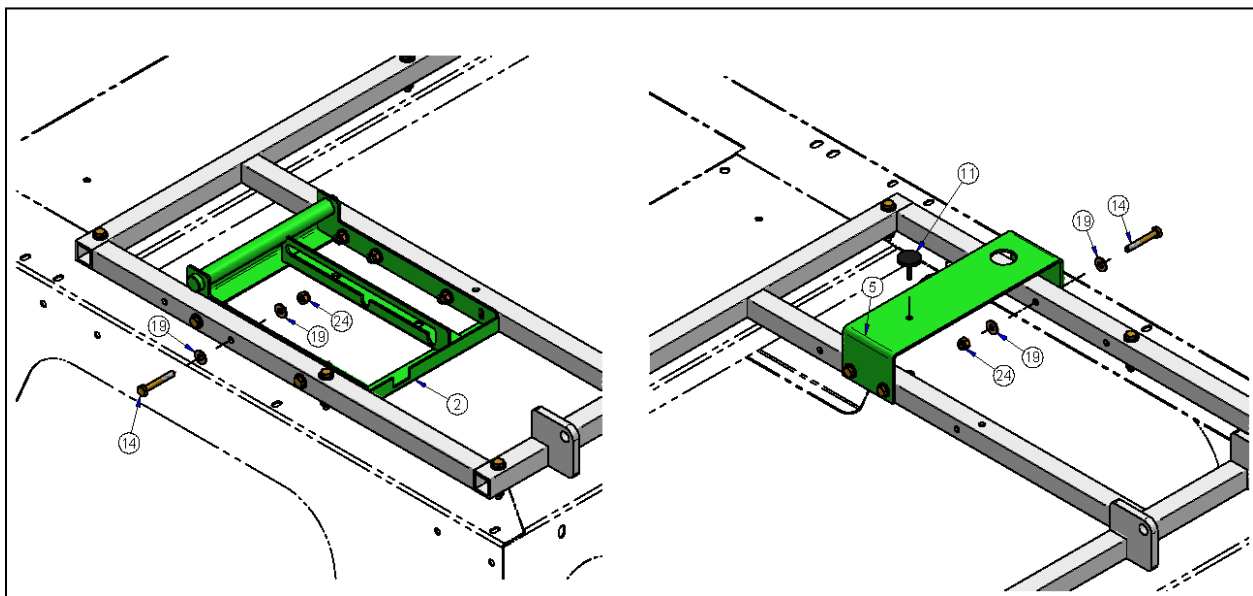
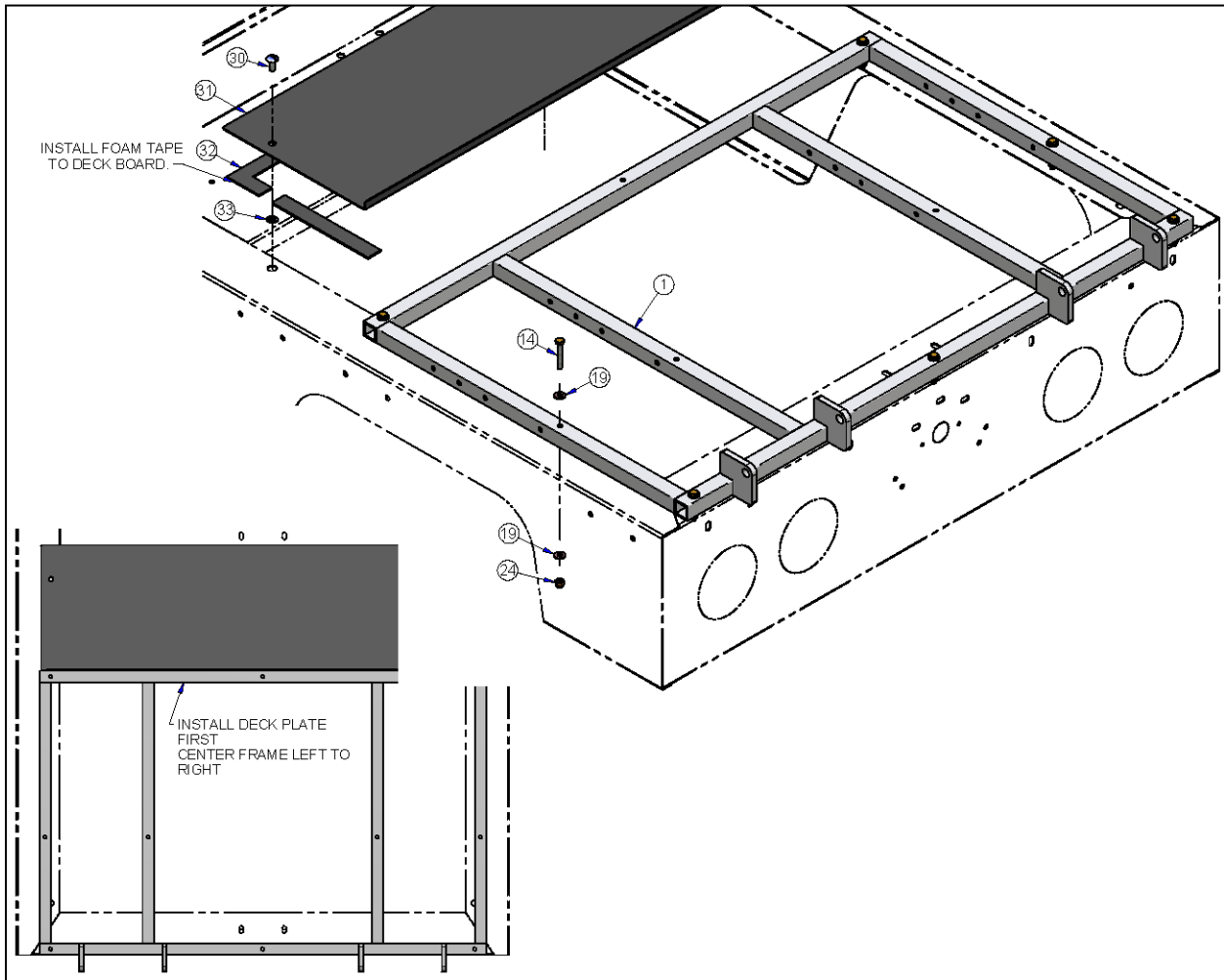
115" SUNTOP, BUCKET - EU Cont.

ITEM	CPC P/N	DESCRIPTION	QTY	SEATS P/N
1	89558-97	115" SUNTOP	1	464987
2	89406-98	FRONT SUNTOP SUPPORT	2	510333
3	89537-96	SUNTOP TUBE BRACKET	2	510318
4	3991	SCREW 5/16-18 X 7/8" HEX	12	719643
5	6000-B	WASHER, ¼ W, PLAIN	4	719771
6	7739	LOCKNUT. 5/16-18 NYLOK	8	719892
7	4720-B	SCREW, 3/8-16 X 3/4" BLACK	2	719696
8	7778	LOCKNUT. 3/8-16 NYLOK	2	719902
9	2872-W	SCREW, 1/4-20X1 1/2 HHC G5	12	719593
10	6703-B	WASHER, ¼ N-PLAIN	48	719811
11	7692	NUT, 1/4-20 NYLOCK	24	719882
12*	89403-96	REAR SUNTOP BRACKET (RH)	1	467519
13	89400-96	REAR SUNTOP BRACKET (LH)	1	467518
14	11433	PLUG FINISH, 7/8"	4	719526
15	11432	PLUG FINISH, 3/4	2	719525
16	6346	WASHER, NYLON	4	719791
17*	52330-86	BUMPER, BLACK (See Note)	2	719738
18	6702-B	WASHER, 5/16	16	719810
19	89463-96	SUPPORT PLATE	6	509212
20	7525	NUT, 5/16-18 SERR FLANGE LOCK	8	719864
21	749693	BRACKET, SUNTOP TUBE	2	510017
22	89610-97	BESTRO SUNTOP TUBE	2	510198
23	2818	SCREW, 5/16-18X1 1/2 HHC G5	4	719589
24	3993	SCREW, 1/4-20X1 1/4 HHC G5	12	719644
N/A	89557-07	KIT, UTILITRUCK 115" BUCKET	1	191447U

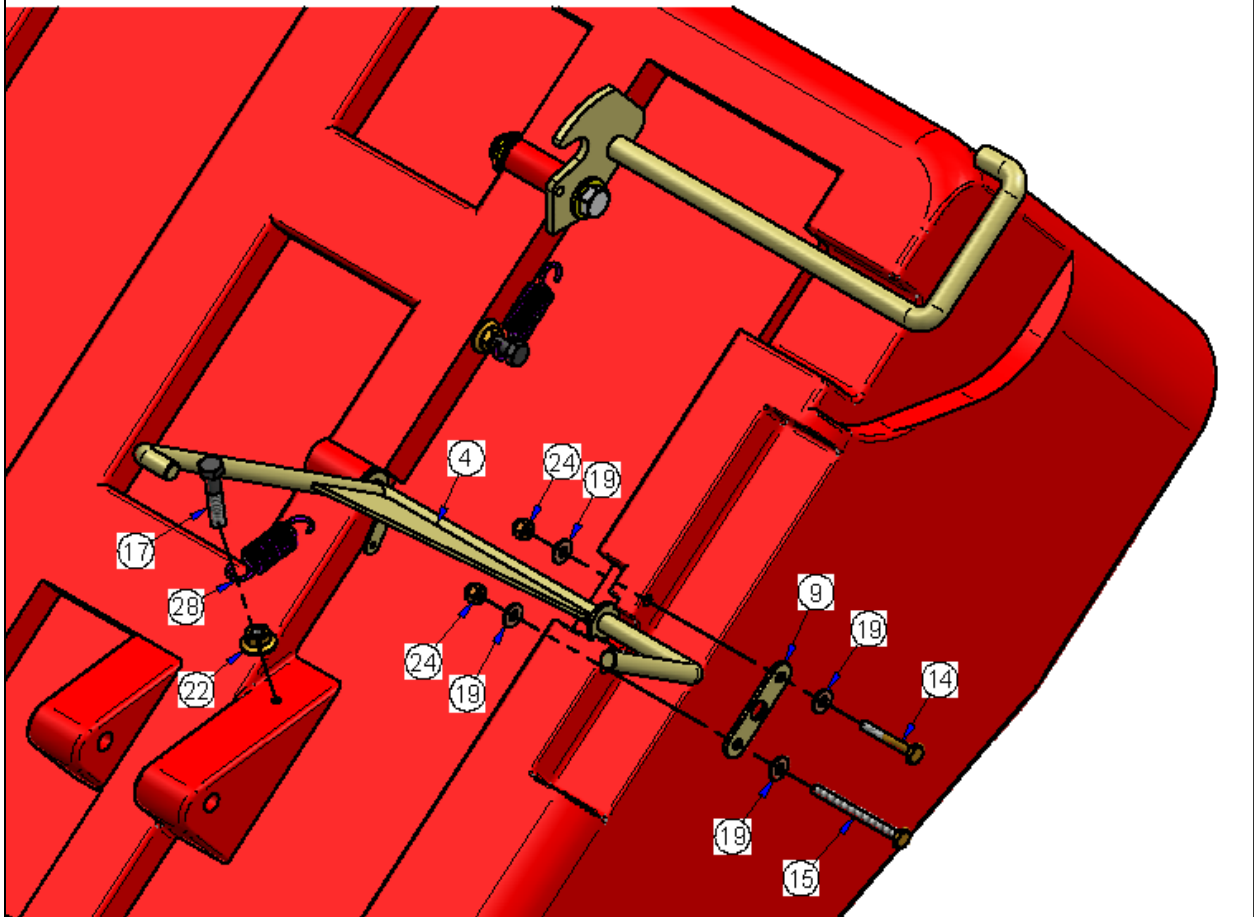
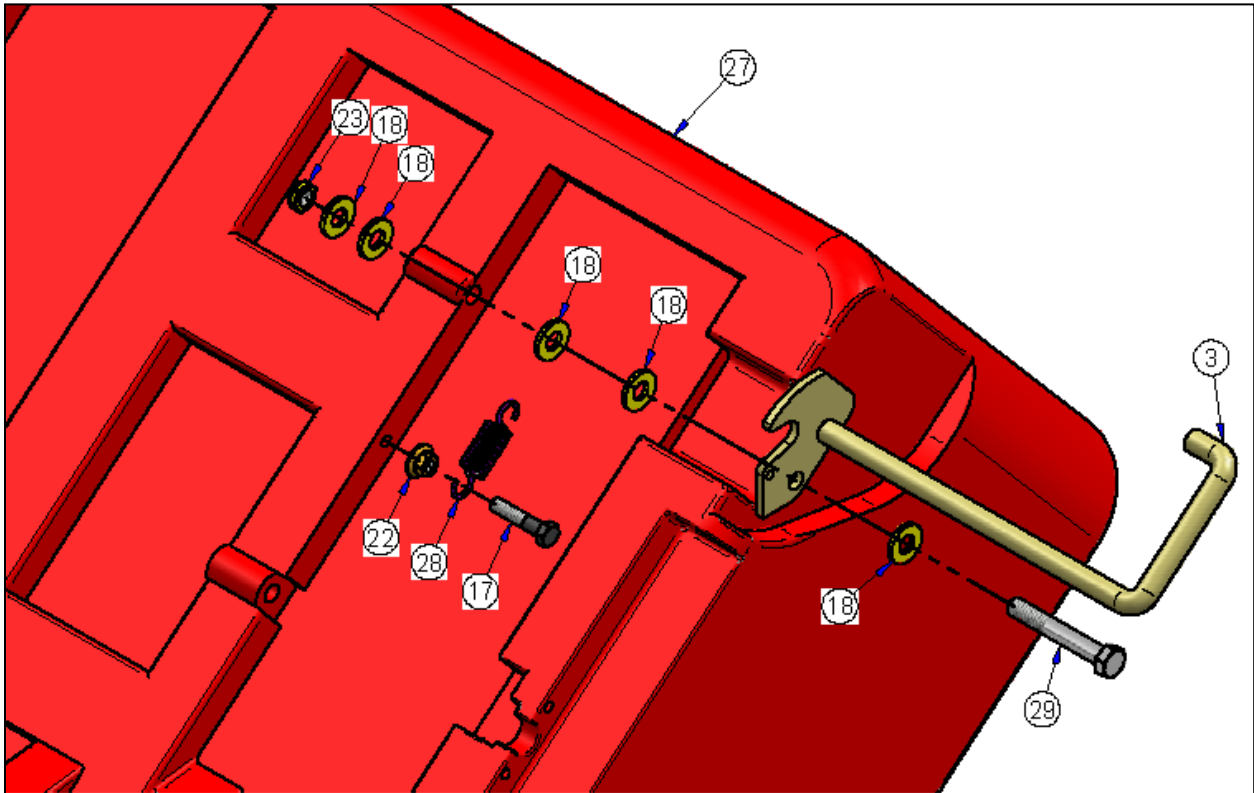
* NOT SHOWN

Note: Place on rear support tubes to prevent contact with vehicle body.

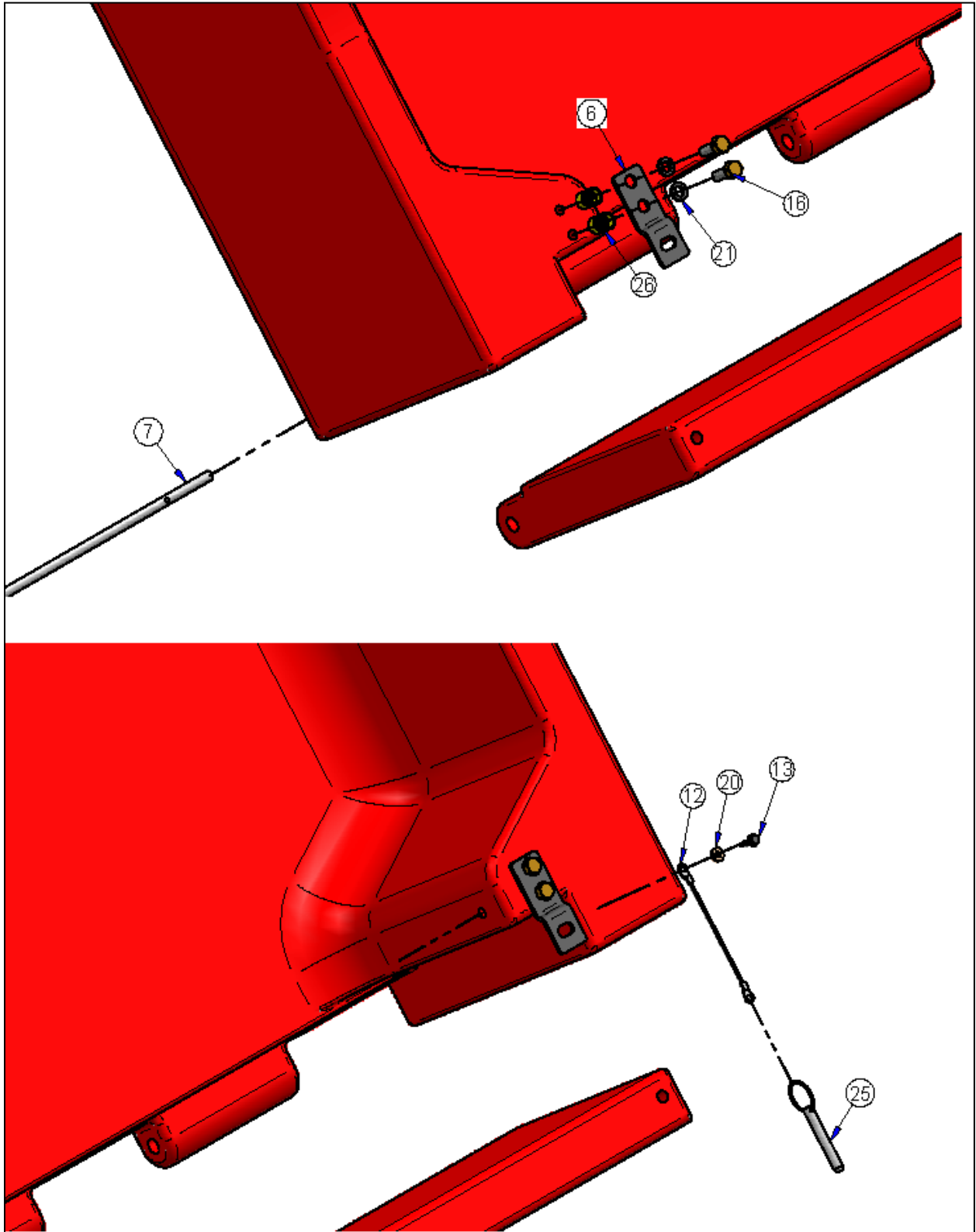
POLY CARGO DUMP BOX- EU
NOTE: Colors shown for contrast purposes only.



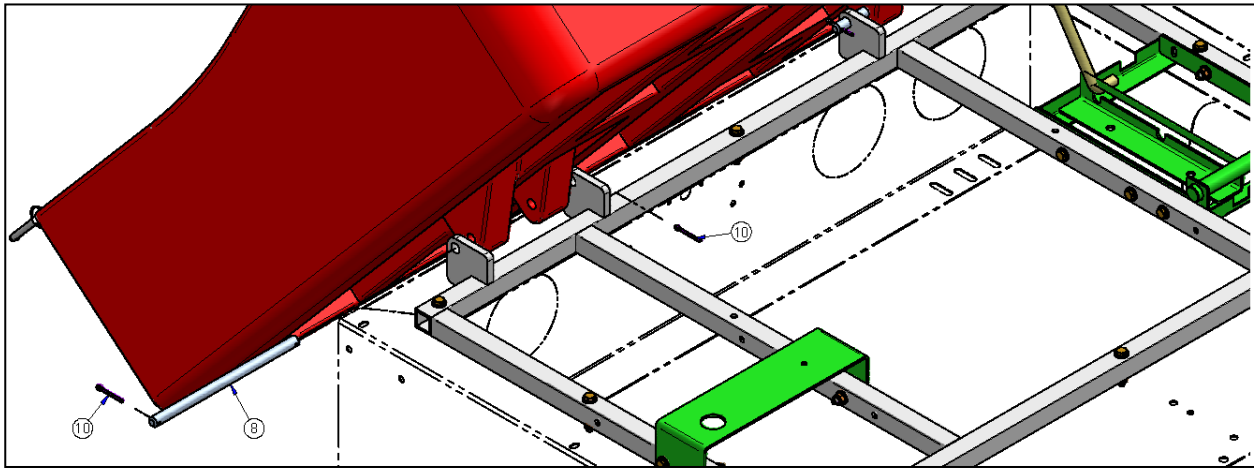
POLY CARGO DUMP BOX- EU (Cont.)



POLY CARGO DUMP BOX- EU (Cont.)



POLY CARGO DUMP BOX- EU (Cont.)



ITEM	CPC P/N	DESCRIPTION	QTY	SEATS P/N
1	52404-07	FRAME	1	308790
2	52402-07	LATCH BAR	1	308791
3	52403-07	LATCH HANDLE	1	308792
4	52406-07	PROP ROD	1	308804
5	52052-07	SUPPORT BRACKET	1	511755
6	52051-07	LATCH BRACKET – TAILGATE	2	511756
7	52054-07	HINGE PIN – TAILGATE	1	511757
8	52055-07	PIVOT ROD	2	511766
9	52409-07	PIVOT PLATE – PROD ROD	1	511781
10	560	PIN 1/8X1 1/4 COTTER	4	707337
11	11402	BOOT, RUBBER BUMPER	1	709011
12	805	LANYARD	2	709767
13	2653-B	SCREW, #10X3/4 HHCS, G5	2	719583
14	3454-BS	SCREW 1/4-20X1 3/4 HHCS G5	19	719623
15	3650	SCREW 1/4-20X3 HHCS G5	1	719627
16	3991	SCREW 5/16-18X7/8 HHC G5	4	719643
17	4720-B	SCREW, 3/8-16X1 3/4 HHCS G5	2	719696
18	6010	WASHER FLT STL .513X1.09X.125	5	719774
19	6703-B	WASHER 1/4	40	719811
20	6912-B	WASHER #8 PLAIN	2	719817
21	7041-B	WASHER, 5/16 LOCK	4	719838
22	7512	NUT 3/8-16 SERR FLANGE GR A	2	719860
23	7685	NUT 1/2-13 NYLOCK	1	719878
24	7686	NUT 1/4-20 NYLOCK GR A	20	719879
25	799	PIN, 5/16X2	2	719918
26	8206	KNURLED INSERT 5/16-18	4	719929
27	50265-07	CARGO BOX W/TAILGATE	1	759837
28	11801	SPRING .734X2.63X.105	2	759838
29	781046PS	SCREW 1/2-13X3 1/4 HHCS G2	1	781046
30	2600	SCREW, 5/16-18X3/4 TSL, M/S, 18-9 S/S	2	781738
31	*	FILLER PLATE	1	511807
32	49713-08	FOAM TAPE	5.5'	709783
33	707317	PUSHNUT, 5/16	2	707317
N/A*	89107-07	KIT, POLY CARGO DUMP BOX	1	191468U

* SPECIAL ORDER

SUNTOP HEATER - EU

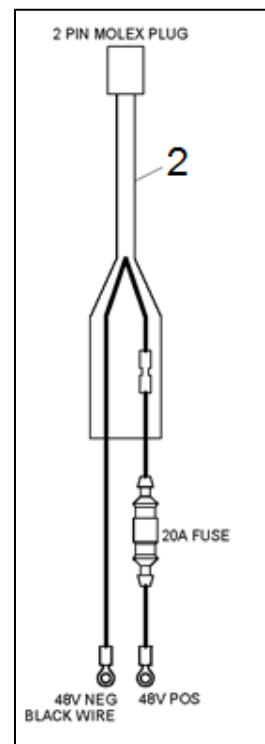
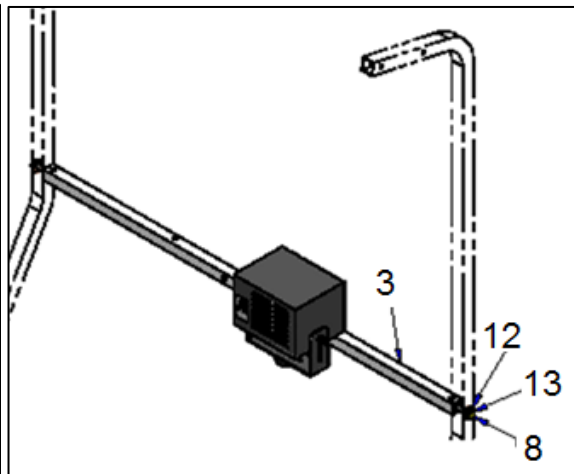
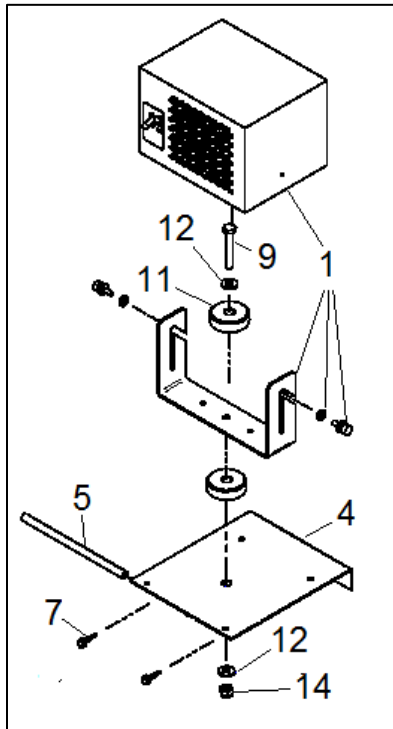
ITEM	CPC P/N	DESCRIPTION	QTY	SEATS P/N
1	65199-11	HEATER 48V	1	467801
2	**69936-15	HEATER HARNESS ASSEMBLY 48V	1	467803
3	57974-02	WINDSHIELD WIPER BAR	1	307119
4	51150-11	DOME LIGHT MOUNT	1	510315
5	29284-04	MOLDING, BLACK 5.50"	1	719355
6*	10043	CABLE, TIE	6	719504
7	2653-B	SCREW, #10X3/4 HWH, TEK	2	719583
8	**57111-11	SCREW, 5/16-18X1 1/2	2	781924
9	3454-BS	SCREW, 1/4-20X1 3/4, HHCS, G5	1	719623
10	6000-B	WASHER, 5/16 USS, STD	2	719771
11	**52329-85	WASHER, .375X1.5X.5 F/W, NYLON	2	719737
12	6703-B	WASHER, 1/4 F/W, SAE, STL	2	719811
13	**7041-8	WASHER, 5/16, REG-SPRG, LOCK	2	719838
14	7686	NUT, 1/4-20 NYLOCK	1	719879

* NOT SHOWN

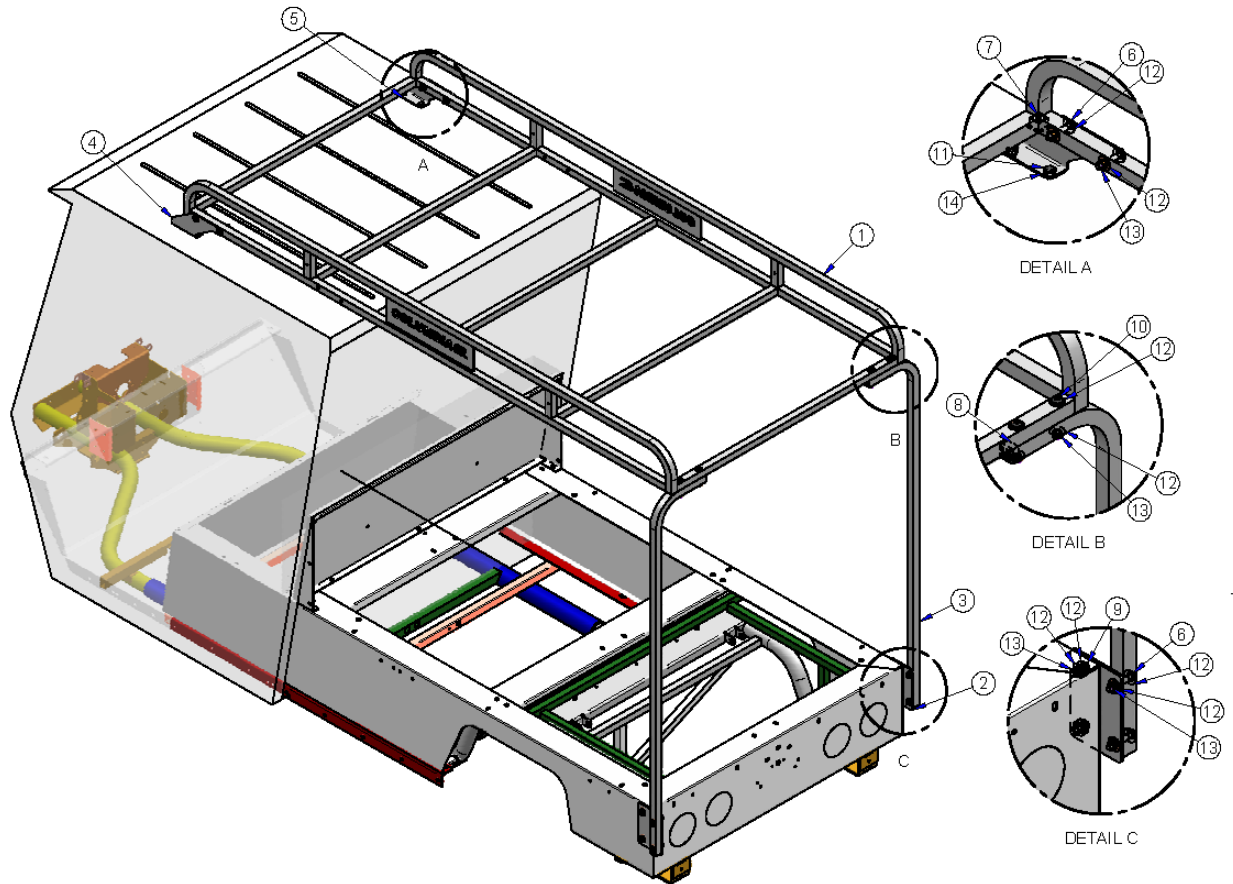
**ITEMS NOT USED WITH VEHICLES HAVING WINDSHIELD WIPERS

NOTE:

1. If the toggle switch is in the Fan/Heat position and no heat is occurring, a circuit reset may be needed. On a heater side panel is a 3/8" hole. Inside is a circuit reset tab. Using a non-conductive device push the tab to reset the circuit.
2. This heater/harness is not interchangeable with heater/harness installed on vehicles prior to 8/10/2010. Connect black wire to 48V negative and red wire to 48V positive.
3. If previous heater had a three (3) wire harness, a new two (2) wire harness (Item 2) is required.



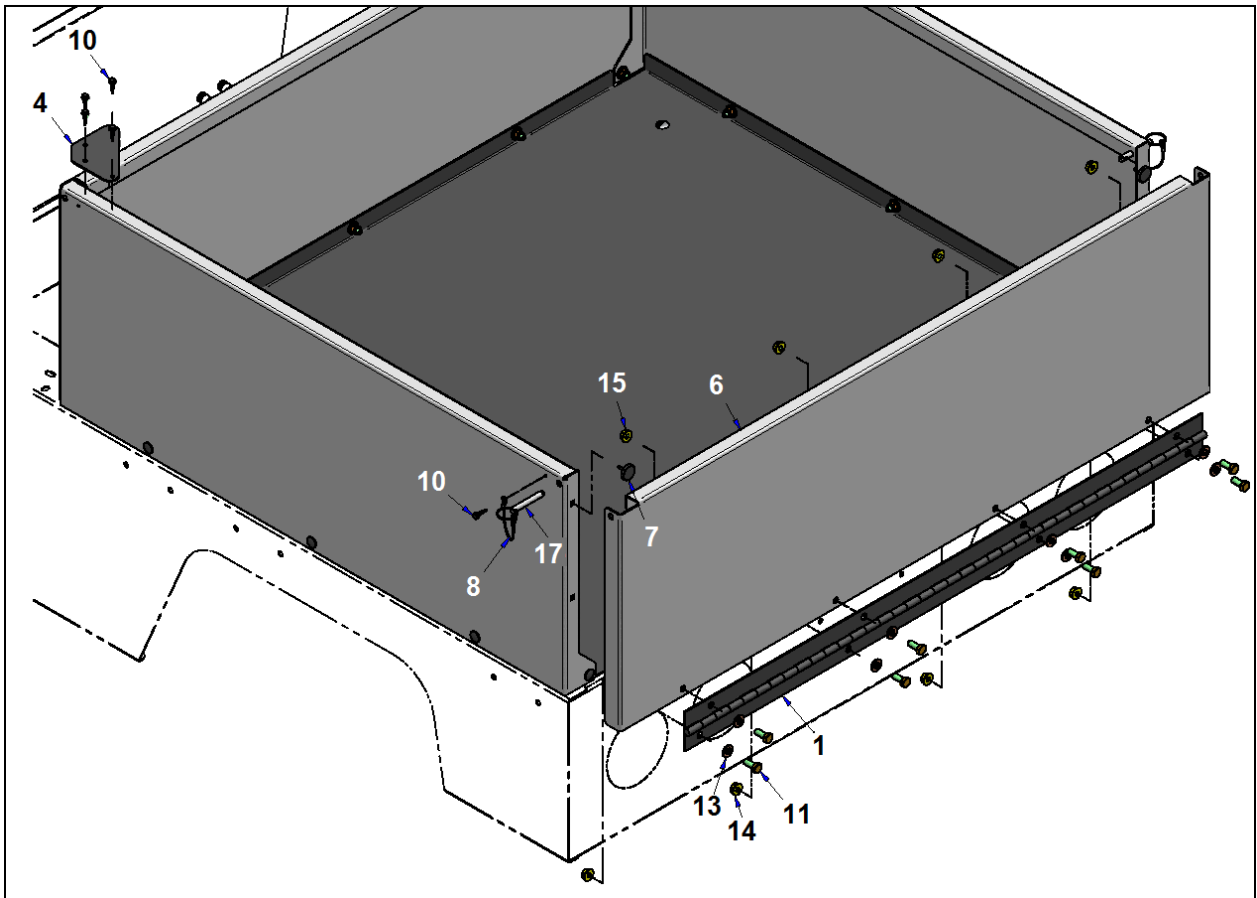
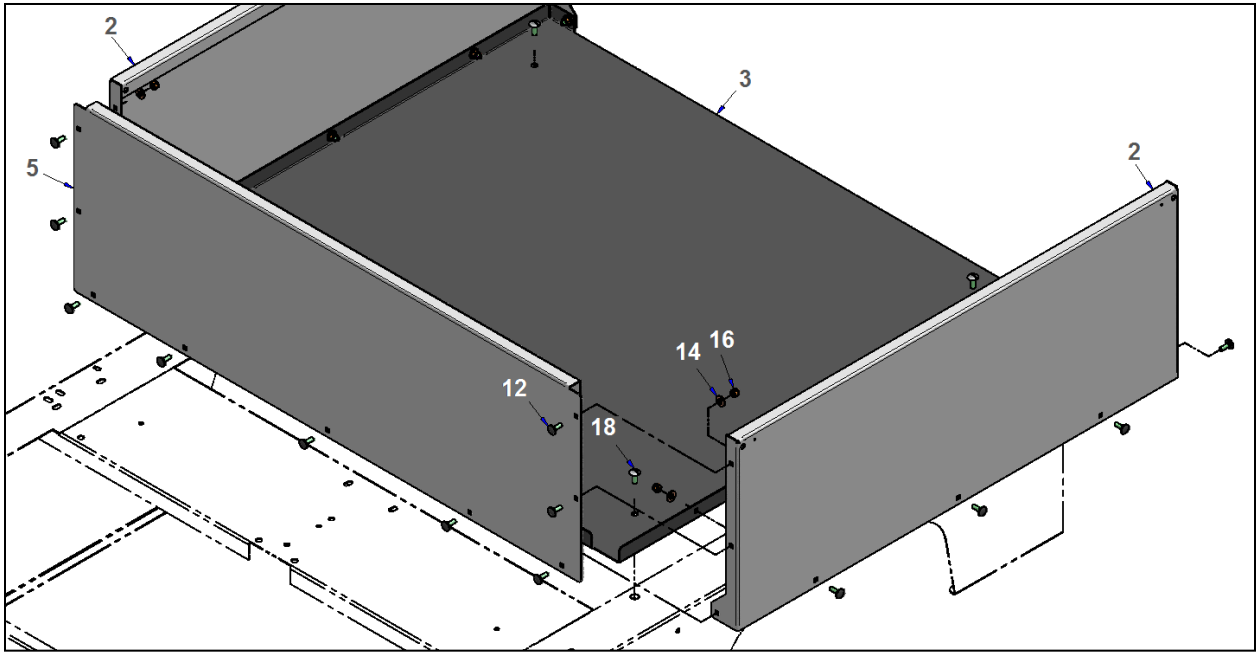
OVERHEAD RACK – EU-L



ITEM	CPC P/N	DESCRIPTION	QTY	SEATS P/N
1	*	OVERHEAD RACK	1	311556B
2	*	SUNTOP TUBE MOUNTING BRACKET	2	510017
3	*	UPRIGHT	2	515175
4	*	CAB FRONT LH BRACKET	1	515177
5	*	CAB FRONT RH BRACKET	1	515178
6	5207-BS	SCREW, 5/16-18 X 2 PPH	8	719730
7	11432	CAPLUG	4	719525
8	11433	CAPLUG	2	719526
9	3991	SCREW, 5/16-18X7/8, HHCS, G5	4	719643
10	5208-B	SCREW, 5/16-18X2-1/2, PPH	4	719731
11	5452-BS	SCREW, 5/16-18 X 5/8, CARR, G5	8	719751
12	6702-B	WASHER ,5/16	24	719810
13	7739	NUT, 5/16-18, L/N,NYLOK,NE,GA	12	719892
14	7750	NUT, 5/16-18 FLANGE LOCK	8	719897

* SPECIAL ORDER

CARGO BOX - EU-S&L

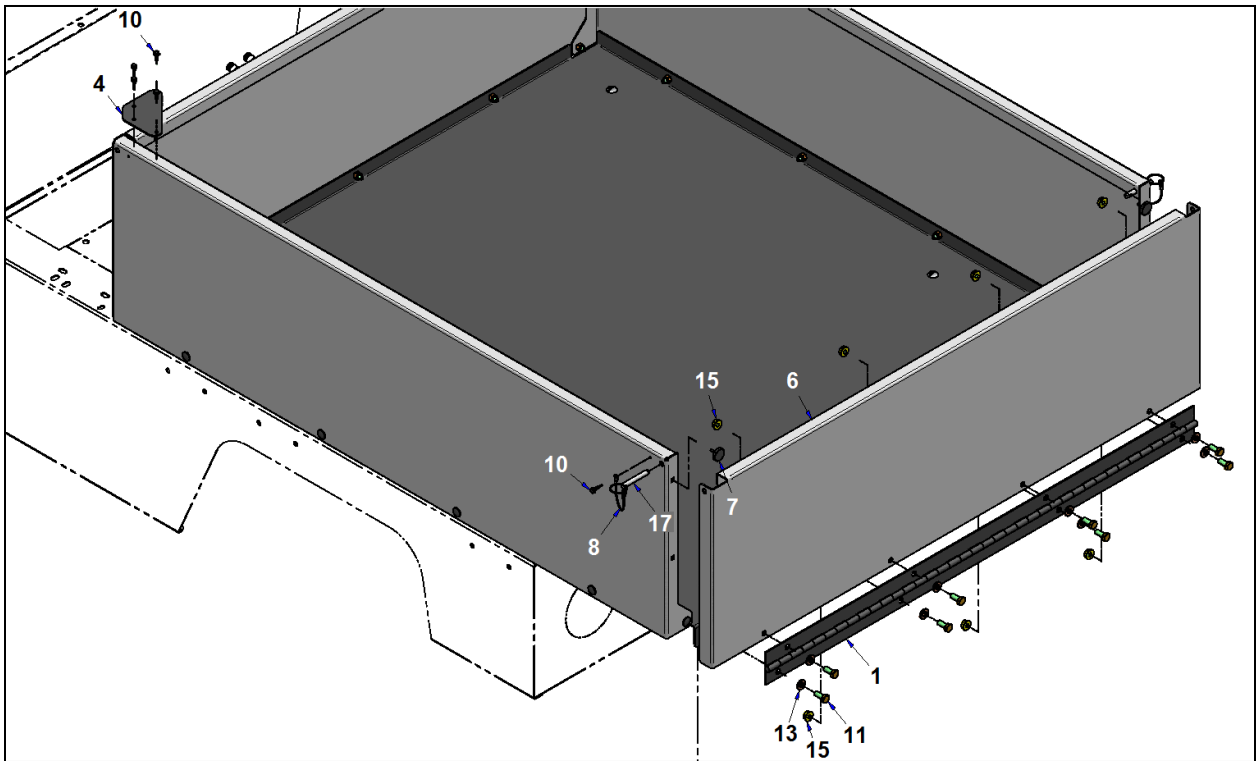
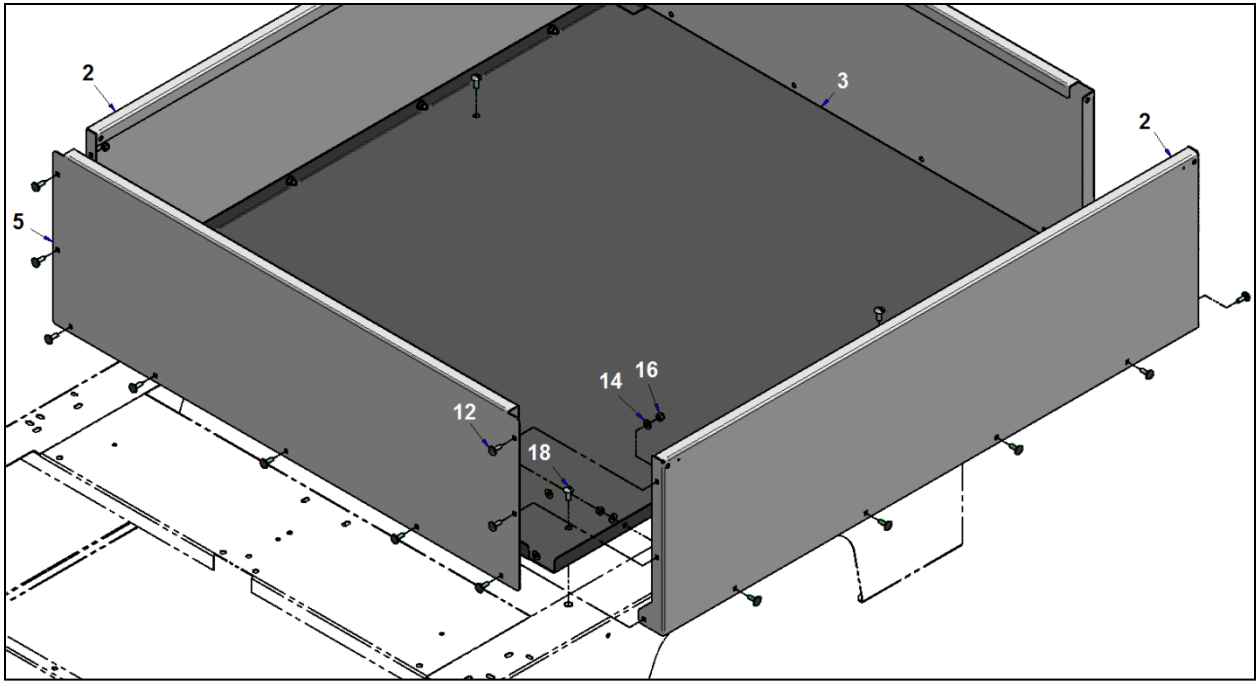


CARGO BOX – EU-S&L (Cont.)

ITEM	CPC P/N	DESCRIPTION	QTY-S	QTY-L	SEATS P/N
1	52953-92A	HINGE 2.5 X 38" -(8) .375 HOLES	1	1	303246
2	*	SIDE, STEEL BOX, UTL-S	2	N/A	309487
2A	*	SIDE, STEEL BOX, UTL-L (Not Shown)	N/A	2	309488
3	*	BOTTOM, STEEL BOX, UTL-S	1	N/A	309553
3A	*	BOTTOM, STEEL BOX, UTL-L (Not Shown)	N/A	1	309551
4	50152-10	BRKT, CORNER REINFORCEMENT	2	2	509532
5	*	FRONT, STEEL BOX, UTL	1	1	512834
6	*	TAIL GATE, STEEL BOX, UTL	1	1	512835
7	11402	BUMPER, RUBBER BOOT	2	2	709011
8	805	LANYARD, HITCH PIN, 4" LONG	2	2	709767
9	49713-08	FOAM TAPE, 1/8 X 1 (Not Shown)	206"	211.6"	709783
10	2653-B	SCREW, #10 X 3/4 HWH TEK #3	10	10	719583
11	3987-BS	SCREW, 5/16-18 X 3/4 HHCS, GRADE 5	8	8	719642
12	5405-B	CARRIAGE BOLT 1/4-20 X 3/4 GR 5 HC-BK	17	21	719747
13	6702-B	WASHER,5/16,SAE,F/W,BLK MAX	8	8	719810
14	6703-B	WASHER, 1/4SAE	17	21	719811
15	7525	LOCKNUT, 5/16-18 HEX FLG WHIZ	8	8	719864
16	7686	NUT, 1/4-20, NYLOCK, GA, YWZC	17	21	719879
17	799	PIN,5/16X2,COTTERLESS HITCH,ZC	2	2	719918
18	2600	SCREW,5/16-18X3/4,TSL,M/S,18-8,S/S	4	4	781738
19	76101-09	KIT, CARGO EXPRESS, SHORT	1	N/A	191744U
20	76103-09	KIT, CARGO EXPRESS, LONG	N/A	N/A	191746U

* SPECIAL ORDER

EXTENDED CARGO BOX - EU- S&L



EXTENDED CARGO BOX – EU - S&L (Cont.)

ITEM	CPC P/N	DESCRIPTION	QTY-S	QTY-L	SEATS P/N
1	52953-92A	HINGE 2.5 X 38" -(8) .375 HOLES	1	1	303246
2	*	SIDE, STEEL BOX, UTL-S EXT	2	N/A	309489
2A	*	SIDE, STEEL BOX, UTL-L EXT (Not Shown)	N/A	2	309490
3	*	BOTTOM, STEEL BOX, UTL-S EXT	1	N/A	309550
3A	*	BOTTOM, STEEL BOX, UTL-L EXT (Not Shown)	N/A	1	309552
4	50152-10	BRKT, CORNER REINFORCEMENT	2	2	509532
5	*	FRONT, STEEL BOX, UTL	1	1	512834
6	*	TAIL GATE, STEEL BOX, UTL	1	1	512835
7	11402	BUMPER, RUBBER BOOT	2	2	709011
8	805	LANYARD, HITCH PIN, 4" LONG	2	2	709767
9	49713-08	FOAM TAPE, 1/8 X 1 (Not Shown)	11.3'	17.7'	709783
10	2653-B	SCREW, #10 X 3/4 HWH TEK #3	10	10	719583
11	3987-BS	SCREW, 5/16-18 X 3/4 HHCS, GRADE 5	8	8	719642
12	5405-B	CARRIAGE BOLT 1/4-20 X 3/4 GR 5 HC-BK	19	23	719747
13	6702-B	WASHER,5/16,SAE,F/W,BLK MAX	8	31	719810
14	6703-B	WASHER 1/4	19	23	719811
15	7525	LOCKNUT, 5/16-18 HEX FLG WHIZ	8	8	719864
16	7686	NUT, 1/4-20, NYLOCK, GA, YWZC	17	21	719879
17	799	PIN,5/16X2,COTTERLESS HITCH,ZC	2	2	719918
18	2600	SCREW,5/16-18X3/4,TSL,M/S,18-8,S/S	4	4	781738
19	76102-96	KIT, CARGO BOX -S	1	N/A	191745U
20	76104-96	KIT, CARGO BOX - L	N/A	1	191747U

* SPECIAL ORDER